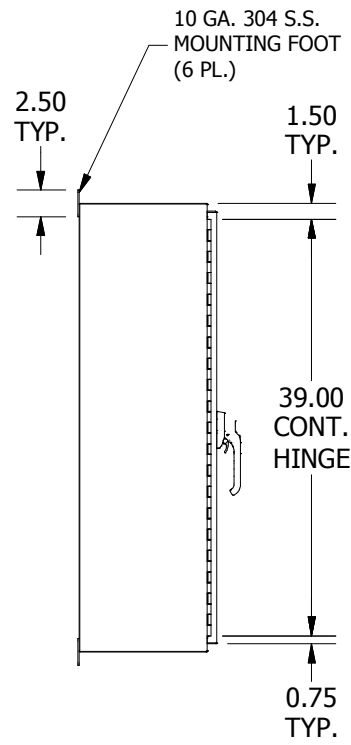
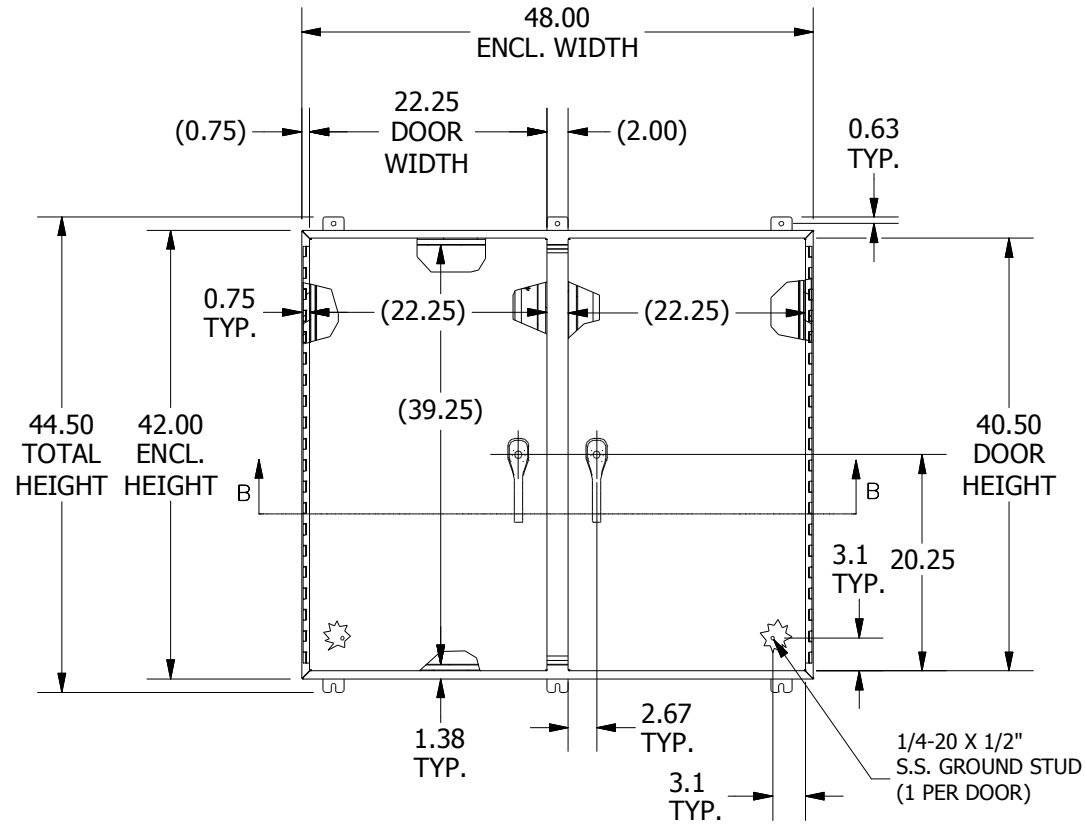


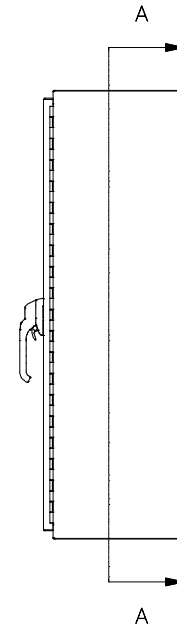
TOP VIEW



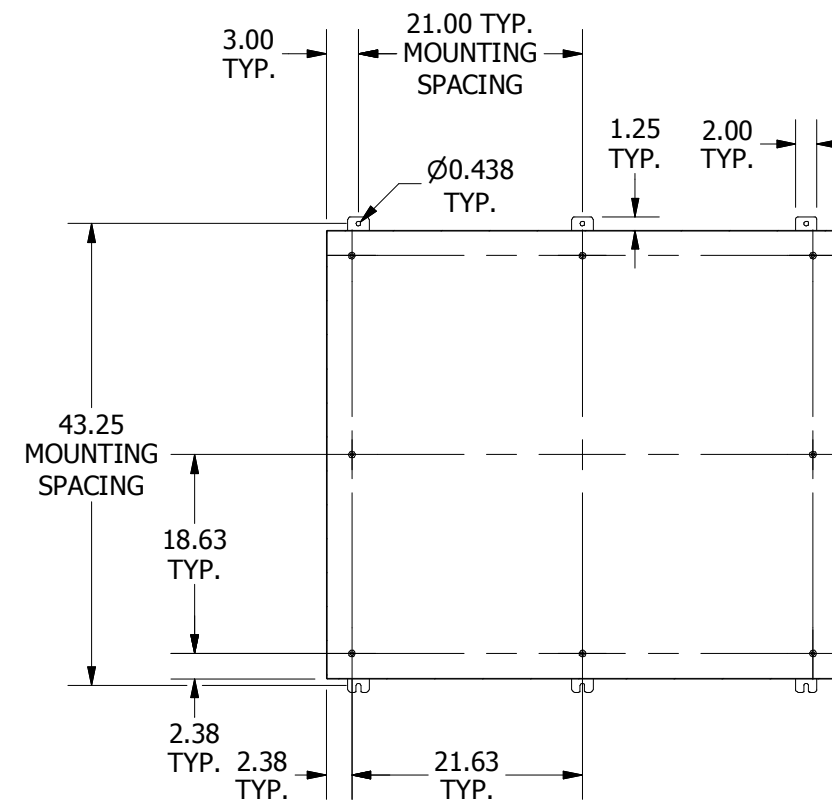
LEFT SIDE VIEW



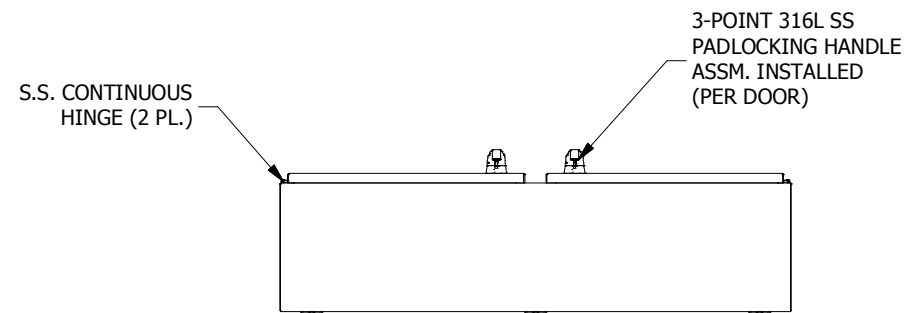
FRONT VIEW



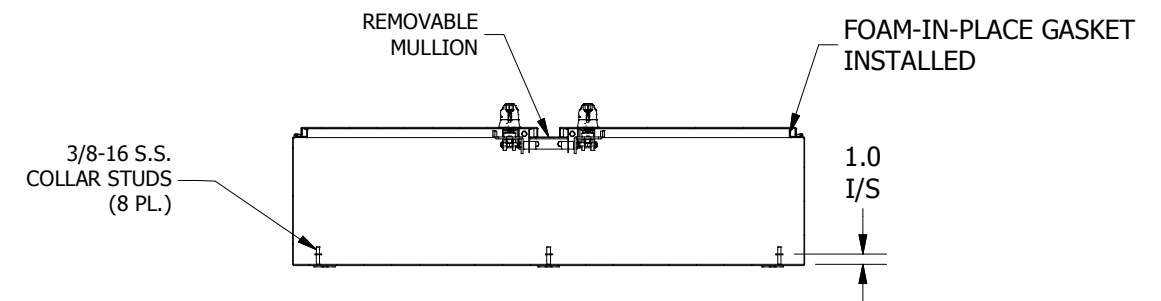
RIGHT SIDE VIEW



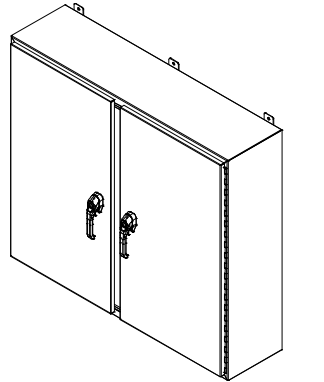
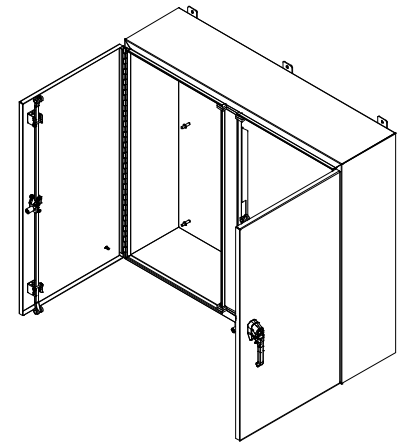
SECTION A-A
(INSIDE BACK VIEW OF ENCL.)



BOTTOM VIEW



SECTION B-B
(INSIDE VIEW OF TOP)



PART#: SSN4424812WF3PT
(DATA SUBJECT TO CHANGE WITHOUT NOTICE)

THIS DRAWING IS PROPERTY OF HUBBELL INC. WIEGMANN
ALL INFORMATION IS PROPRIETARY AND NOT TO BE DUPLICATED