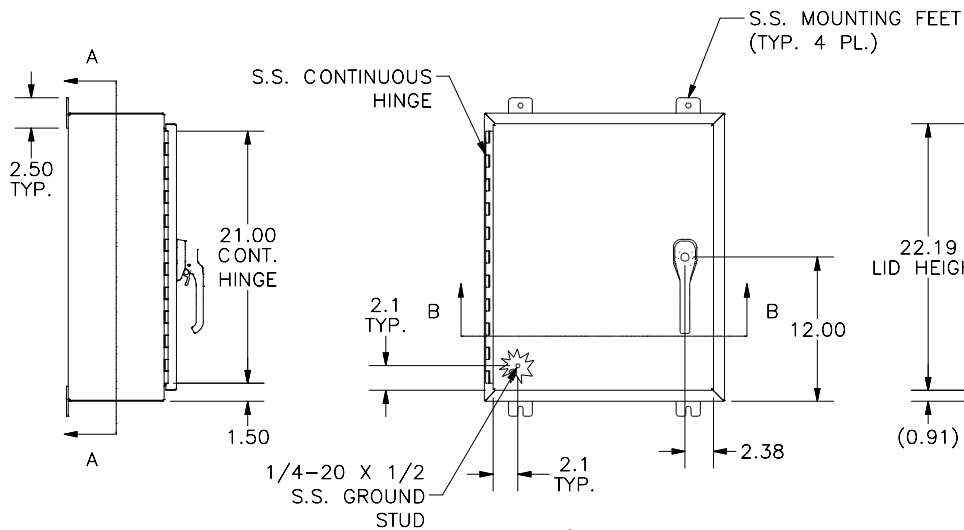
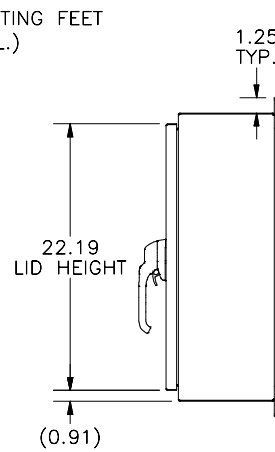


TOP VIEW

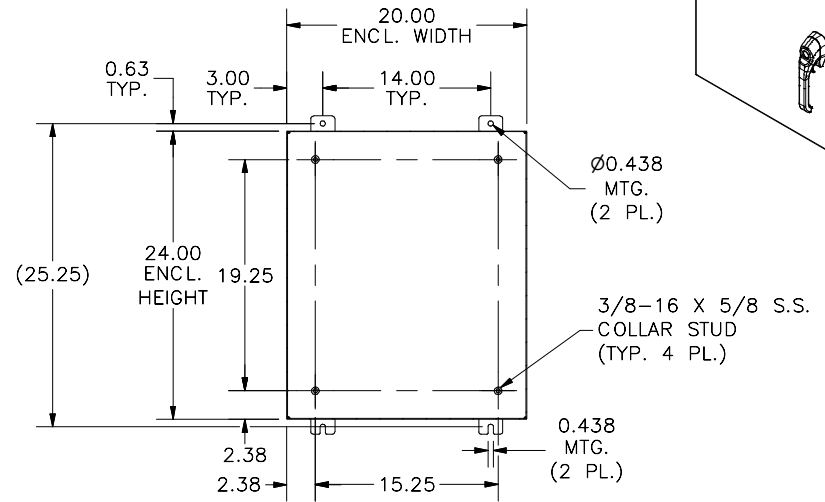


LEFT SIDE VIEW

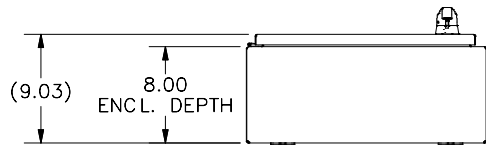
FRONT VIEW



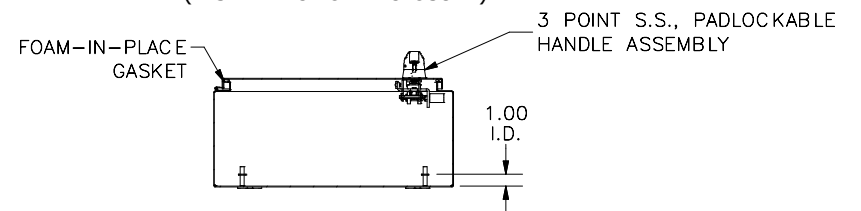
RIGHT SIDE VIEW



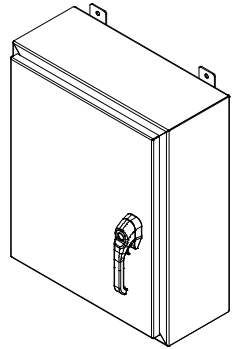
SECTION A-A
(INSIDE BACK OF ENCLOSURE)



BOTTOM VIEW



SECTION B-B
(INSIDE TOP OF ENCLOSURE)



PART#: SSN42420083PT
(DATA SUBJECT TO CHANGE WITHOUT NOTICE)

THIS DRAWING IS PROPERTY OF HUBBELL INC. WIEGMANN
ALL INFORMATION IS PROPRIETARY AND NOT TO BE DUPLICATED