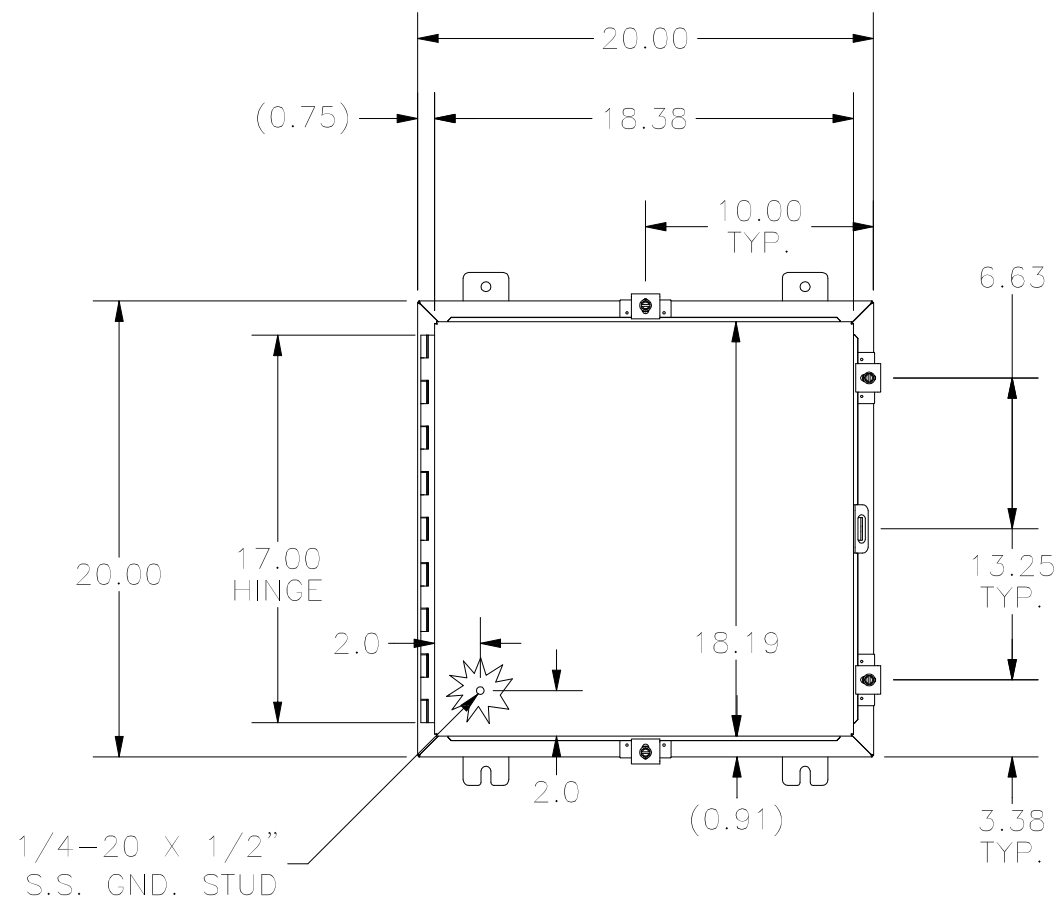
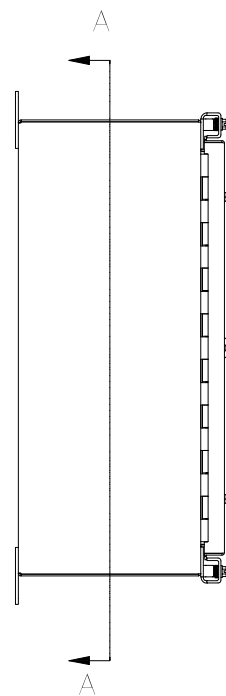


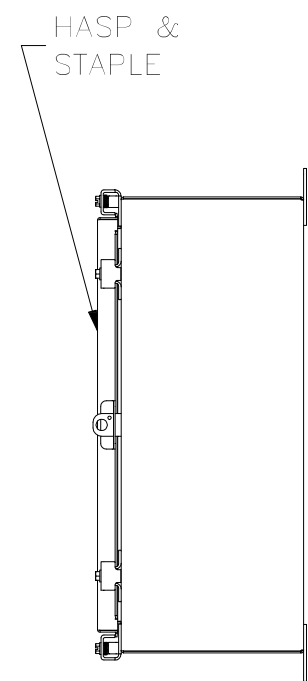
TOP VIEW



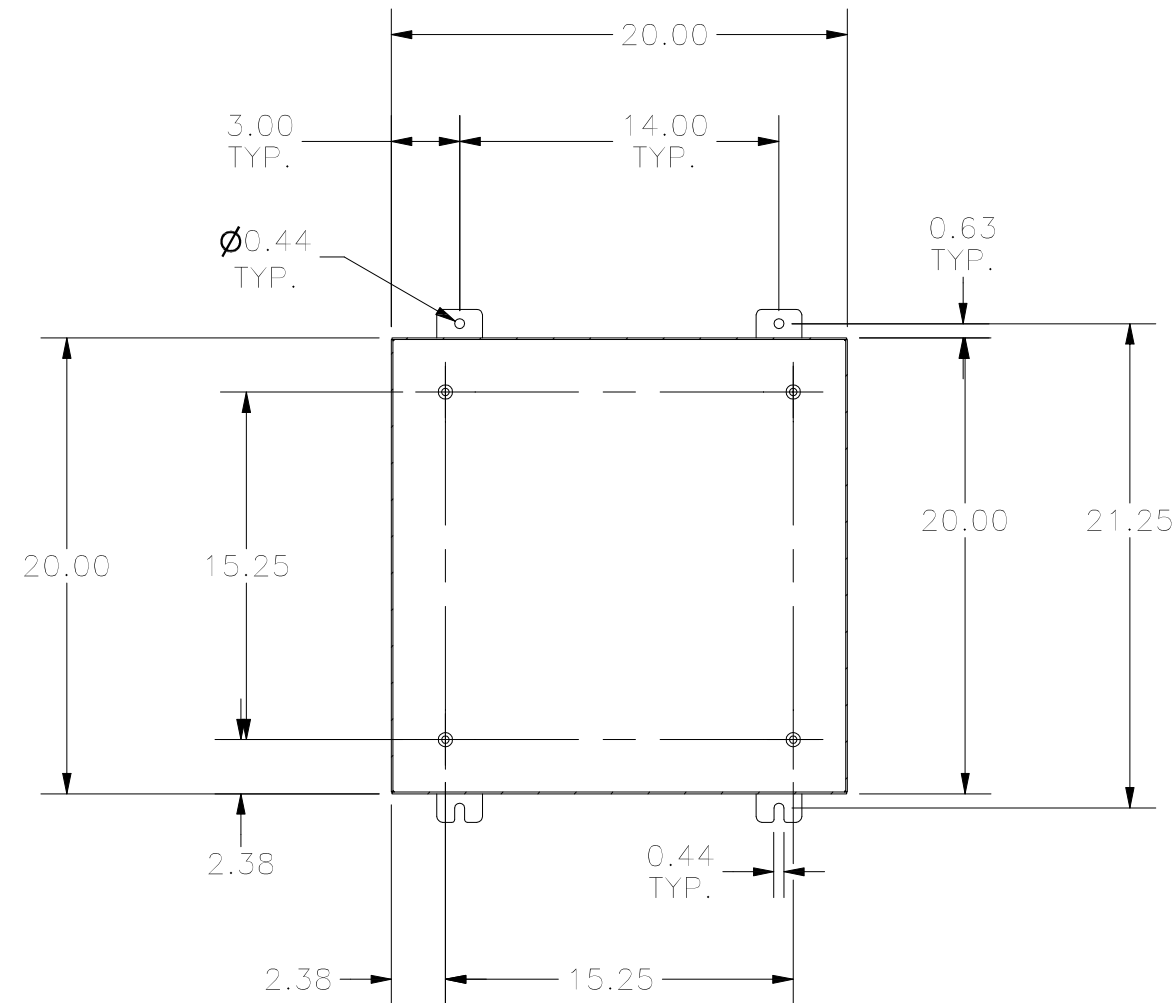
FRONT VIEW



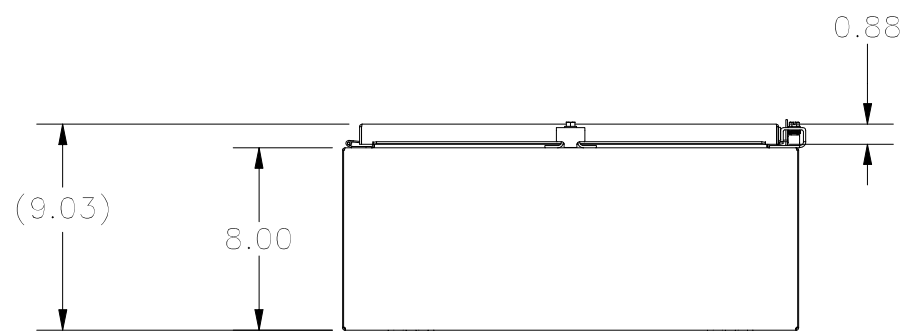
LEFT SIDE



RIGHT VIEW



SECTION A-A



BOTTOM VIEW

PART#: SSN4202008A
 (DATA SUBJECT TO CHANGE WITHOUT NOTICE)

THIS DRAWING IS PROPERTY OF HUBBELL INC. WIEGMANN
 ALL INFORMATION IS PROPRIETARY AND NOT TO BE DUPLICATED