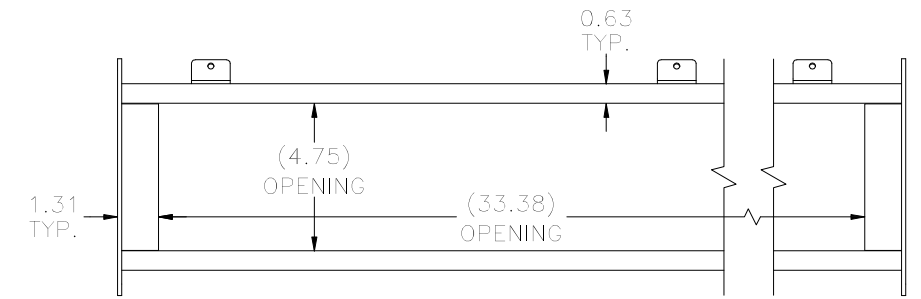
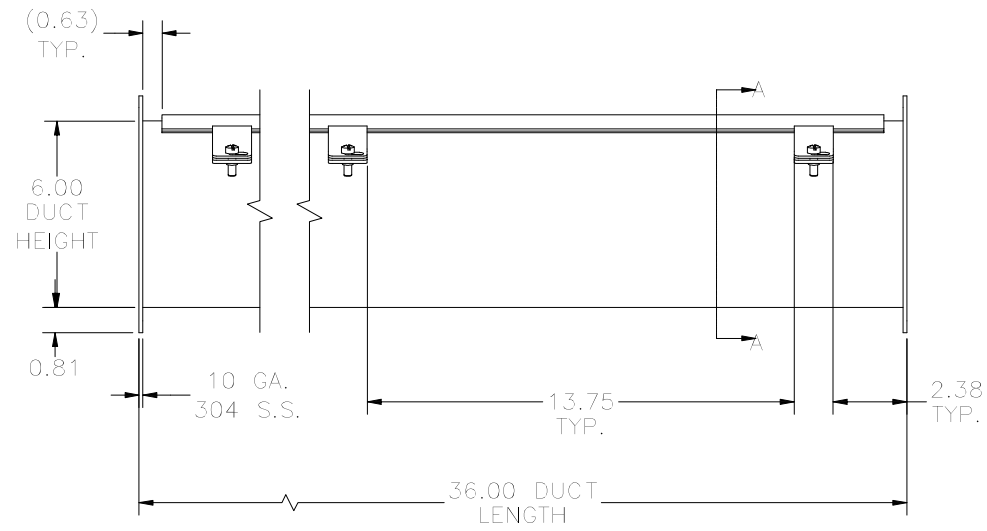


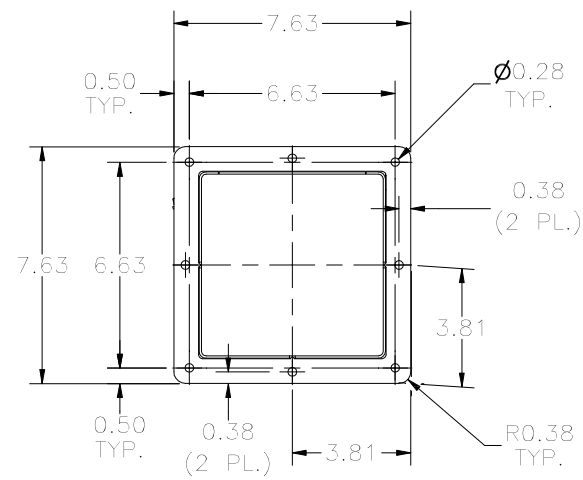
TOP VIEW



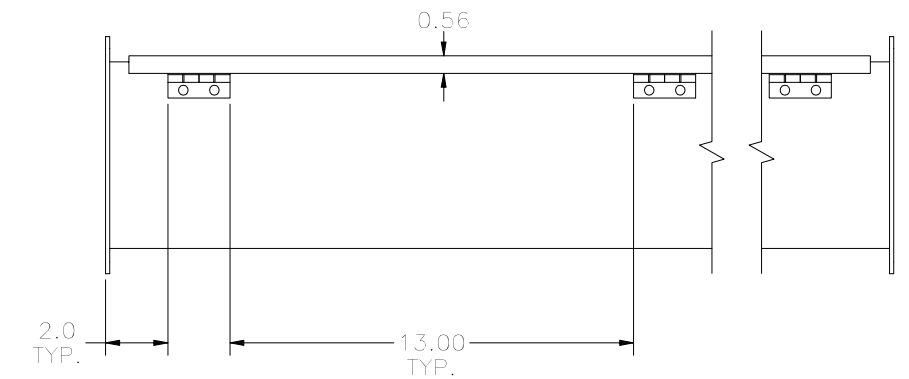
TOP VIEW (LID ASSM. NOT SHOWN)



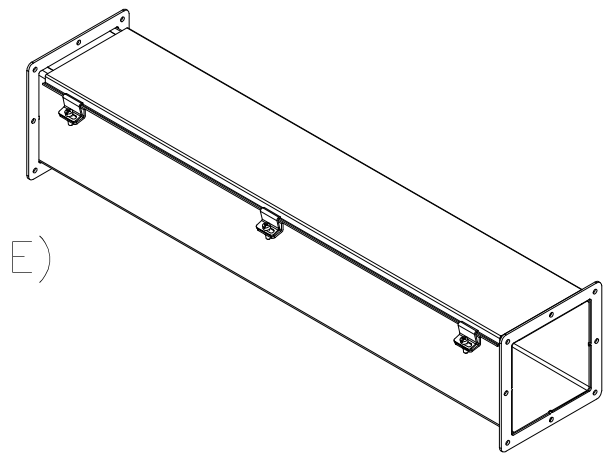
FRONT VIEW



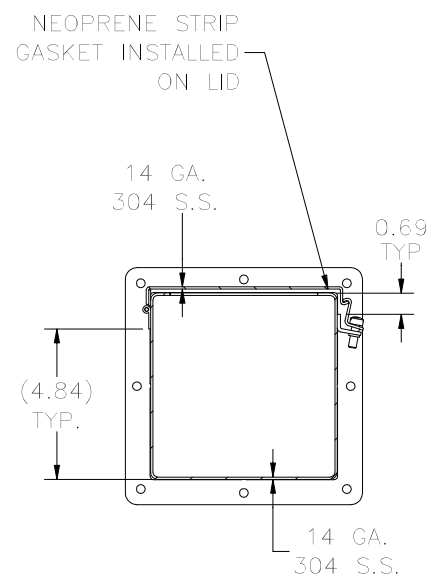
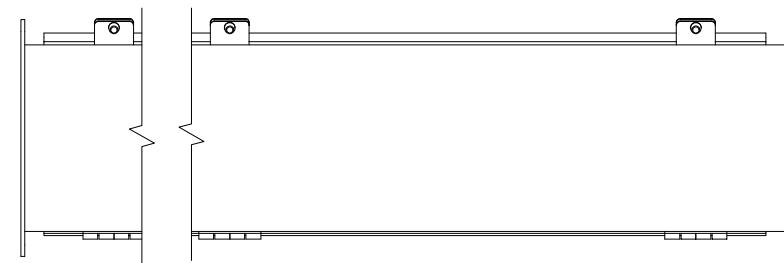
RIGHT SIDE VIEW



REAR VIEW



BOTTOM VIEW



SECTION A-A VIEW

PART#: SSJW63
 (DATA SUBJECT TO CHANGE WITHOUT NOTICE)

THIS DRAWING IS PROPERTY OF HUBBELL INC. WEIGMANN
 ALL INFORMATION IS PROPRIETARY AND NOT TO BE DUPLICATED