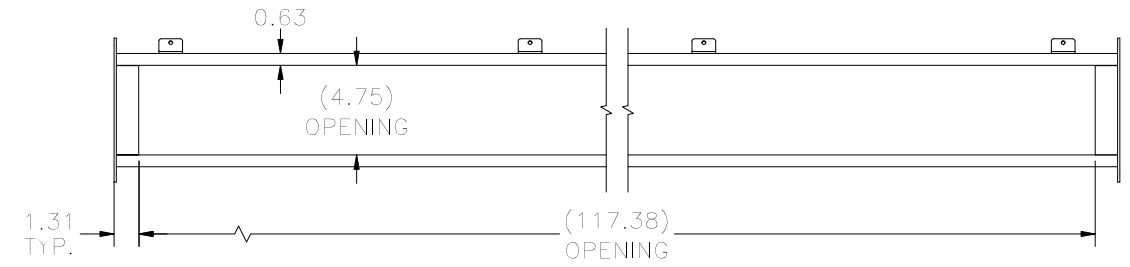
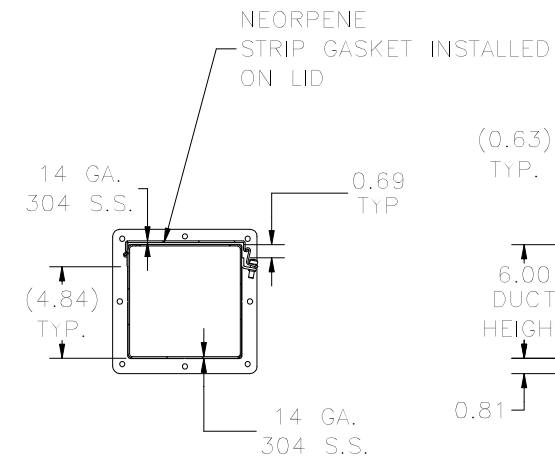


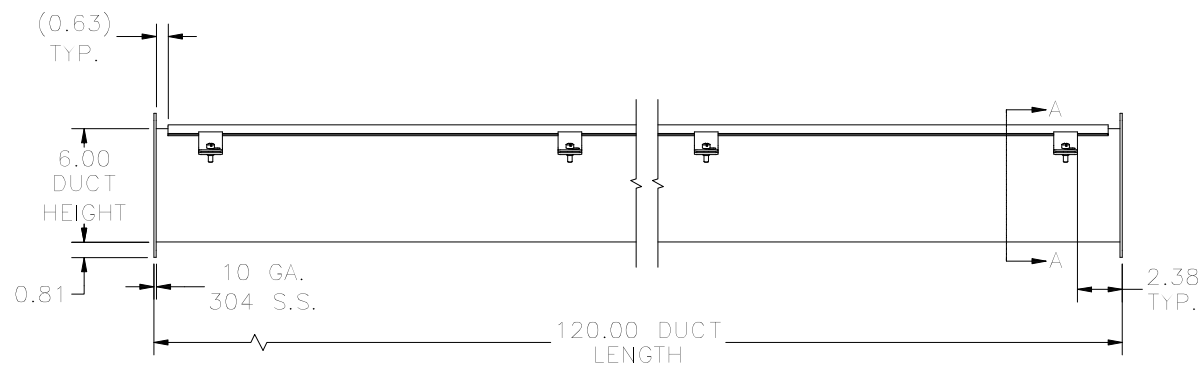
TOP VIEW



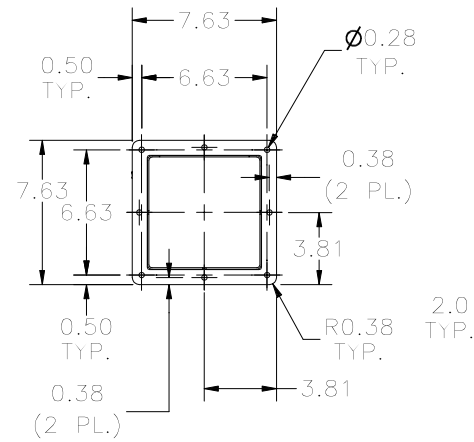
TOP VIEW (LID ASSM. NOT SHOWN)



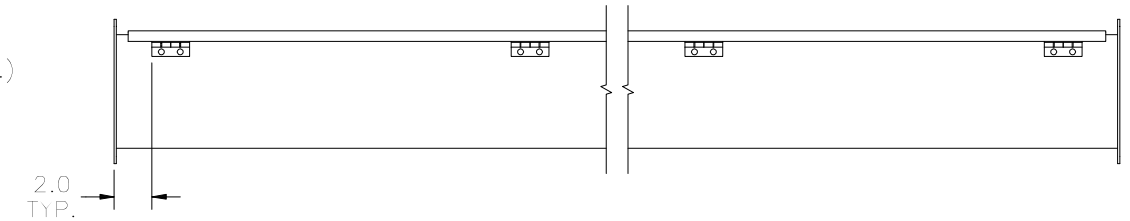
SECTION A-A VIEW



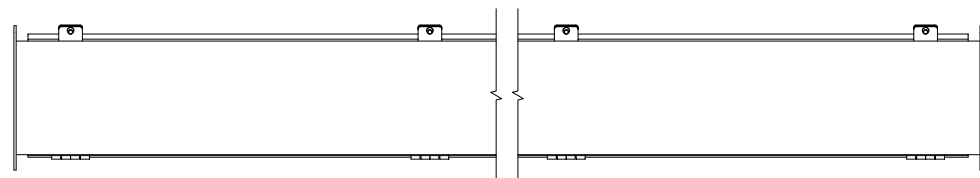
FRONT VIEW



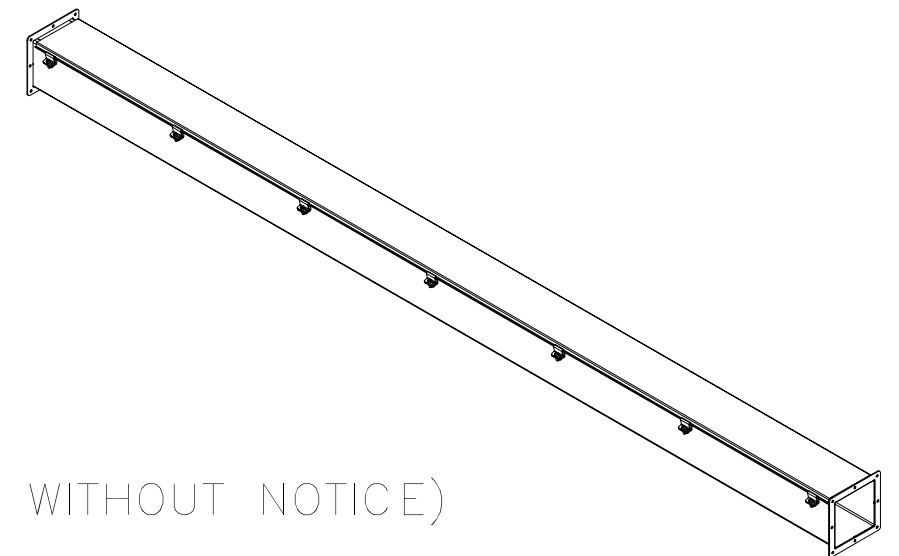
RIGHT SIDE VIEW



REAR VIEW



BOTTOM VIEW



PART#: SSJW610
 (DATA SUBJECT TO CHANGE WITHOUT NOTICE)

THIS DRAWING IS PROPERTY OF HUBBELL INC. WEIGMANN
 ALL INFORMATION IS PROPRIETARY AND NOT TO BE DUPLICATED