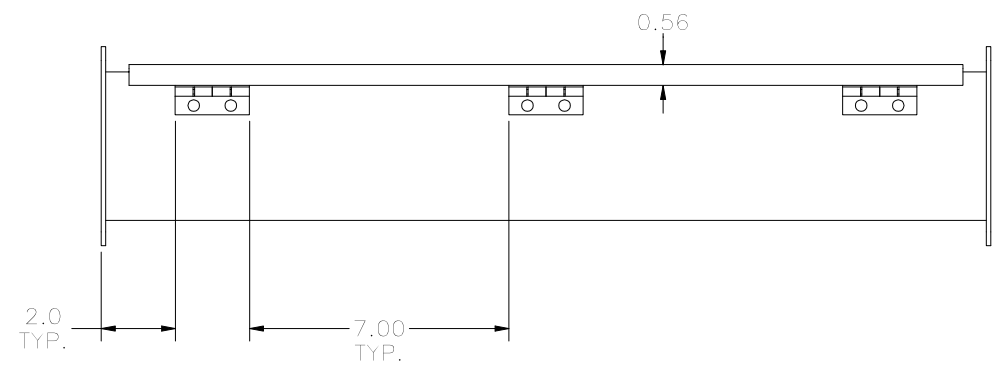


TOP VIEW (LID ASSM. NOT SHOWN)

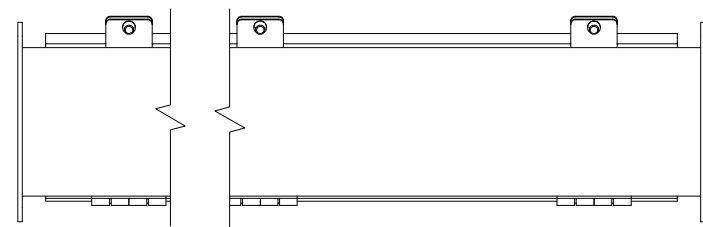


SECTION A-A VIEW

FRONT VIEW

RIGHT SIDE VIEW

REAR VIEW



BOTTOM VIEW

PART#: SSJW42
 (DATA SUBJECT TO CHANGE WITHOUT NOTICE)

THIS DRAWING IS PROPERTY OF HUBBELL INC. WEIGMANN
 ALL INFORMATION IS PROPRIETARY AND NOT TO BE DUPLICATED

