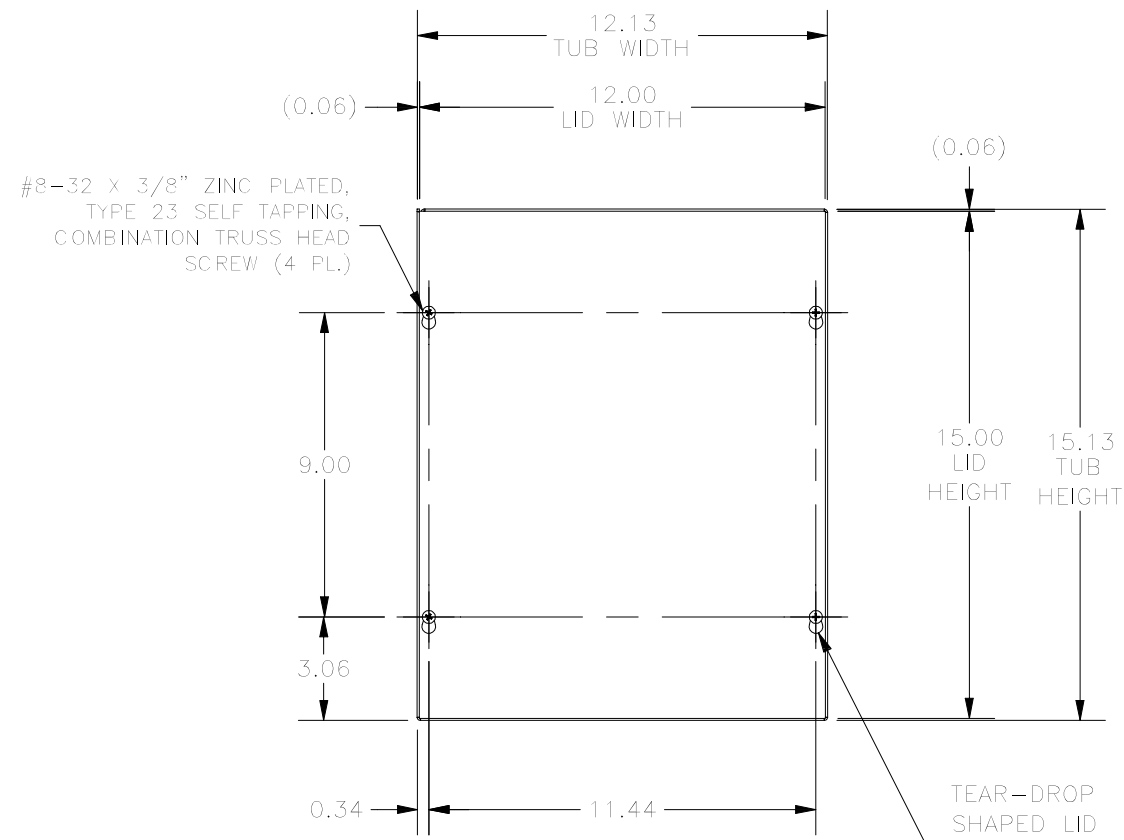
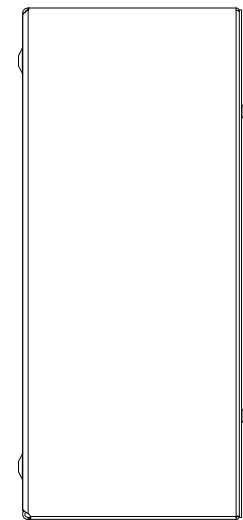


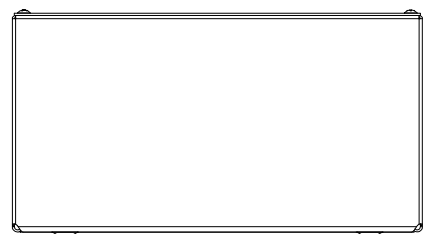
TOP VIEW



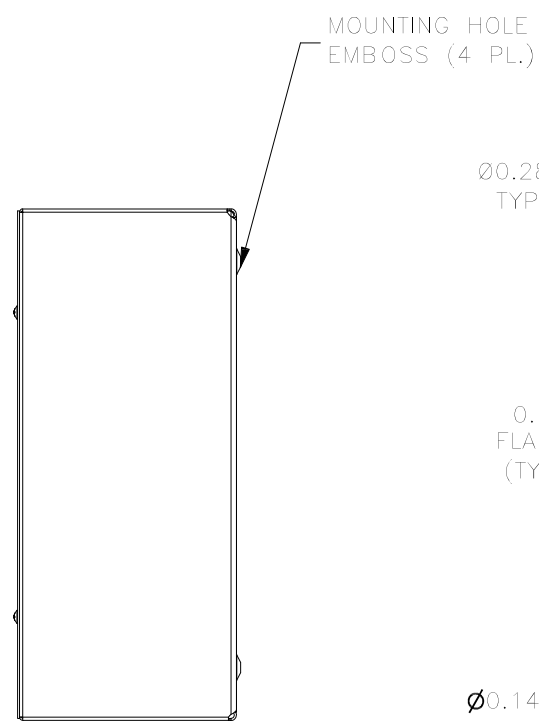
FRONT VIEW



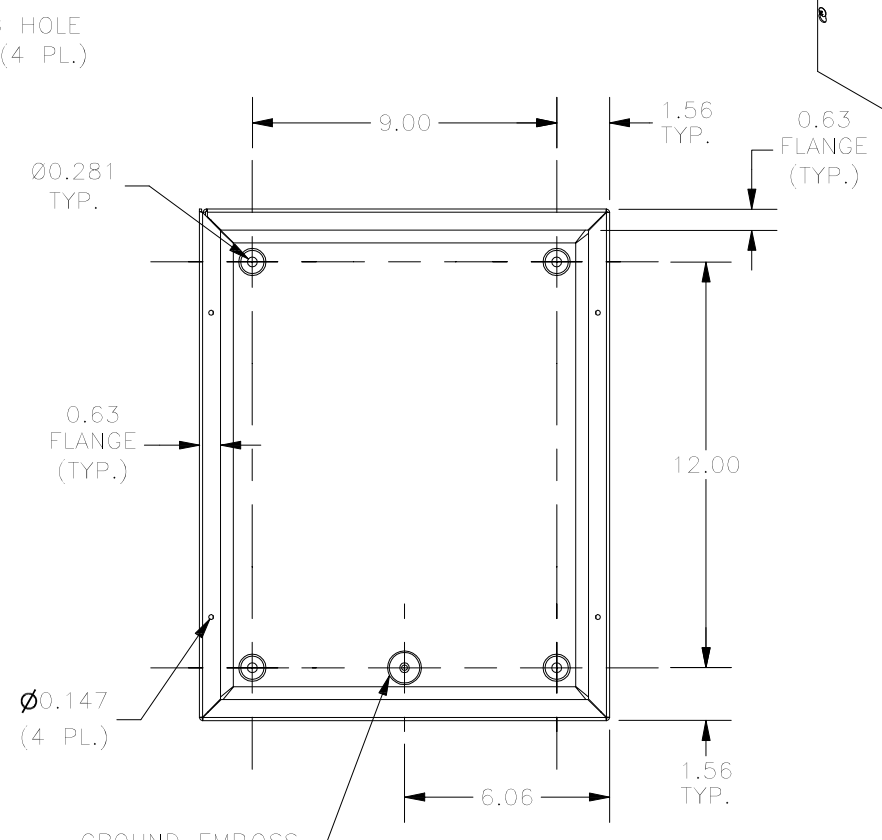
LEFT SIDE VIEW



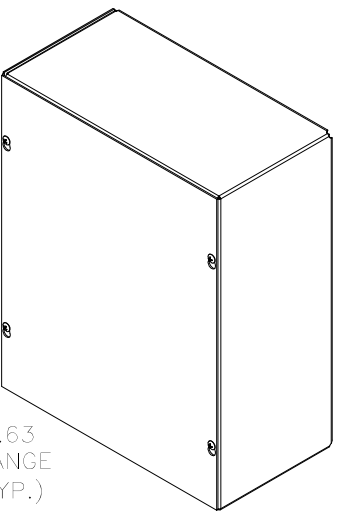
BOTTOM VIEW



RIGHT SIDE VIEW



FRONT VIEW LID REMOVED



PART#: SC 121506GNK
 (DATA SUBJECT TO CHANGE WITHOUT NOTICE)

THIS DRAWING IS PROPERTY OF HUBBELL INC. WIEGMANN
 ALL INFORMATION IS PROPRIETARY AND NOT TO BE DUPLICATED