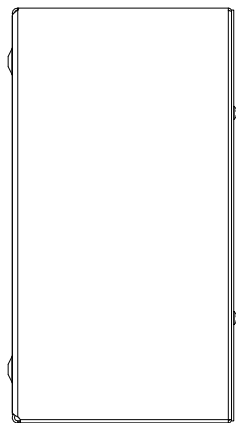
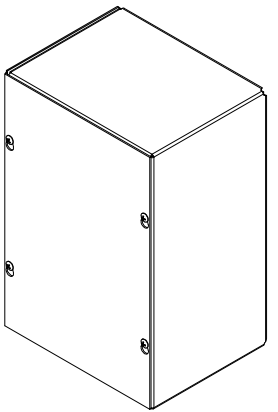
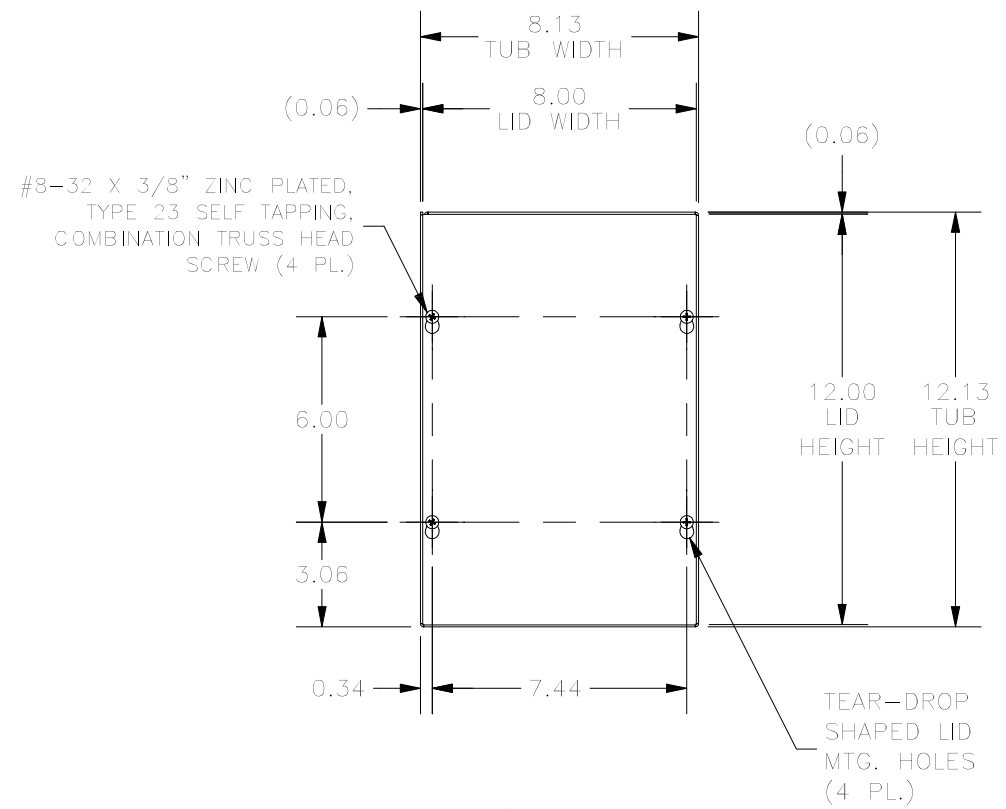


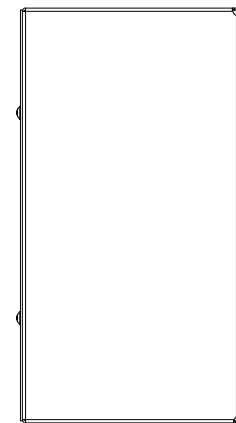
TOP VIEW



LEFT SIDE VIEW

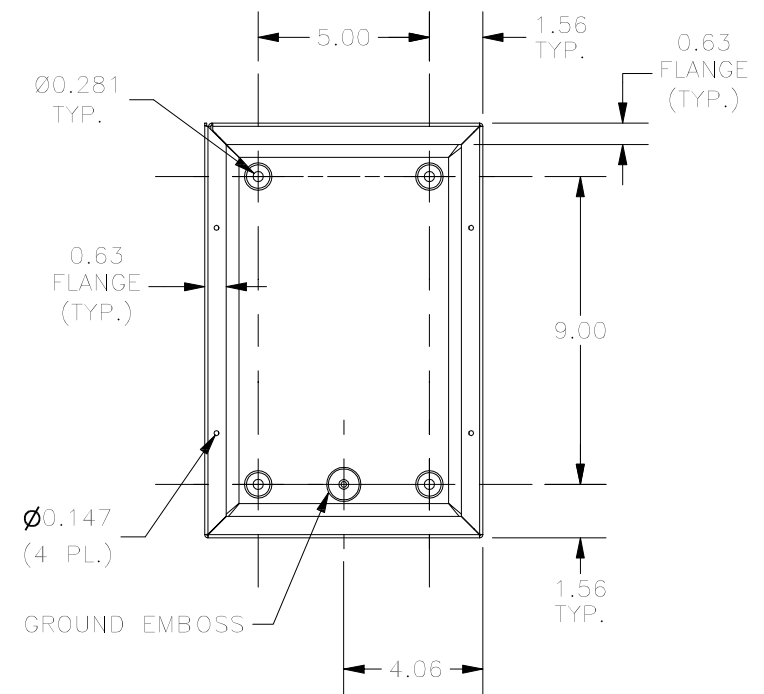


FRONT VIEW

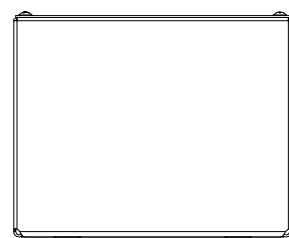


RIGHT SIDE VIEW

MOUNTING HOLE EMBOSS (4 PL.)



FRONT VIEW LID REMOVED



BOTTOM VIEW

PART#: SC081206GNK
 (DATA SUBJECT TO CHANGE WITHOUT NOTICE)

THIS DRAWING IS PROPERTY OF HUBBELL INC. WIEGMANN
 ALL INFORMATION IS PROPRIETARY AND NOT TO BE DUPLICATED