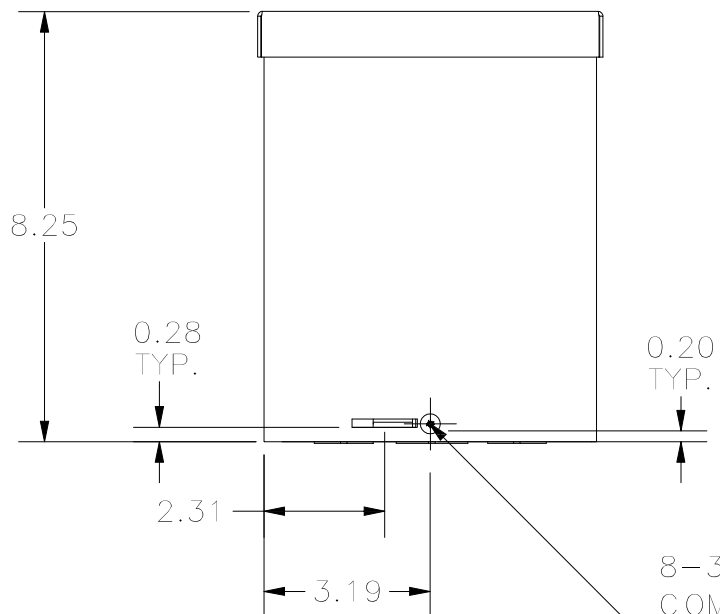
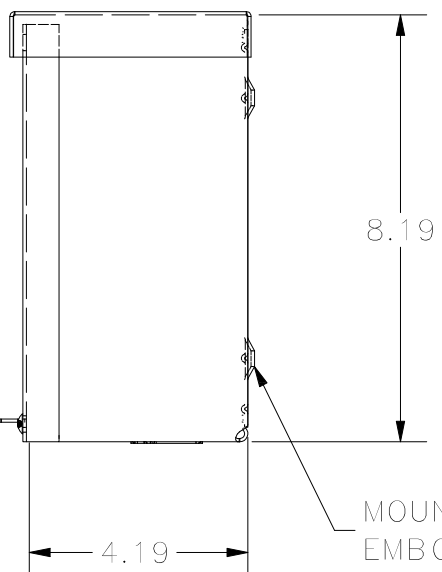


**TOP VIEW**



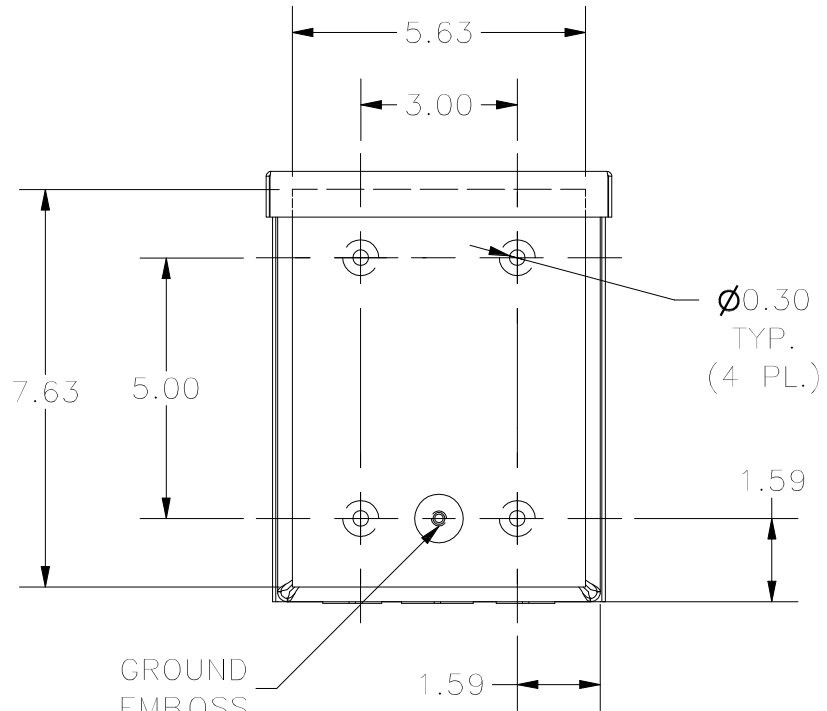
**FRONT VIEW**

HASP & METER SEAL



**RIGHT VIEW**

MOUNTING EMBOSS

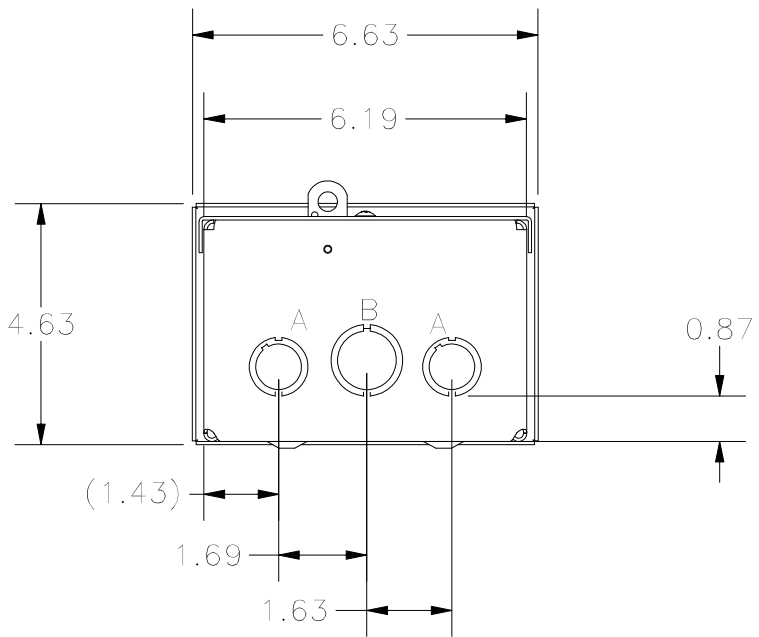


**BACK VIEW**

GROUND EMBOSS

Ø0.30  
TYP.  
(4 PL.)

8-32 X 3/8  
COMBO HD.  
SCREW  
(2 PL.)



**BOTTOM VIEW**

KNOCK OUT SIZE	
LETTER	SIZES
A	1/2" TO 3/4"
B	3/4" TO 1"
F	1" TO 1-1/4"

PART#: RSC060804G  
(DATA SUBJECT TO CHANGE  
WITHOUT NOTICE)

THIS DRAWING IS PROPERTY OF HUBBELL INC.  
WIEGMANN  
ALL INFORMATION IS PROPRIETARY AND NOT TO BE  
DUPLICATED