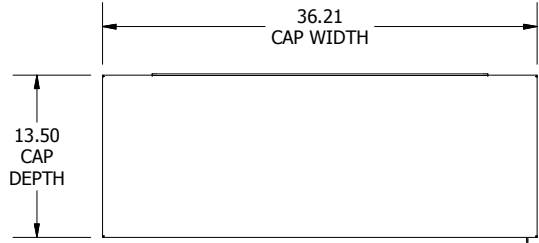
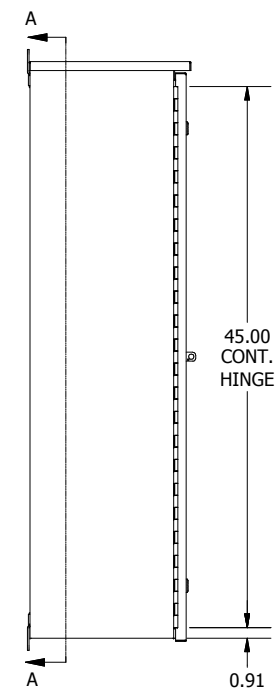


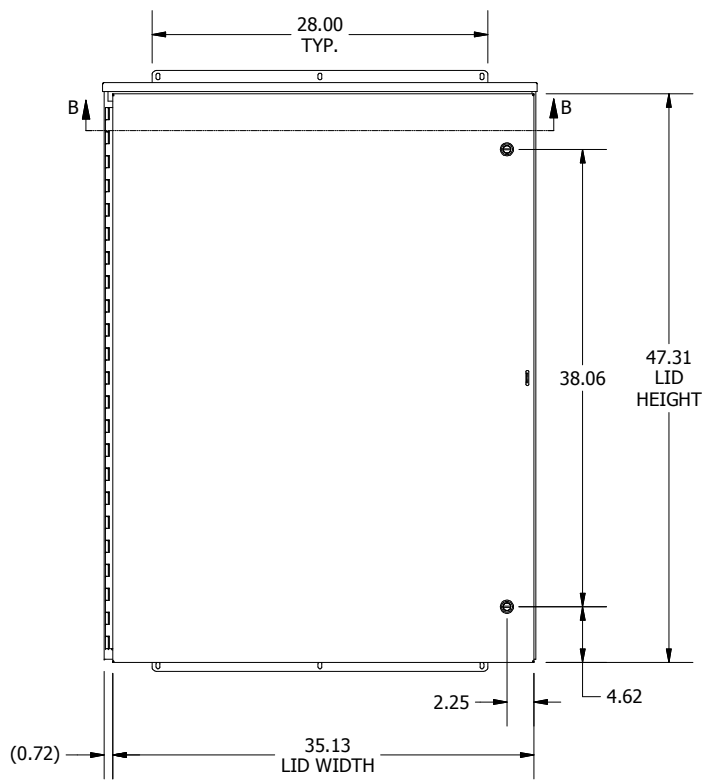
REVISION HISTORY			
REV	DESCRIPTION	BY	DATE
A	ECO#: HFW161018-02	MR	02/02/2017



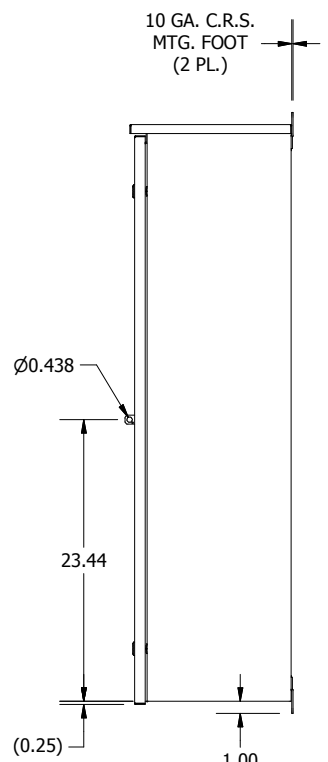
TOP VIEW



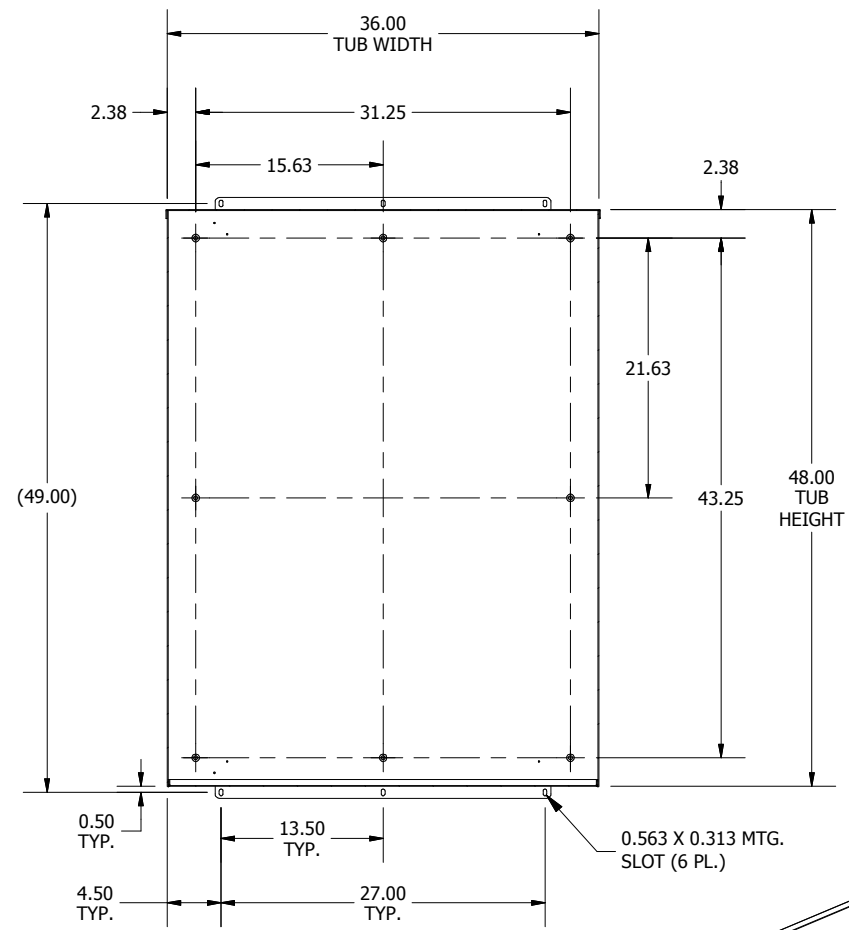
LEFT SIDE VIEW



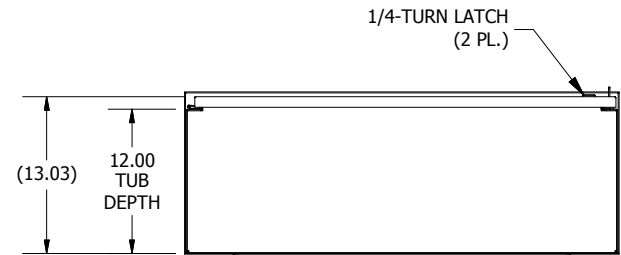
FRONT VIEW



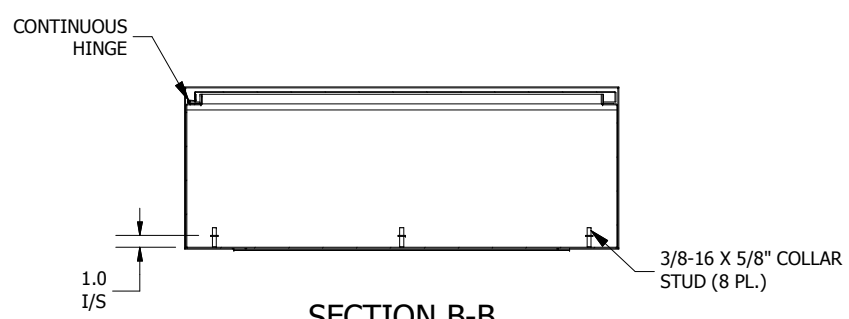
RIGHT SIDE VIEW



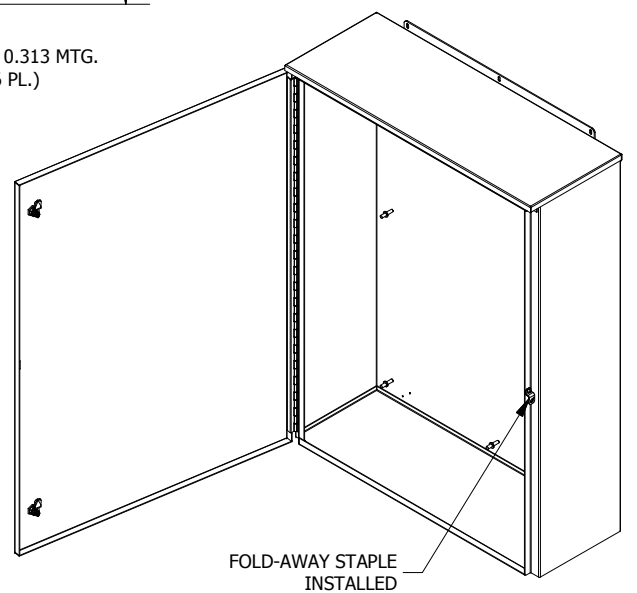
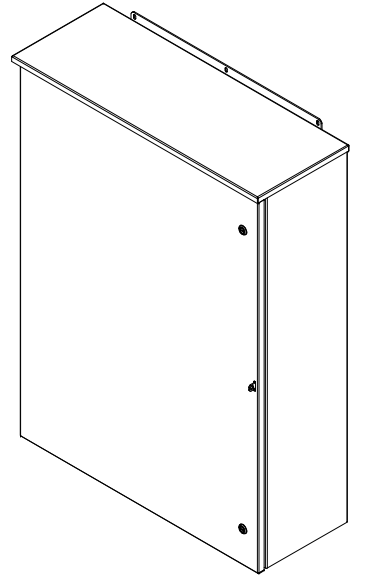
**SECTION A-A
(INSIDE BACK OF ENCL.)**



BOTTOM VIEW



**SECTION B-B
(INSIDE TOP OF ENCL.)**

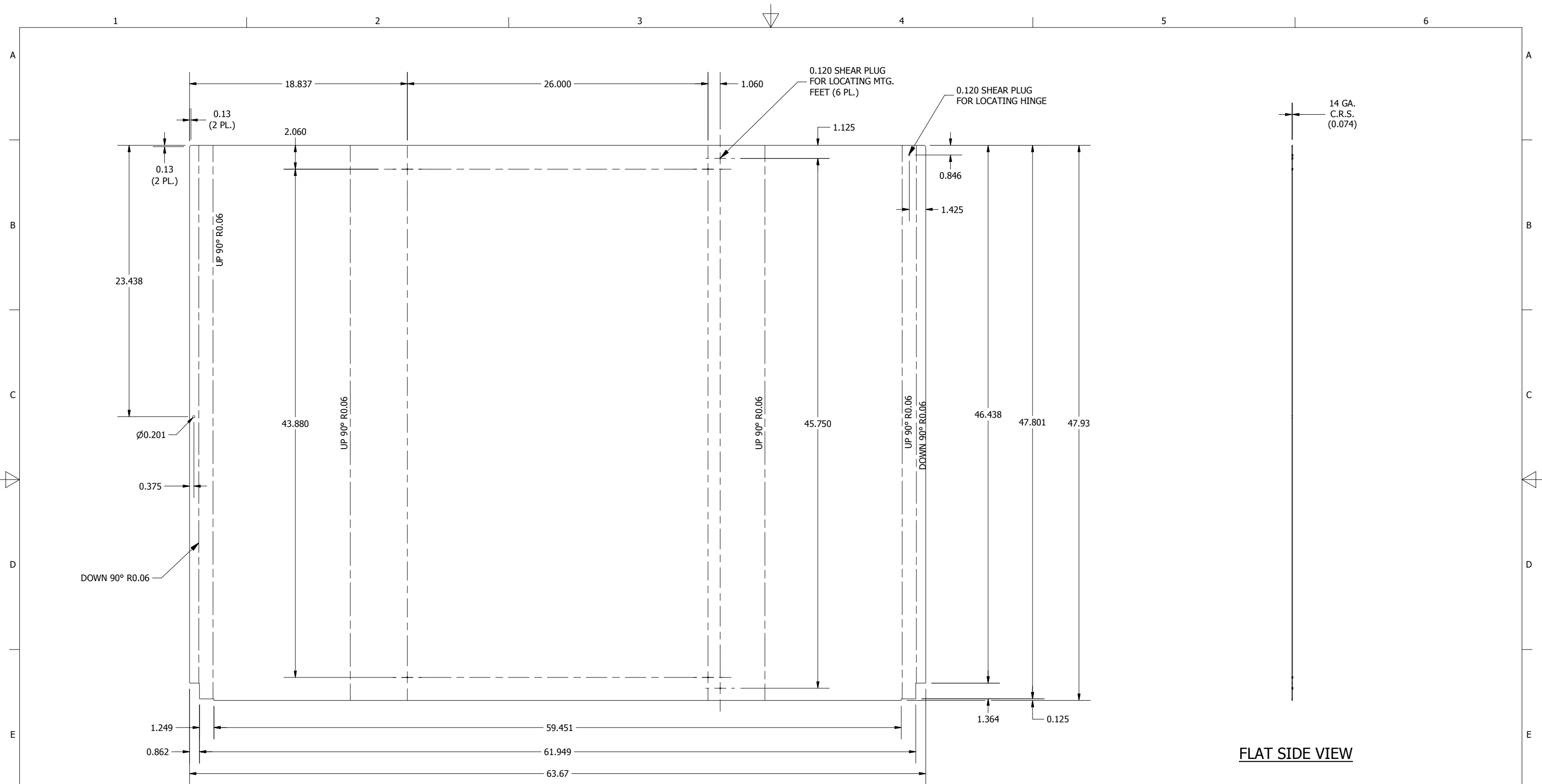


- NOTES:**
1. ALL DIMENSIONS ARE FROM OUTSIDE UNLESS OTHERWISE NOTED.
 2. ENCLOSURE IS FABRICATED FROM 14 GA. CARBON STEEL.
 3. COLLAR STUDS ARE PROVIDED FOR MOUNTING OPTIONAL SUB PANEL.
 4. ENCLOSURE IS WELDED TOGETHER.
 5. FINISH: ANSI-61 GRAY TEXTURE POLYESTER POWDER (INTERIOR/EXTERIOR).
 6. ENCLOSURE IS RATED UL TYPE 3R.

DIMENSIONS ARE IN INCHES (MM). TOLERANCES UNLESS OTHERWISE SPECIFIED ARE AS FOLLOWS:
.X = ±.06 (1.6)
.XX = ±.031 (.8)
.XXX = ±.016 (.25)
Ø = ±.005
ANGLE TOL ± 1'

HUBBELL® **WIEGMANN**®
FREBURG, ILLINOIS, USA

PART NUMBER: RHC483612	MATERIAL: SEE NOTE	SCALE: NONE	CHK'D DATE: 7/7/2014
DESCRIPTION: RHC, NEMA 3R ENCL., CS, 48X36X12		DRAWN BY: PS	CREATED ON: 7/7/2014
		CHK'D BY: VR	DWG. NO. HWD RHC483612_1
SHEET 1 OF 9			REV. A



BLR FLAT PATTERN VIEW

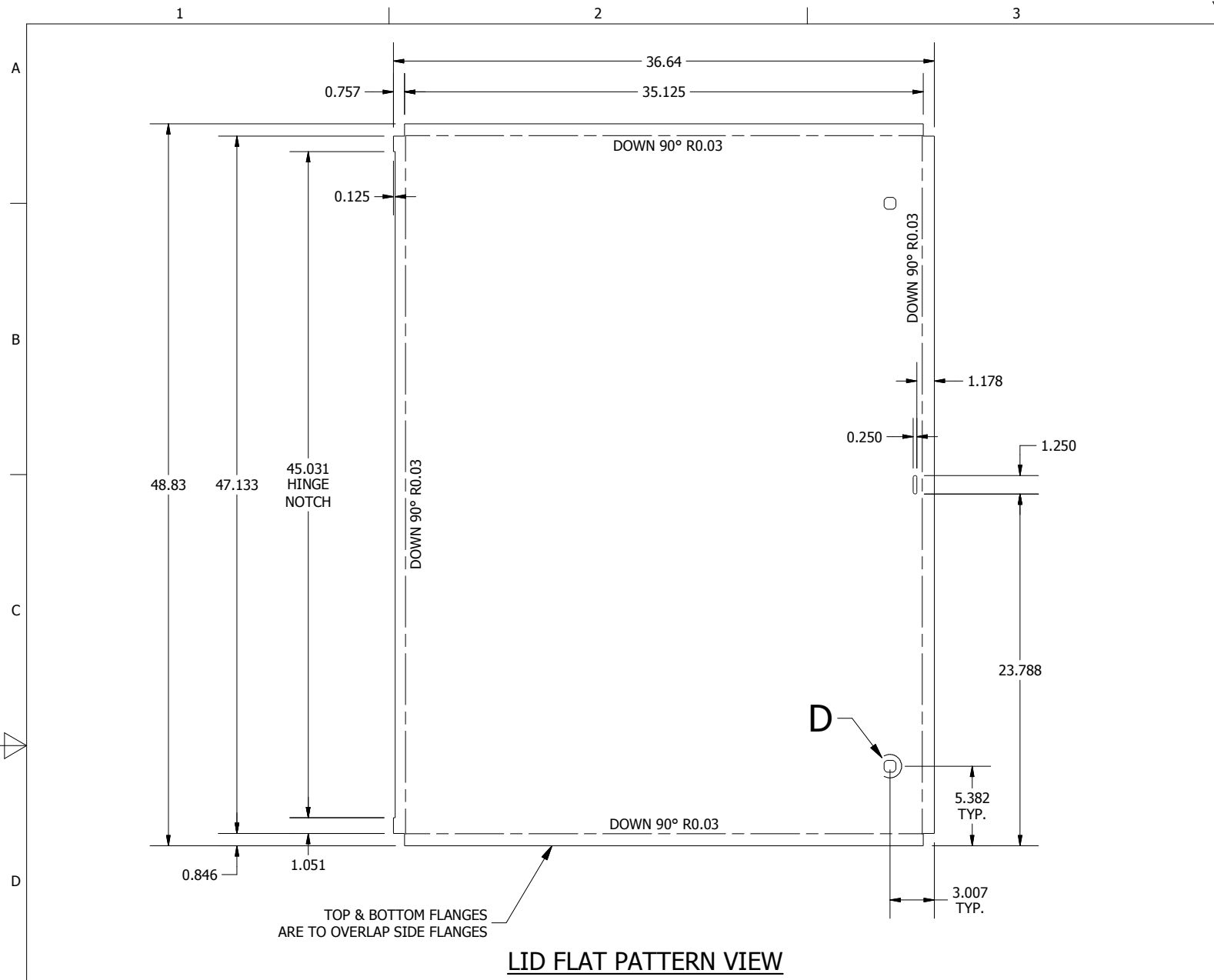
FLAT SIDE VIEW

DIMENSIONS ARE IN INCHES (MM). TOLERANCES UNLESS OTHERWISE SPECIFIED ARE AS FOLLOWS:
 .X = ±.06 (1.6)
 .XX = ±.031 (.8)
 .XXX = ±.016 (.25)
 Ø = ±.005
 ANGLE TOL ± 1'

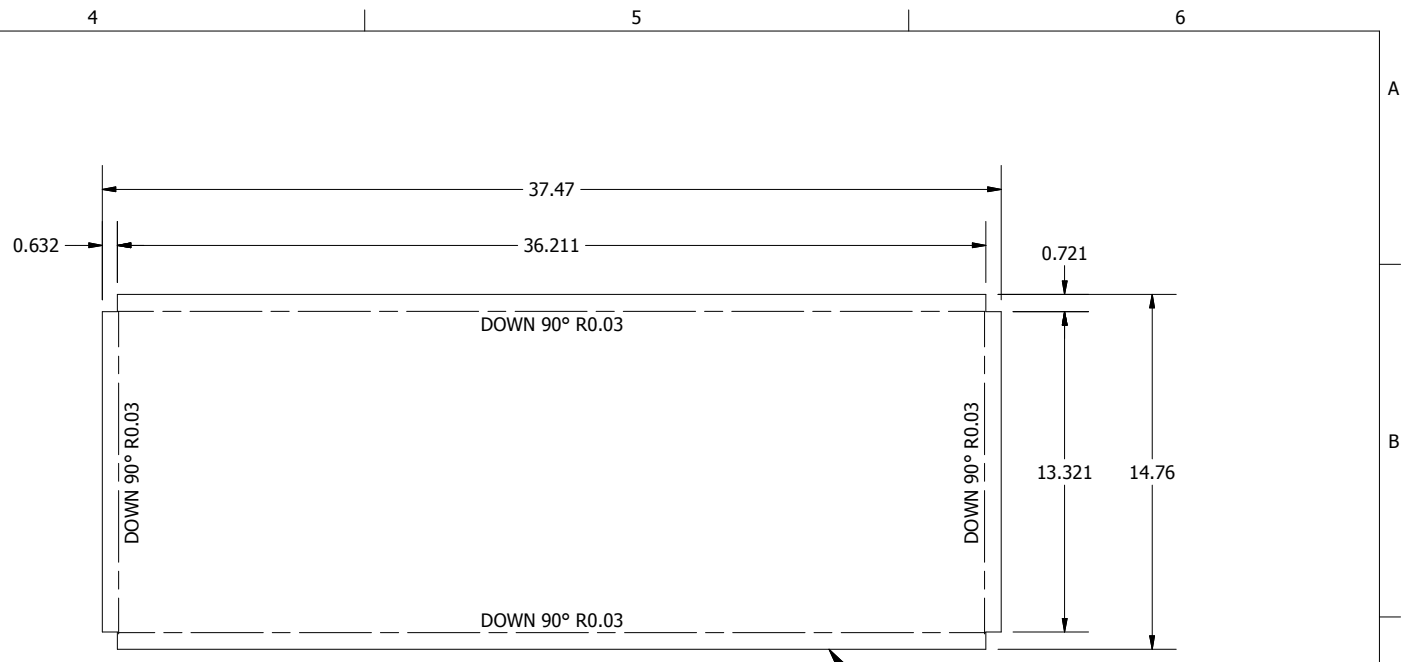
HUBBELL® **WIEGMANN**®
 FREEBURG, ILLINOIS, USA

—NOTICE— THIS DRAWING IS THE PROPERTY OF WIEGMANN, A DIVISION OF HUBBELL INCORPORATED. IT IS LOANED TO YOU AND MUST NOT BE USED IN ANY WAY DETRIMENTAL TO THE INTEREST OF WIEGMANN.

PART NUMBER: RHC483612BLR	MATERIAL: SEE NOTE	SCALE: NONE	CHK'D DATE: 7/7/2014
DESCRIPTION: RHC, BLR, MEDIUM, CS, 48X36X12		DRAWN BY: PS	CREATED ON: 7/7/2014
		CHK'D BY: VR	DWG. NO. HWDRHC483612_2.1
SHEET 2 OF 9			REV. A



LID FLAT PATTERN VIEW



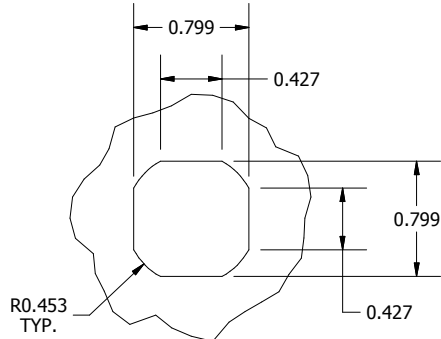
CAP FLAT PATTERN VIEW



FLAT SIDE VIEW



FLAT SIDE VIEW



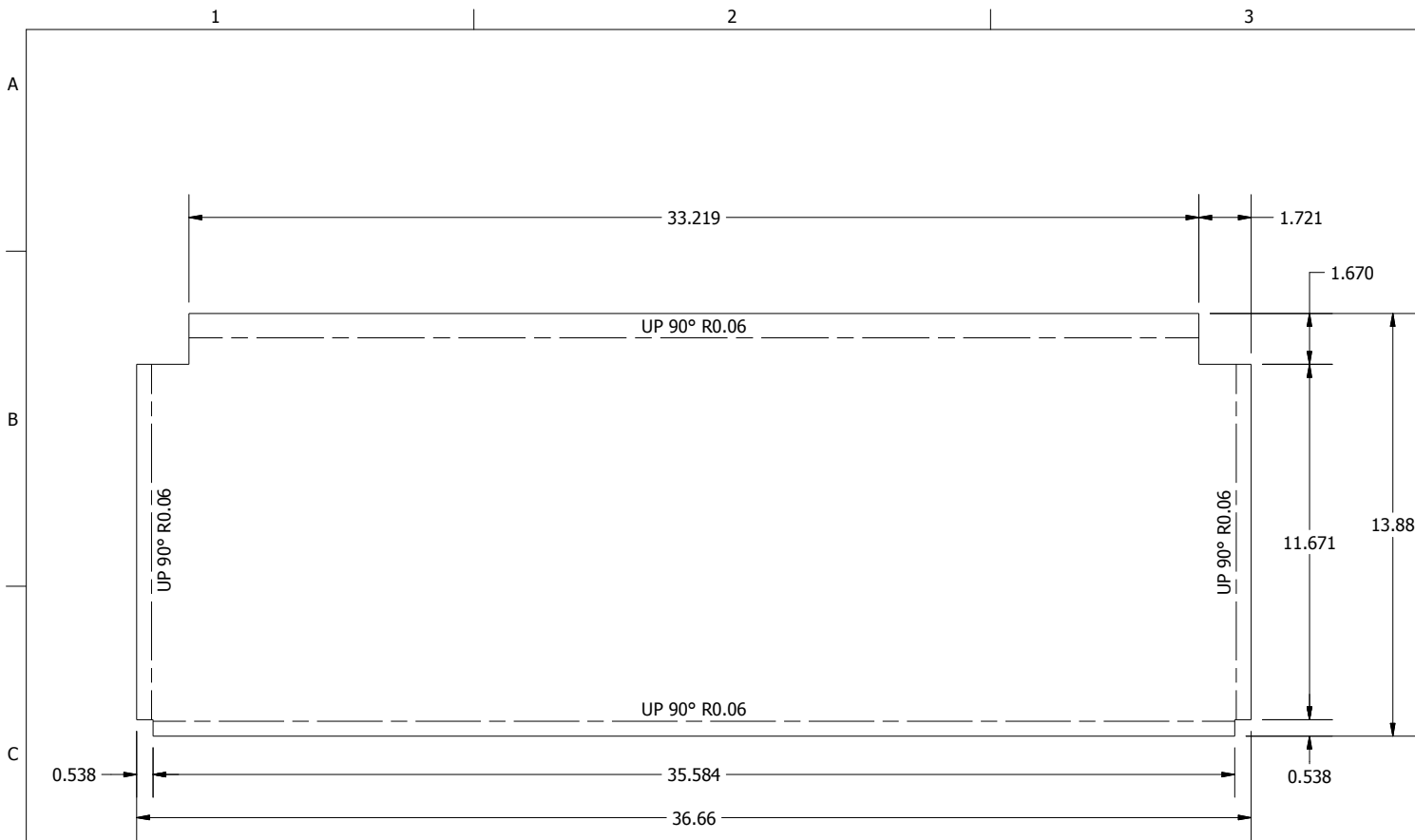
**DETAIL D (2 PL.)
(LATCH PUNCHING DETAIL)**

DIMENSIONS ARE IN INCHES (MM). TOLERANCES UNLESS OTHERWISE SPECIFIED ARE AS FOLLOWS:
 .X = ±.06 (1.6)
 .XX = ±.031 (.8)
 .XXX = ±.016 (.25)
 Ø = ±.005
 ANGLE TOL ± 1'

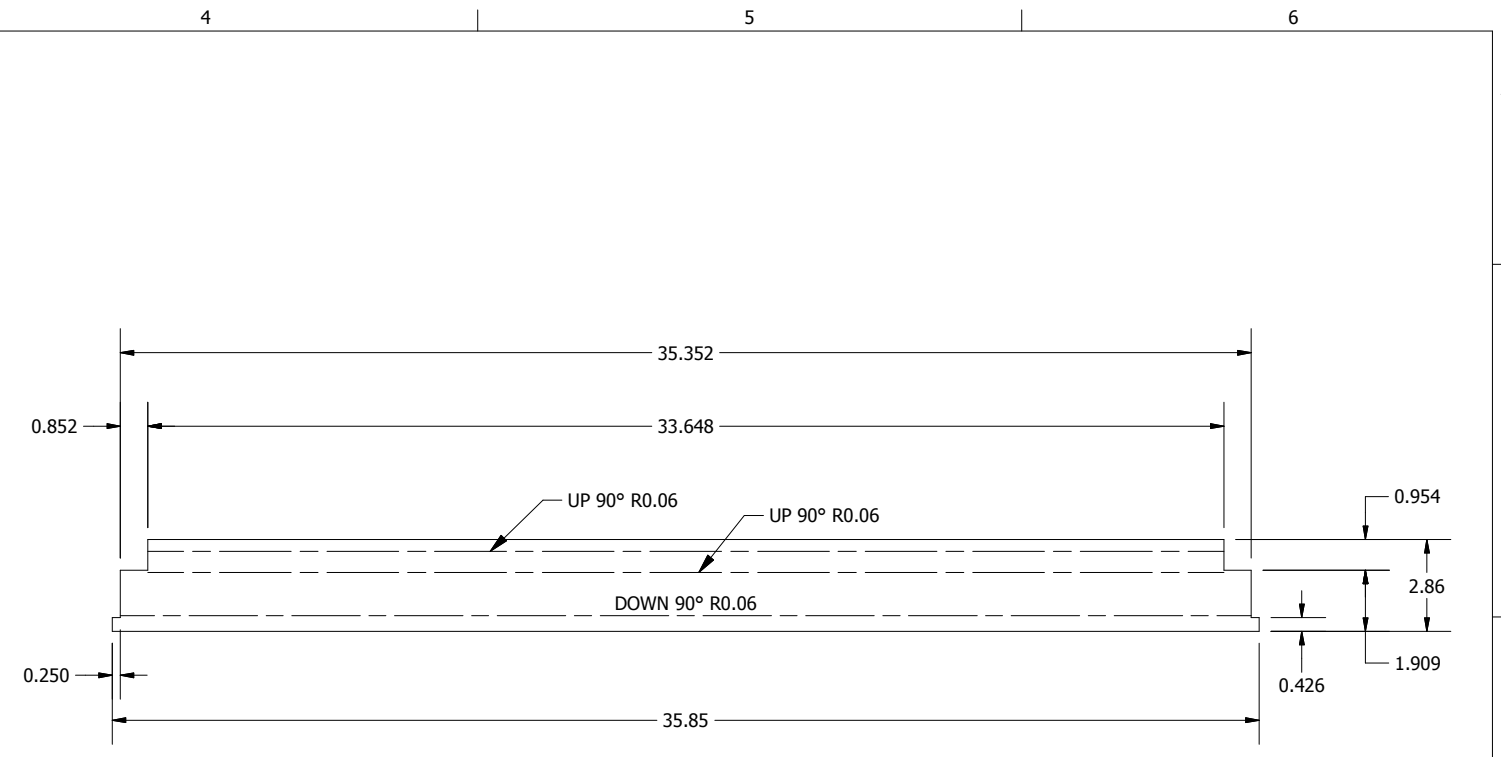
HUBBELL **WIEGMANN**
 FREEBURG, ILLINOIS, USA

—NOTICE— THIS DRAWING IS THE PROPERTY OF WIEGMANN, A DIVISION OF HUBBELL INCORPORATED. IT IS LOANED TO YOU AND MUST NOT BE USED IN ANY WAY DETRIMENTAL TO THE INTEREST OF WIEGMANN.

PART NUMBER: RHC4836LID	MATERIAL: SEE NOTE	SCALE: NONE	CHK'D DATE: 7/7/2014
DESCRIPTION: RHC, LID, CS, NEMA 3R, 48X36		DRAWN BY: PS	CREATED ON: 7/7/2014
		CHK'D BY: VR	DWG. NO. HWD RHC483612_2.2
		REV. A	
		SHEET 3 OF 9	



BOTTOM ENDWALL FLAT PATTERN VIEW



TOP ENDWALL FLAT PATTERN VIEW



FLAT SIDE VIEW



FLAT SIDE VIEW

DIMENSIONS ARE IN INCHES (MM). TOLERANCES UNLESS OTHERWISE SPECIFIED ARE AS FOLLOWS:
 .X = ±.06 (1.6)
 .XX = ±.031 (.8)
 .XXX = ±.016 (.25)
 Ø = ±.005
 ANGLE TOL ± 1'



WIEGMANN
 FREEBURG, ILLINOIS, USA

-NOTICE- THIS DRAWING IS THE PROPERTY OF WIEGMANN, A DIVISION OF HUBBELL INCORPORATED. IT IS LOANED TO YOU AND MUST NOT BE USED IN ANY WAY DETRIMENTAL TO THE INTEREST OF WIEGMANN.

PART NUMBER:
RHC3612BTM

MATERIAL:
SEE NOTE

SCALE: NONE
 DRAWN BY: PS
 CHK'D BY: VR

CHK'D DATE: 7/7/2014

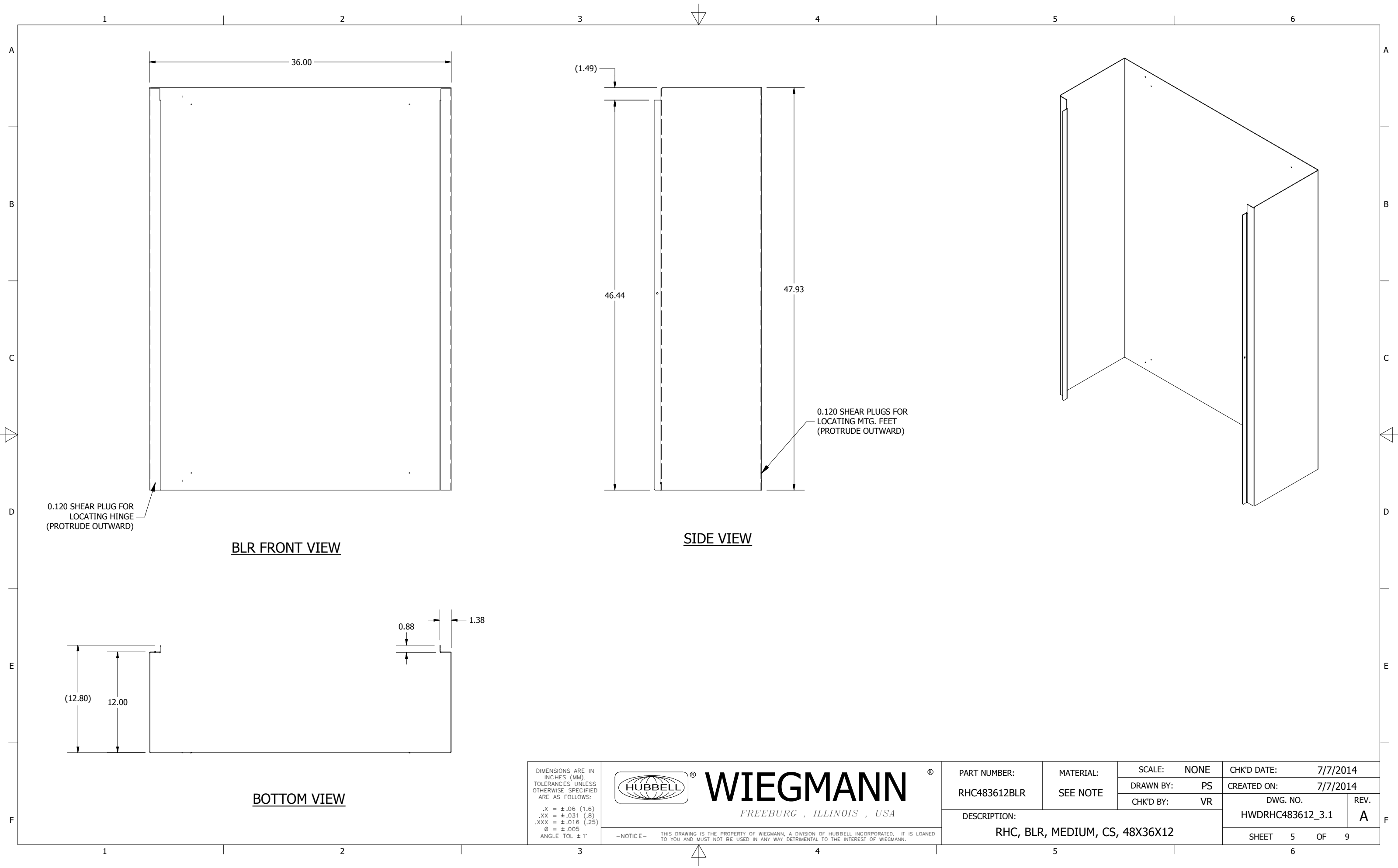
CREATED ON: 7/7/2014

DESCRIPTION:
RHC, BTM, CS, NEMA 3R, 36X12

DWG. NO.
HWD RHC483612_2.3

REV.
A

SHEET 4 OF 9



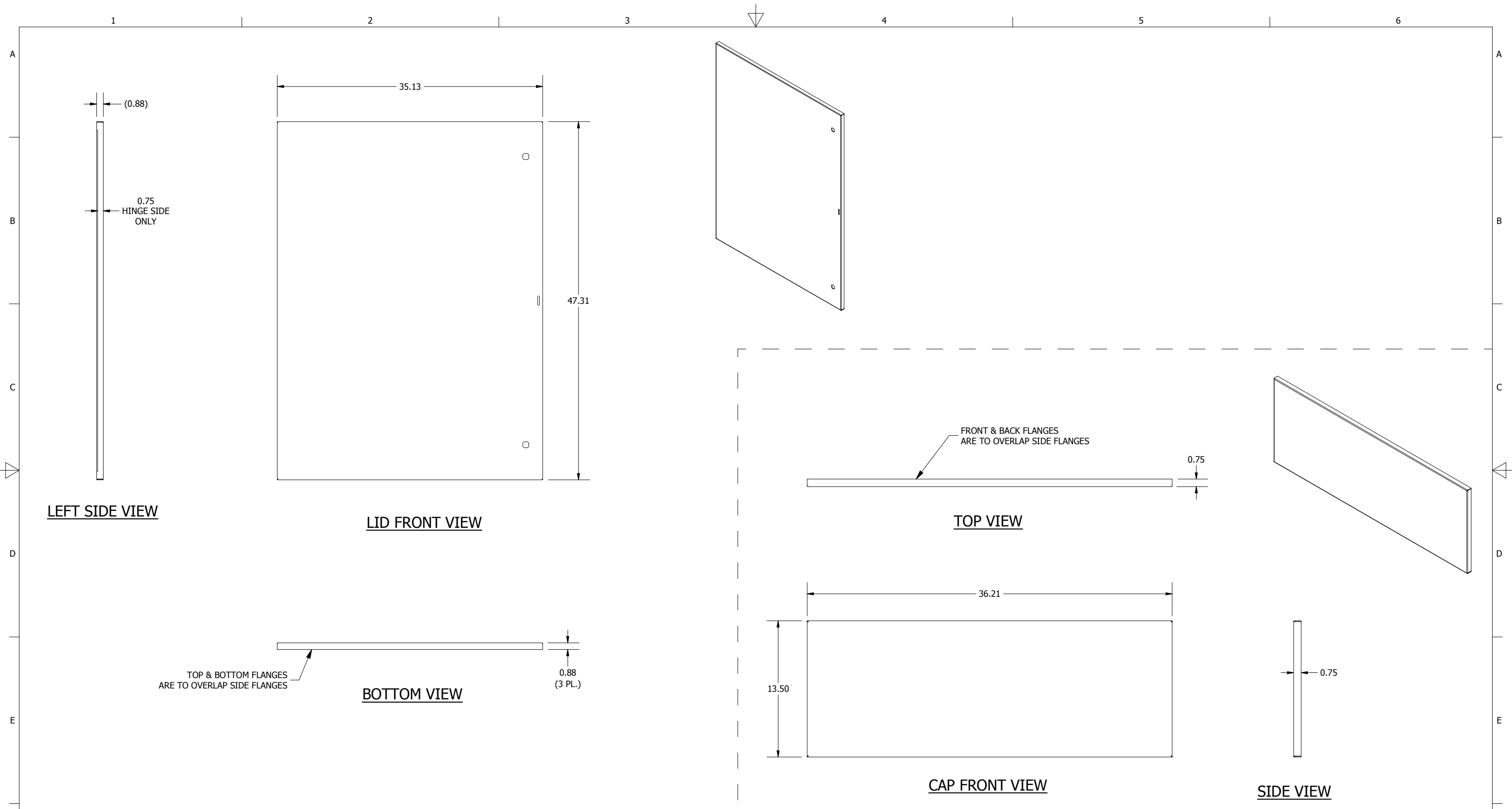
DIMENSIONS ARE IN INCHES (MM). TOLERANCES UNLESS OTHERWISE SPECIFIED ARE AS FOLLOWS:
 .X = ±.06 (1.6)
 .XX = ±.031 (.8)
 .XXX = ±.016 (.25)
 Ø = ±.005
 ANGLE TOL ± 1'




WIEGMANN
 FREEBURG, ILLINOIS, USA

-NOTICE- THIS DRAWING IS THE PROPERTY OF WIEGMANN, A DIVISION OF HUBBELL INCORPORATED. IT IS LOANED TO YOU AND MUST NOT BE USED IN ANY WAY DETRIMENTAL TO THE INTEREST OF WIEGMANN.

PART NUMBER: RHC483612BLR	MATERIAL: SEE NOTE	SCALE: NONE	CHK'D DATE: 7/7/2014
		DRAWN BY: PS	CREATED ON: 7/7/2014
DESCRIPTION: RHC, BLR, MEDIUM, CS, 48X36X12		CHK'D BY: VR	DWG. NO. HWDRHC483612_3.1
		REV. A	
		SHEET 5 OF 9	

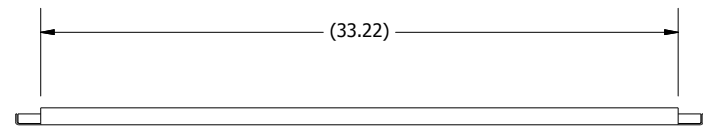


DIMENSIONS ARE IN INCHES (MM). TOLERANCES UNLESS OTHERWISE SPECIFIED ARE AS FOLLOWS:
 .X = ±.06 (1.6)
 .XX = ±.031 (.8)
 .XXX = ±.016 (.25)
 Ø = ±.005
 ANGLE TOL ± 1'

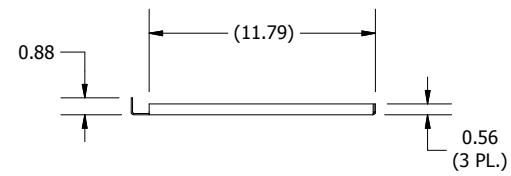

WIEGMANN
 FREEBURG, ILLINOIS, USA

-NOTICE- THIS DRAWING IS THE PROPERTY OF WIEGMANN, A DIVISION OF HUBBELL INCORPORATED. IT IS LOANED TO YOU AND MUST NOT BE USED IN ANY WAY DETRIMENTAL TO THE INTEREST OF WIEGMANN.

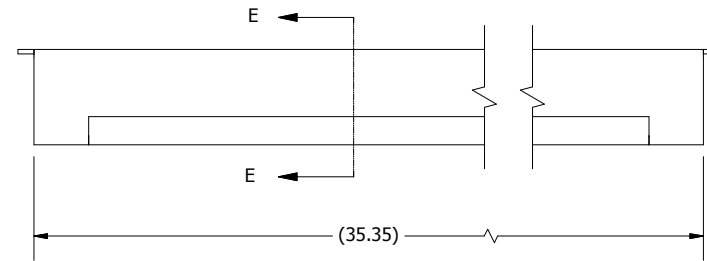
PART NUMBER:	RHC4836LID	MATERIAL:	SEE NOTE	SCALE:	NONE	CHK'D DATE:	7/7/2014
				DRAWN BY:	PS	CREATED ON:	7/7/2014
				CHK'D BY:	VR	DWG. NO.	HWDRHC483612_3.2
DESCRIPTION:						REV.	A
RHC, LID, CS, NEMA 3R, 48X36						SHEET	6 OF 9



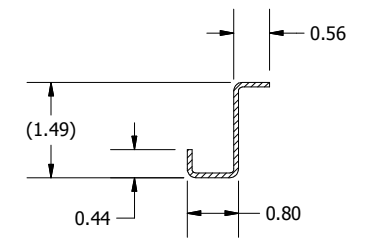
BOTTOM ENDWALL FRONT VIEW



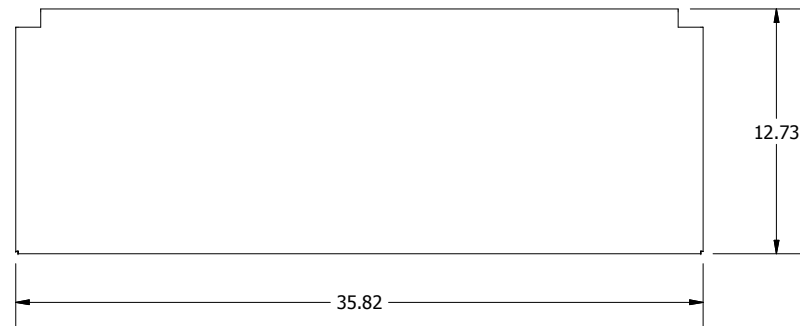
SIDE VIEW



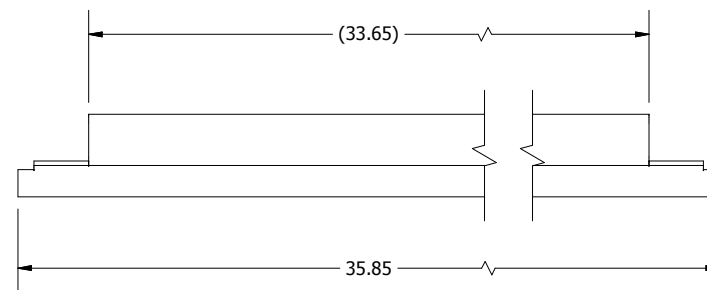
TOP ENDWALL FRONT VIEW



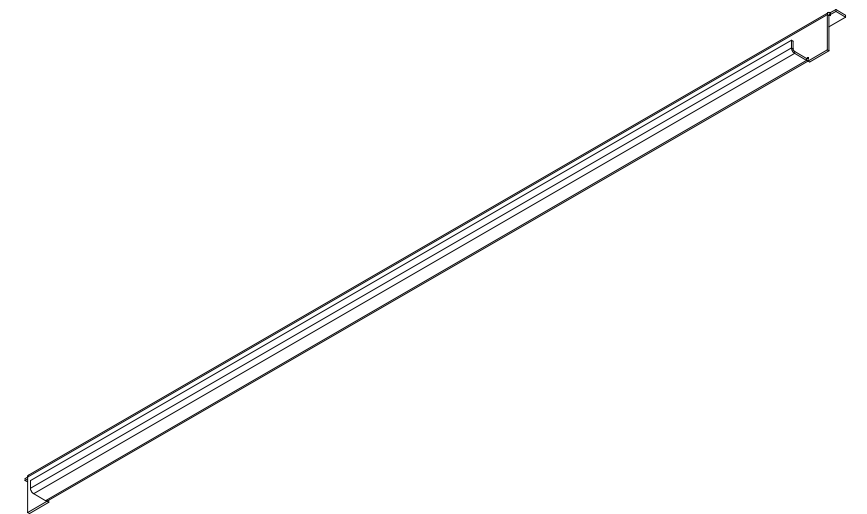
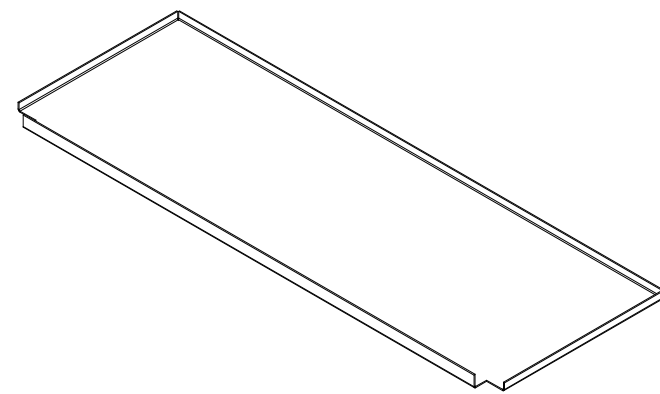
SECTION E-E



BOTTOM VIEW



BOTTOM VIEW



DIMENSIONS ARE IN INCHES (MM). TOLERANCES UNLESS OTHERWISE SPECIFIED ARE AS FOLLOWS:
 .X = ±.06 (1.6)
 .XX = ±.031 (.8)
 .XXX = ±.016 (.25)
 Ø = ±.005
 ANGLE TOL ± 1'



WIEGMANN
 FREEBURG, ILLINOIS, USA

-NOTICE- THIS DRAWING IS THE PROPERTY OF WIEGMANN, A DIVISION OF HUBBELL INCORPORATED. IT IS LOANED TO YOU AND MUST NOT BE USED IN ANY WAY DETRIMENTAL TO THE INTEREST OF WIEGMANN.

PART NUMBER:
RHC3612BTM

MATERIAL:
SEE NOTE

SCALE: NONE
 DRAWN BY: PS
 CHK'D BY: VR

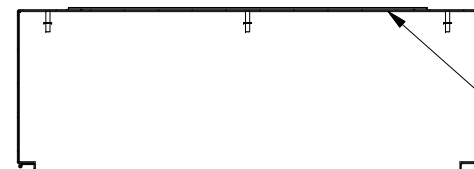
CHK'D DATE: 7/7/2014
 CREATED ON: 7/7/2014

DESCRIPTION:
RHC, BTM, CS, NEMA 3R, 36X12

DWG. NO.
HWD RHC483612_3.3

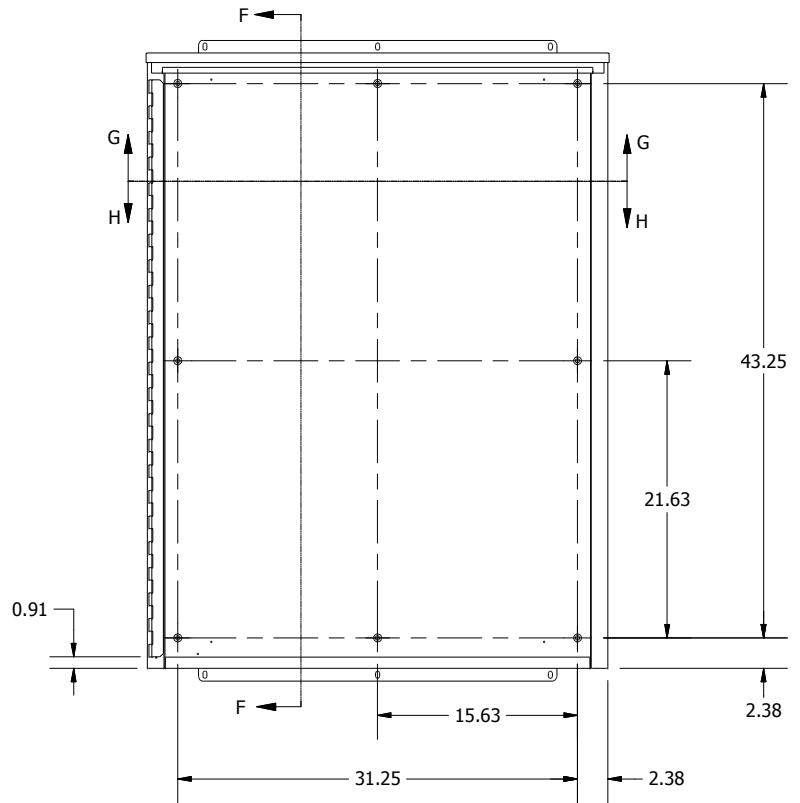
REV.
A

SHEET 7 OF 9

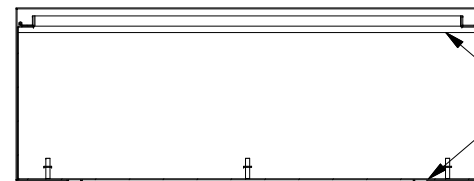


TACK WELD BOTTOM ENDWALL TO INSIDE OF BLR ON SIDES EVENLY & THROUGHOUT

SECTION H-H

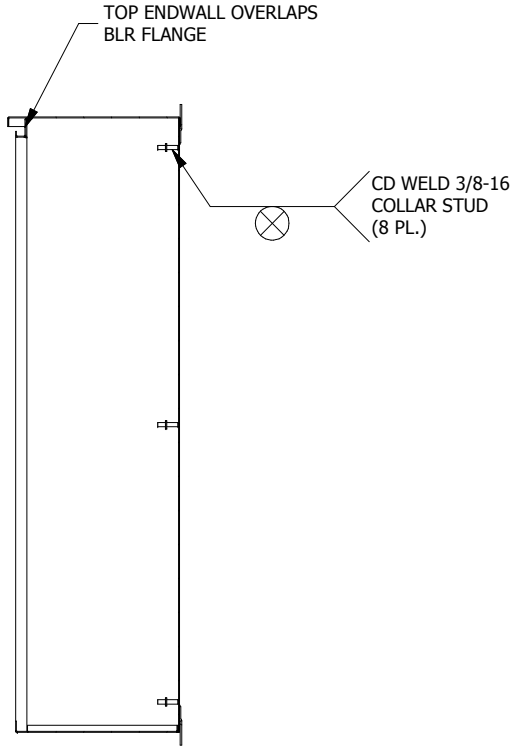


TUB WELD FRONT VIEW

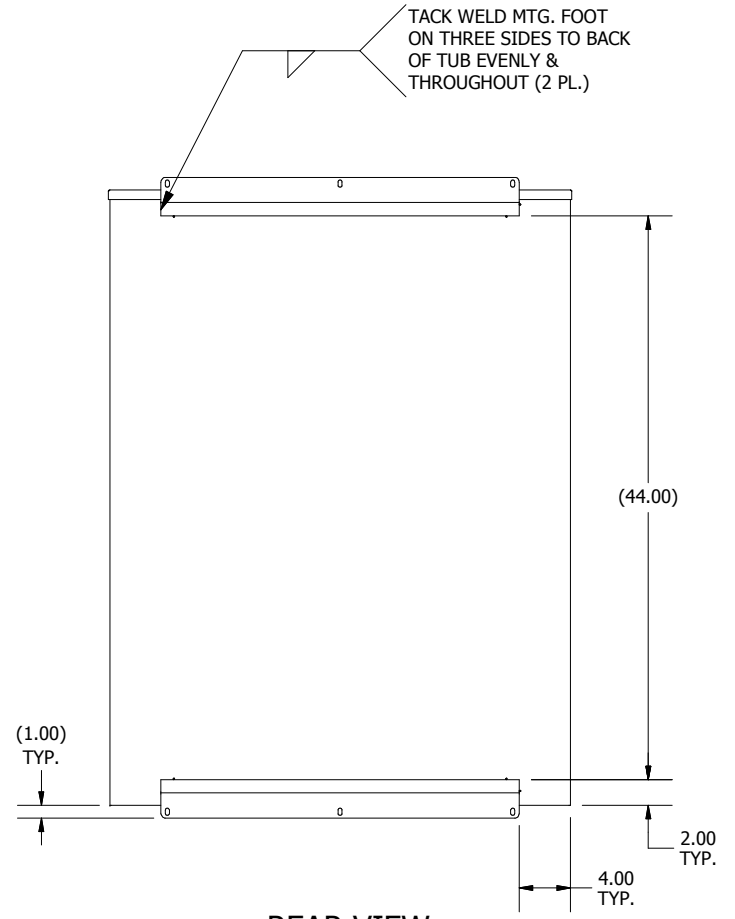


TACK WELD CAP TO ALL BLR & TOP ENDWALL FLANGES EVENLY & THROUGHOUT

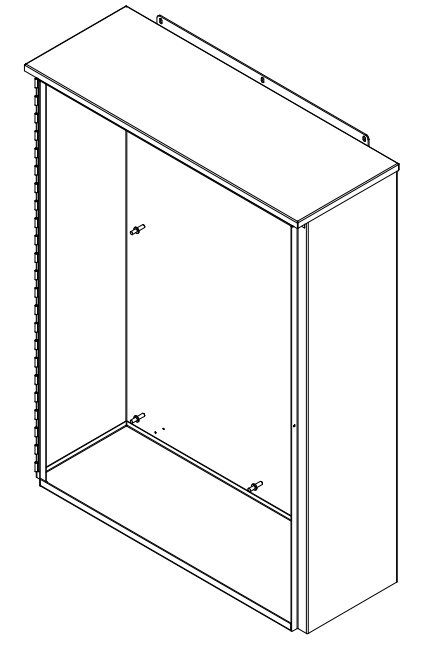
SECTION G-G




SECTION F-F



REAR VIEW



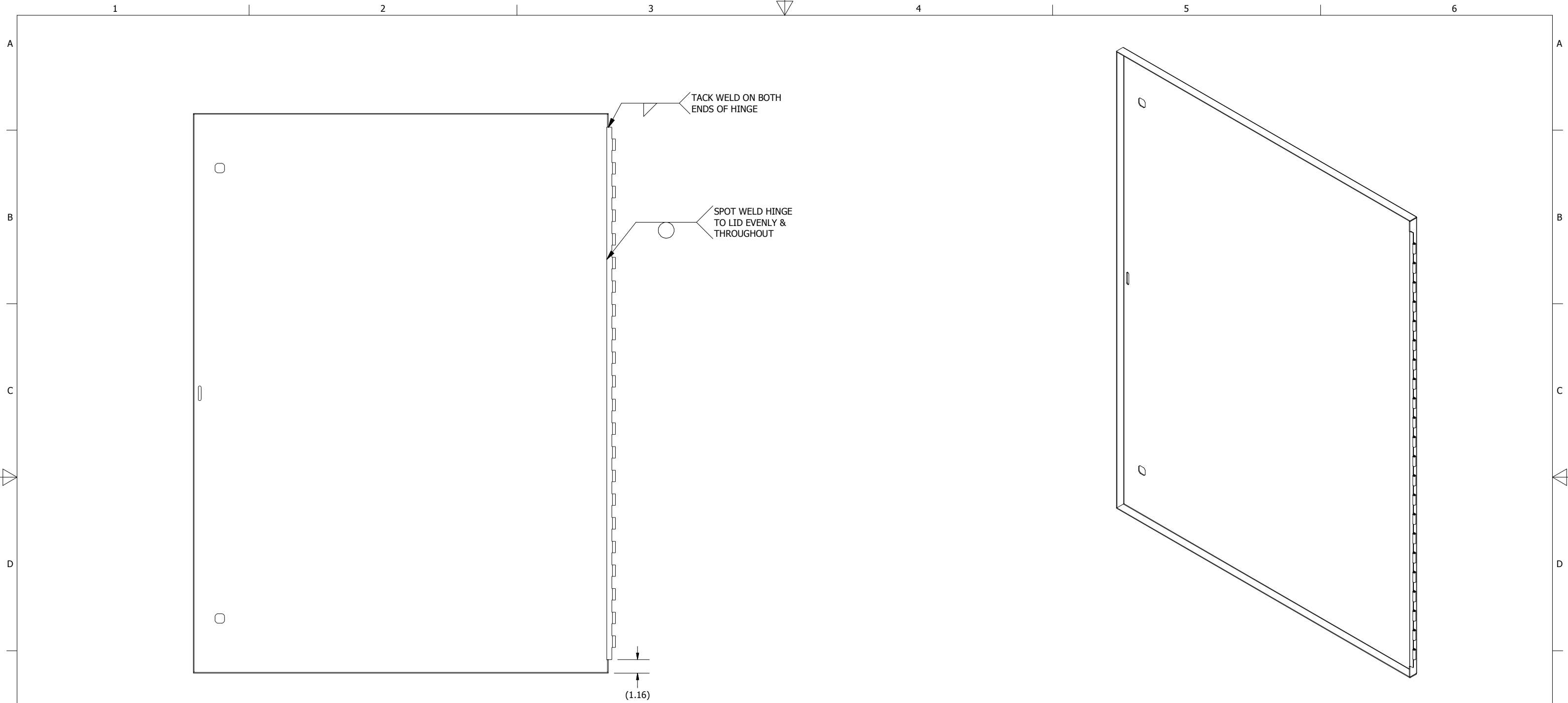
DIMENSIONS ARE IN INCHES (MM). TOLERANCES UNLESS OTHERWISE SPECIFIED ARE AS FOLLOWS:
 .X = ±.06 (1.6)
 .XX = ±.031 (.8)
 .XXX = ±.016 (.25)
 Ø = ±.005
 ANGLE TOL ± 1'


WIEGMANN
 FREEBURG, ILLINOIS, USA

-NOTICE- THIS DRAWING IS THE PROPERTY OF WIEGMANN, A DIVISION OF HUBBELL INCORPORATED. IT IS LOANED TO YOU AND MUST NOT BE USED IN ANY WAY DETRIMENTAL TO THE INTEREST OF WIEGMANN.

PART NUMBER: RHC483612	MATERIAL: SEE NOTE	SCALE: NONE	CHK'D DATE: 7/7/2014
DESCRIPTION: RHC, NEMA 3R ENCL., CS, 48X36X12		DRAWN BY: PS	CREATED ON: 7/7/2014
		CHK'D BY: VR	DWG. NO. HWDRHC483612_4.1
		SHEET 8 OF 9	REV. A

SHEET 8 OF 9		REV. A
--------------	--	--------



LID WELD INSIDE VIEW

DIMENSIONS ARE IN INCHES (MM). TOLERANCES UNLESS OTHERWISE SPECIFIED ARE AS FOLLOWS:
 .X = ±.06 (1.6)
 .XX = ±.031 (.8)
 .XXX = ±.016 (.25)
 Ø = ±.005
 ANGLE TOL ± 1'



WIEGMANN
 FREEBURG, ILLINOIS, USA

-NOTICE- THIS DRAWING IS THE PROPERTY OF WIEGMANN, A DIVISION OF HUBBELL INCORPORATED. IT IS LOANED TO YOU AND MUST NOT BE USED IN ANY WAY DETRIMENTAL TO THE INTEREST OF WIEGMANN.

PART NUMBER:
 RHC483612

MATERIAL:
 SEE NOTE

SCALE: NONE
 DRAWN BY: PS
 CHK'D BY: VR

CHK'D DATE: 7/7/2014
 CREATED ON: 7/7/2014

DESCRIPTION:
 RHC, NEMA 3R ENCL., CS, 48X36X12

DWG. NO.
 HWDRHC483612_4.2

REV.
 A

SHEET 9 OF 9