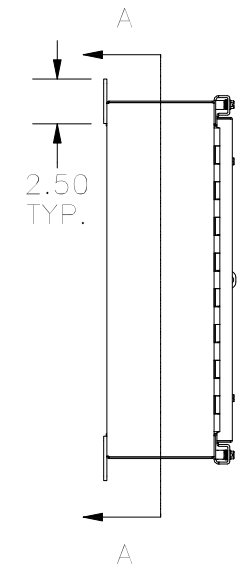
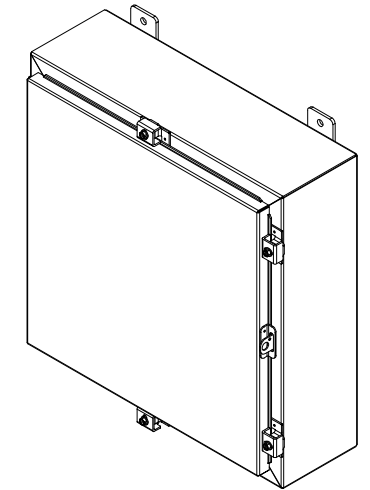
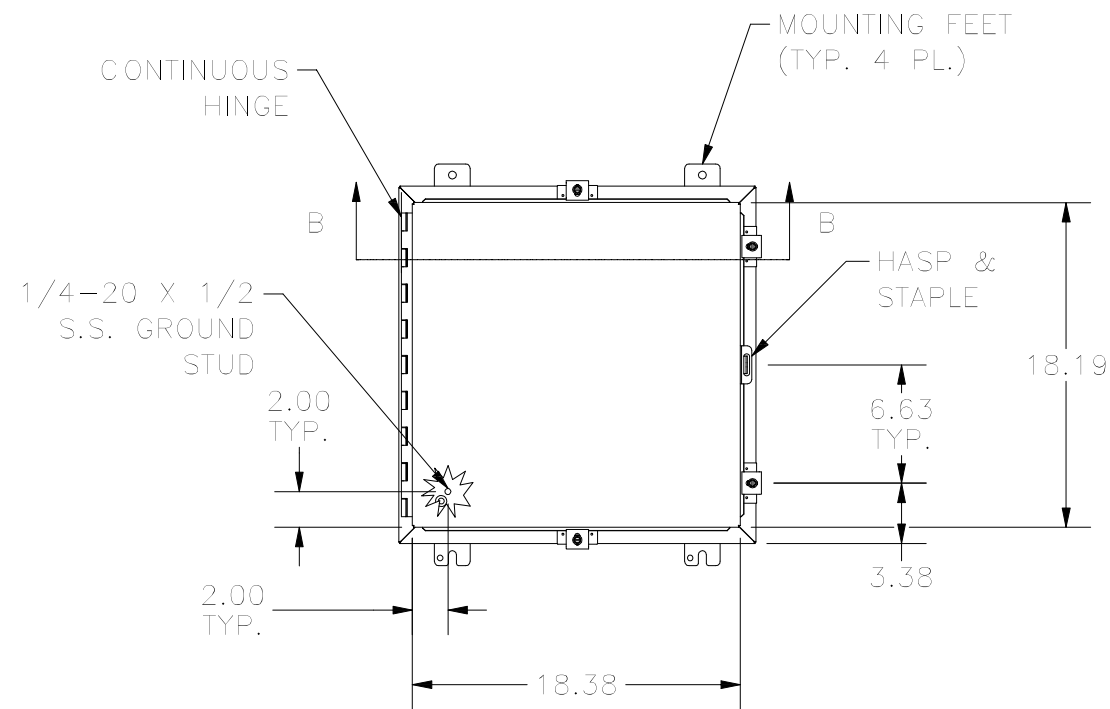


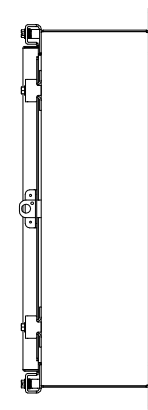
TOP VIEW



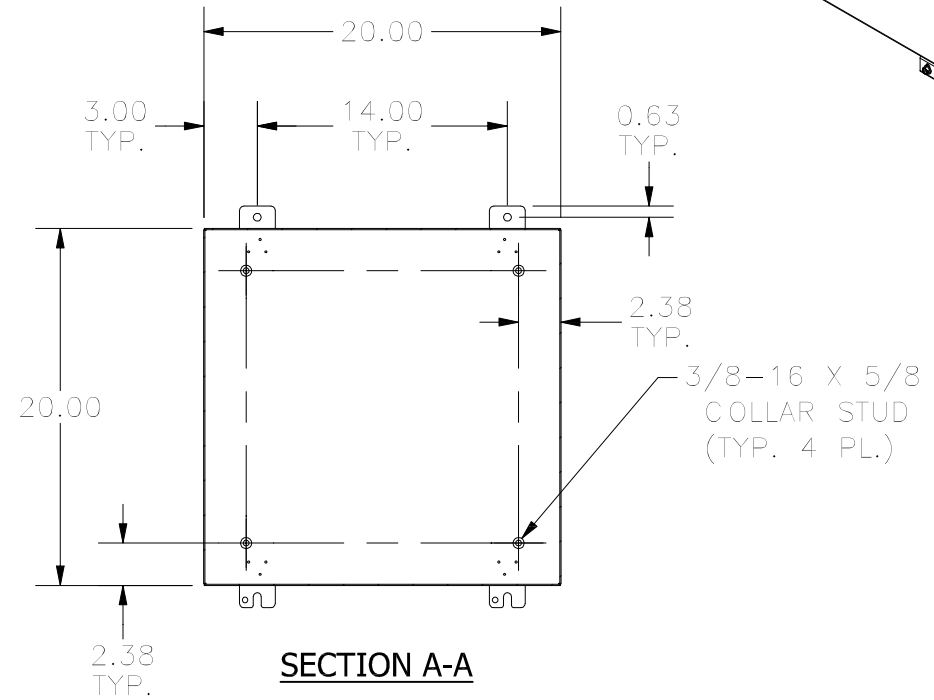
LEFT SIDE



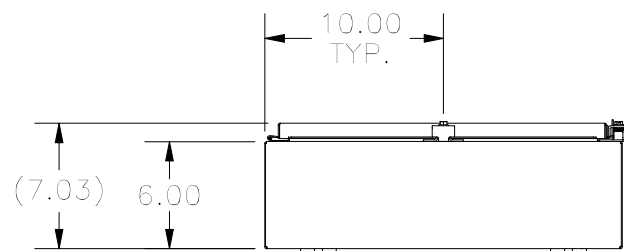
FRONT VIEW



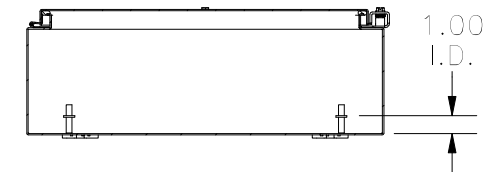
RIGHT VIEW



SECTION A-A



BOTTOM VIEW



SECTION B-B

PART#: N4202006  
 (DATA SUBJECT TO CHANGE WITHOUT NOTICE)

THIS DRAWING IS PROPERTY OF HUBBELL INC. WIEGMANN  
 ALL INFORMATION IS PROPRIETARY AND NOT TO BE DUPLICATED