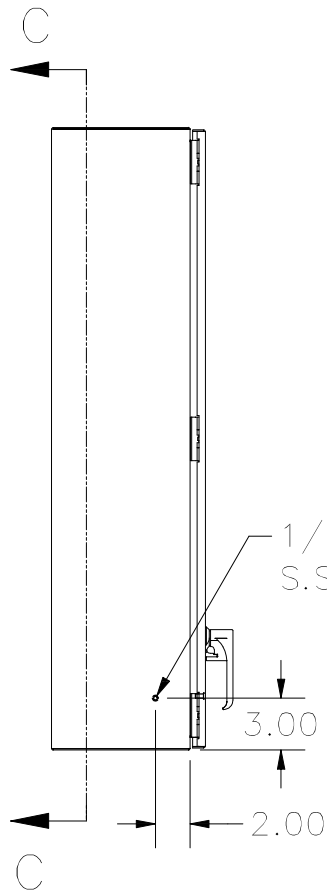
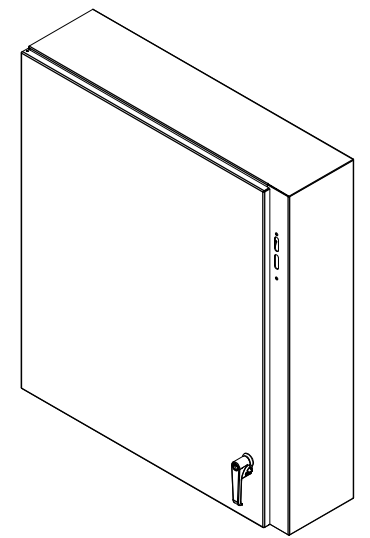
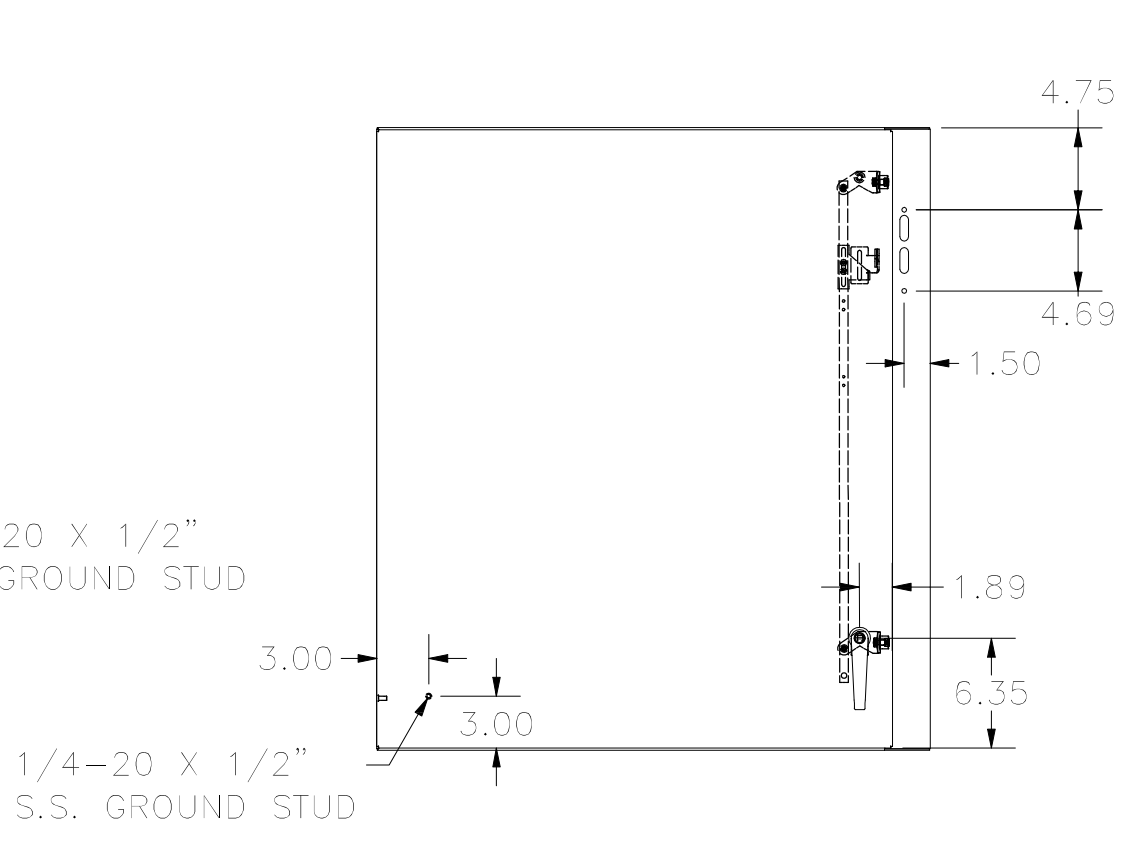


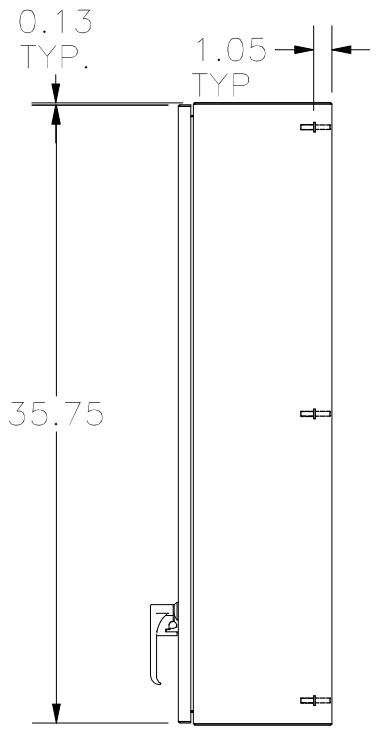
TOP VIEW



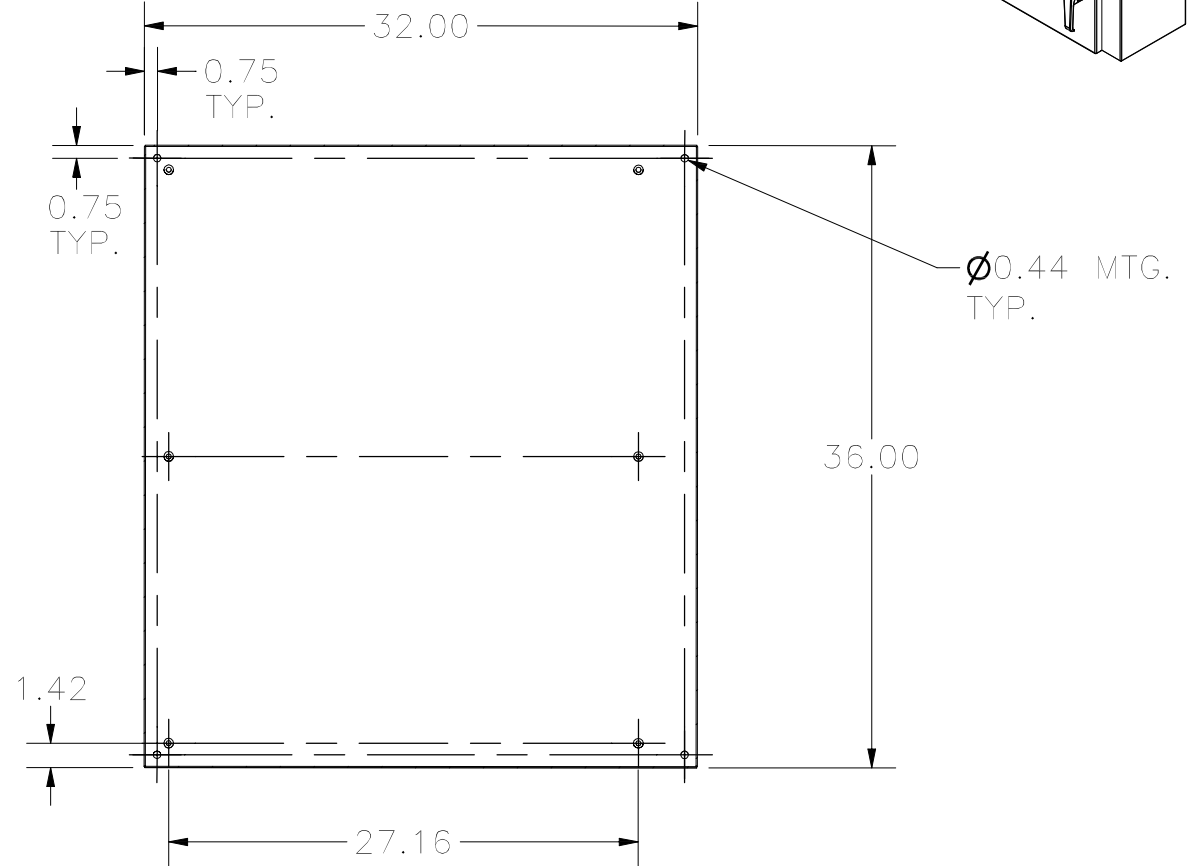
LEFT SIDE VIEW



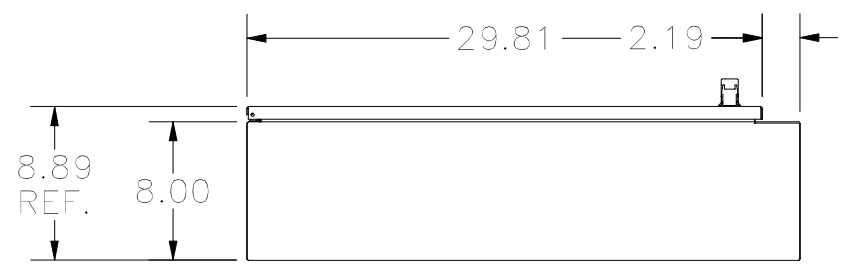
FRONT VIEW



RIGHT SIDE VIEW



SECTION C-C  
(INSIDE BACK OF ENCLOSURE)



BOTTOM VIEW

PART #: N412363208CD  
 (DATA SUBJECT TO CHANGE WITHOUT NOTICE.)  
 THIS DRAWING IS PROPERTY OF HUBBELL INC. WIEGMANN  
 ALL INFORMATION IS PROPRIETARY AND NOT TO BE DUPLICATED