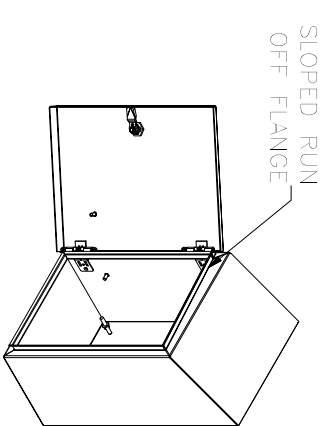
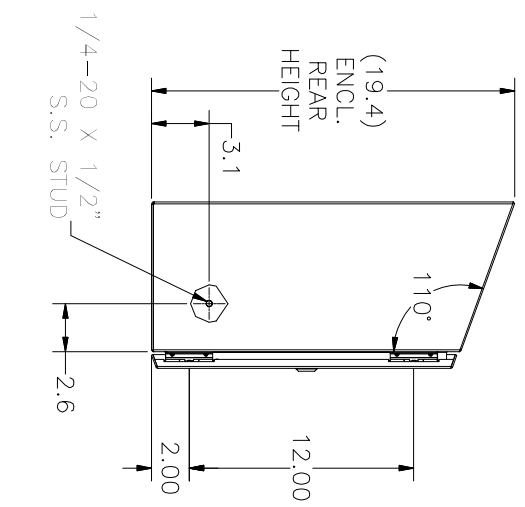


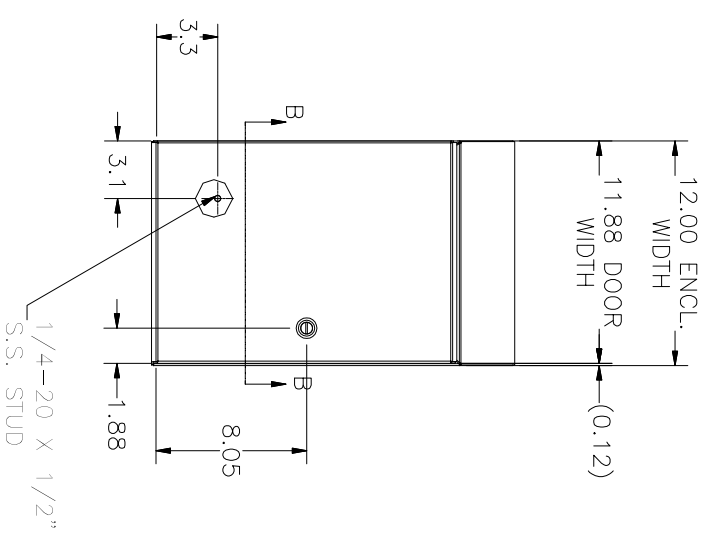
**TOP VIEW**



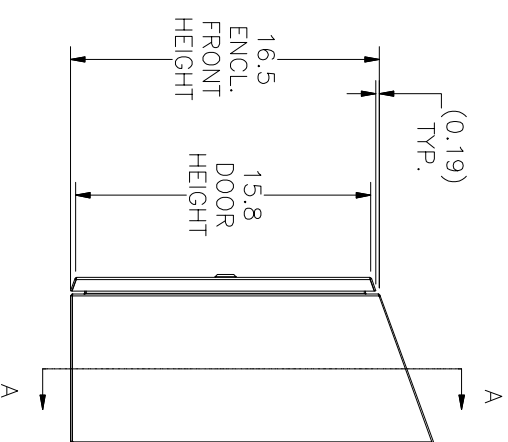
**REF. VIEW  
(DOOR OPEN)**



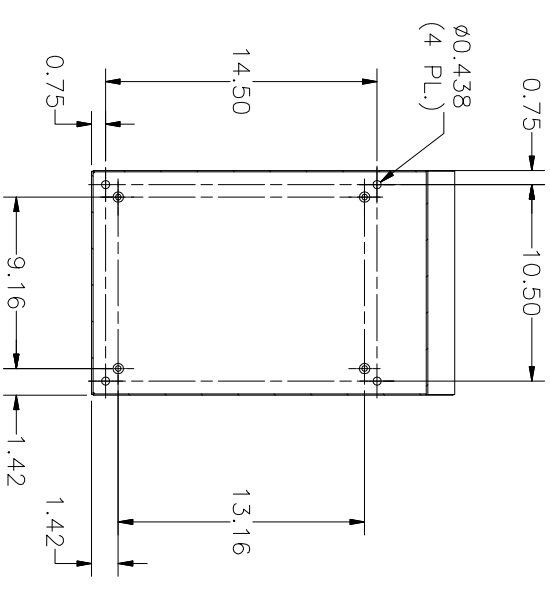
**LEFT SIDE VIEW**



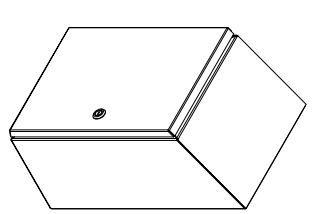
**FRONT VIEW**



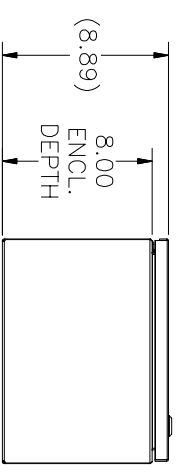
**RIGHT SIDE VIEW**



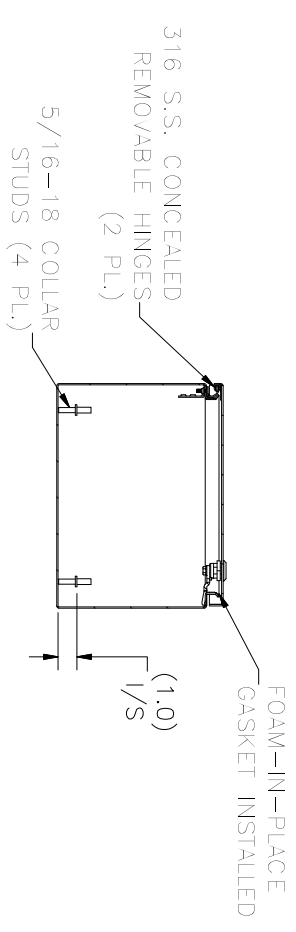
**SECTION A-A VIEW  
(INSIDE BACK OF ENCL.)**



**REF. VIEW  
(DOOR CLOSED)**



**BOTTOM VIEW**



**SECTION B-B VIEW  
(INSIDE TOP OF ENCL.)**

PART#: N412161208C SSST  
 (DATA SUBJECT TO CHANGE WITHOUT NOTICE)

THIS DRAWING IS PROPERTY OF HUBBELL INC. WIEGMANN  
 ALL INFORMATION IS PROPRIETARY AND NOT TO BE DUPLICATED