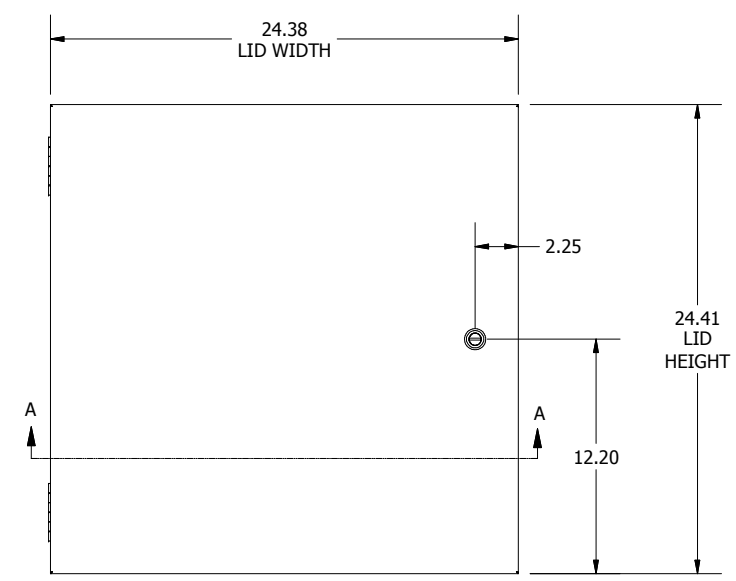
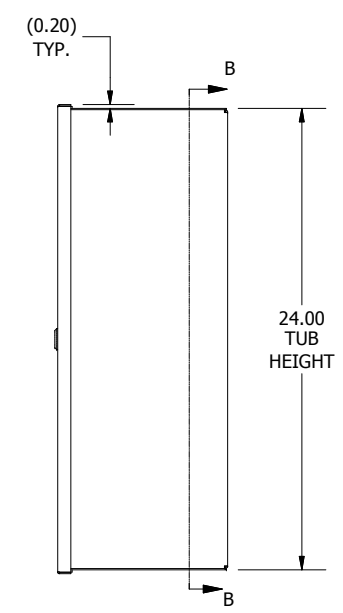


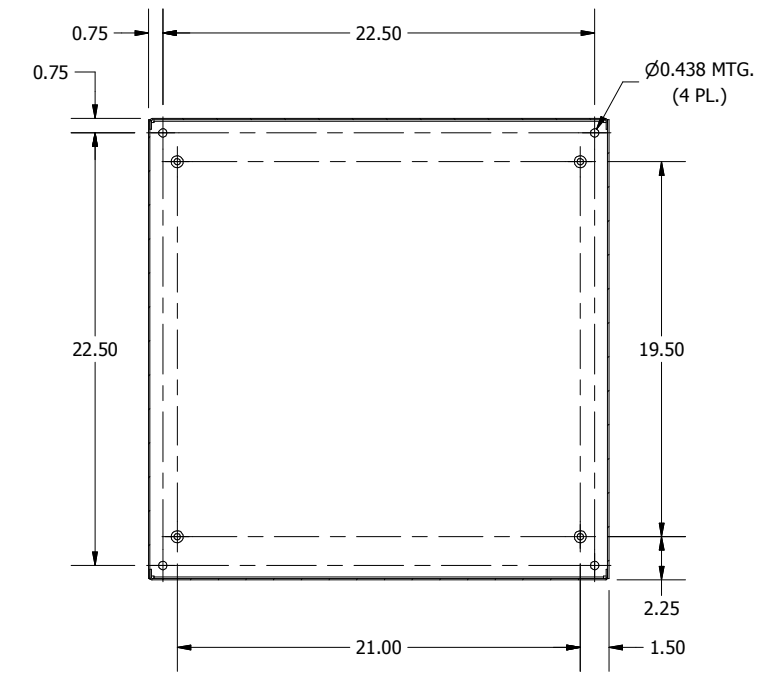
TOP VIEW



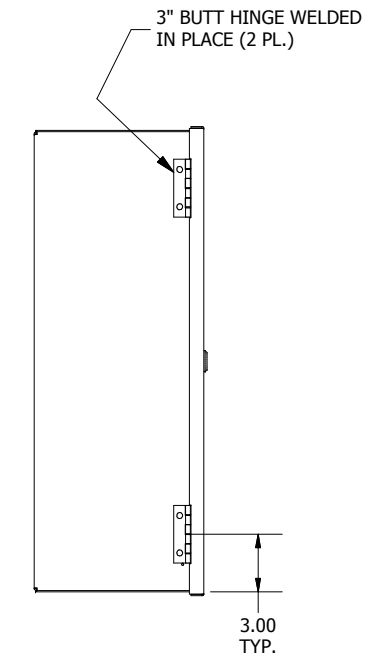
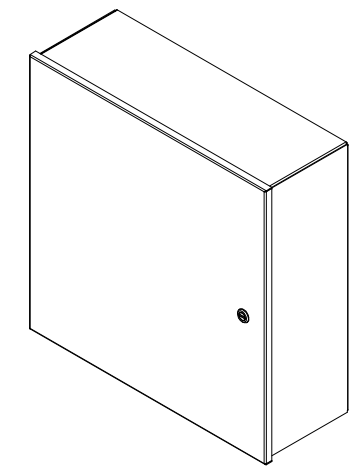
FRONT VIEW



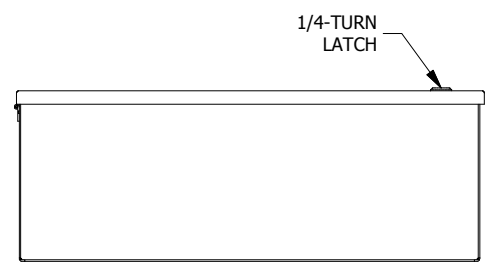
RIGHT SIDE VIEW



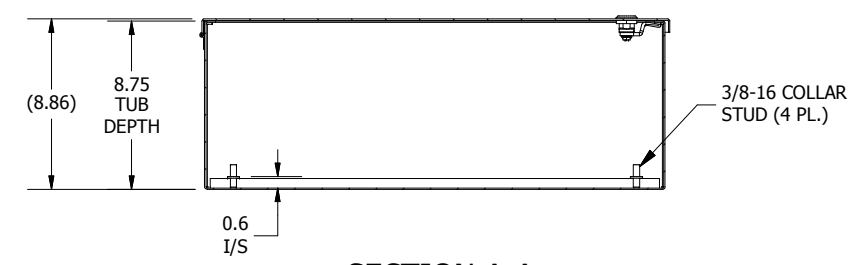
**SECTION B-B
(INSIDE BACK OF ENCL.)**



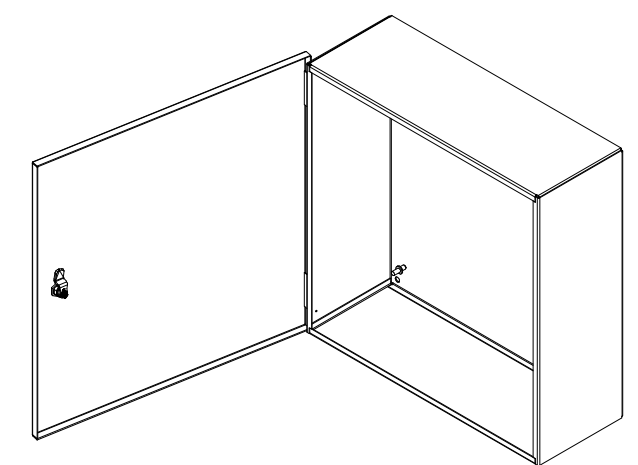
LEFT SIDE VIEW



BOTTOM VIEW



**SECTION A-A
(INSIDE TOP OF ENCL.)**



**PART#: HWDN1C242408LP
(DATA SUBJECT TO CHANGE WITHOUT NOTICE)**

THIS DRAWING IS PROPERTY OF HUBBELL INC. WIEGMANN
ALL INFORMATION IS PROPRIETARY AND NOT TO BE DUPLICATED