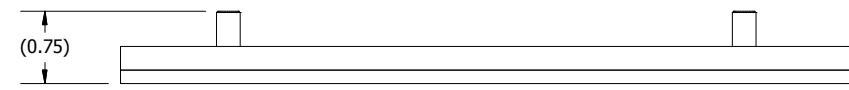
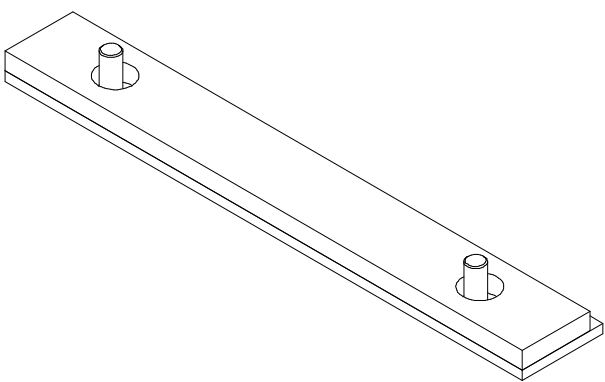
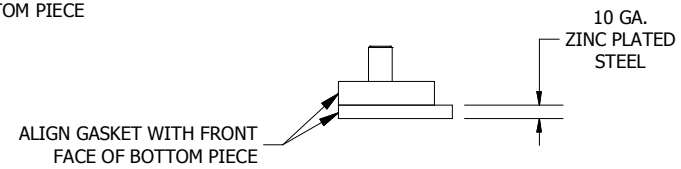


TOP VIEW

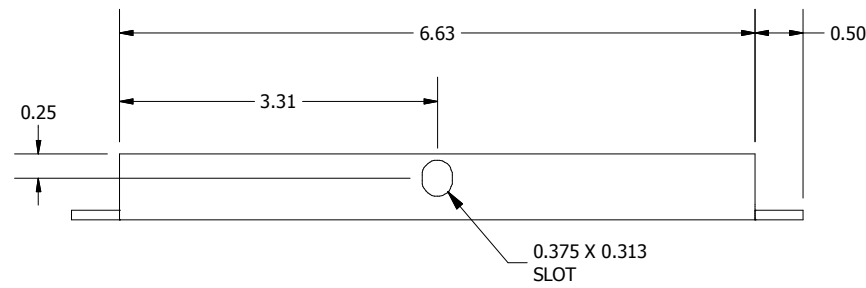


BOTTOM ASSEMBLY FRONT VIEW

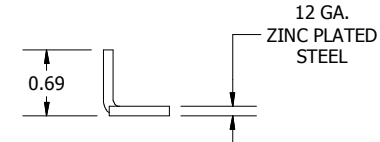
ALIGN SIDES OF GASKET WITH SIDE OF BOTTOM PIECE



SIDE VIEW



TOP PIECE FRONT VIEW



SIDE VIEW

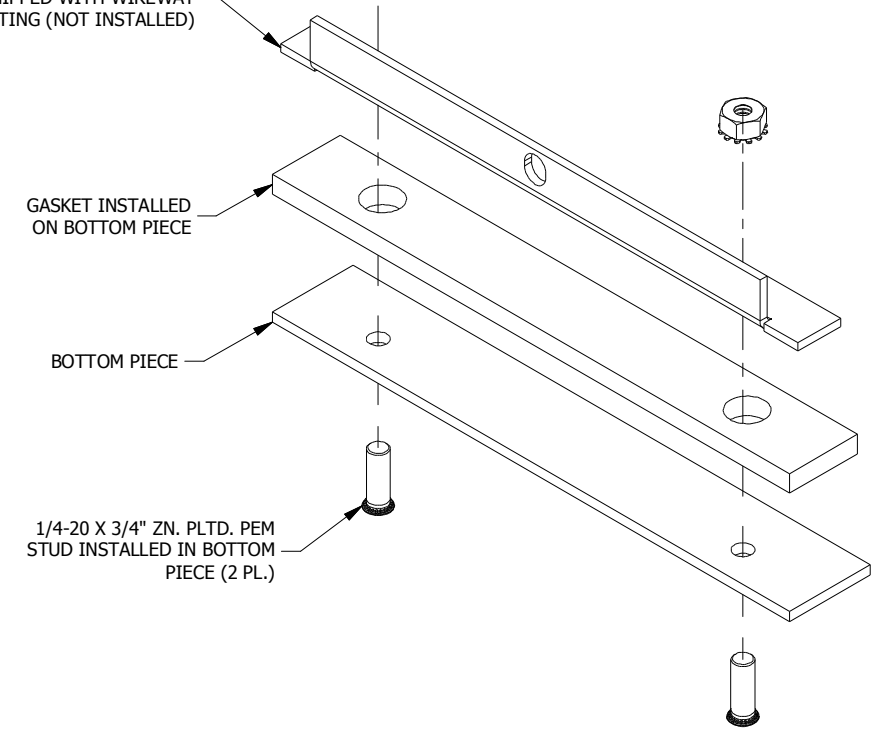
1/4-20 KEP NUT PACKAGED & SHIPPED WITH WIREWAY FITTING (NOT INSTALLED) (2 PL.)

TOP PIECE PACKAGED & SHIPPED WITH WIREWAY FITTING (NOT INSTALLED)

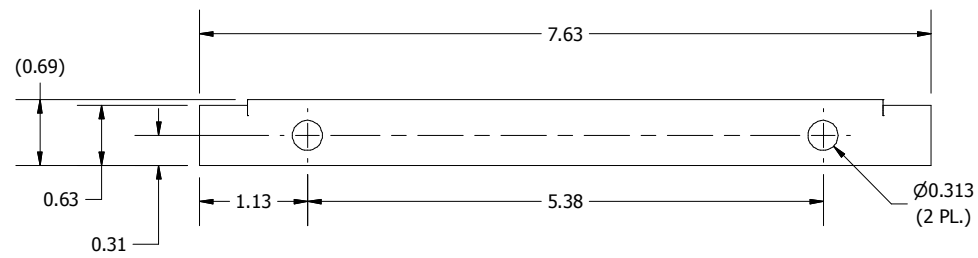
GASKET INSTALLED ON BOTTOM PIECE

BOTTOM PIECE

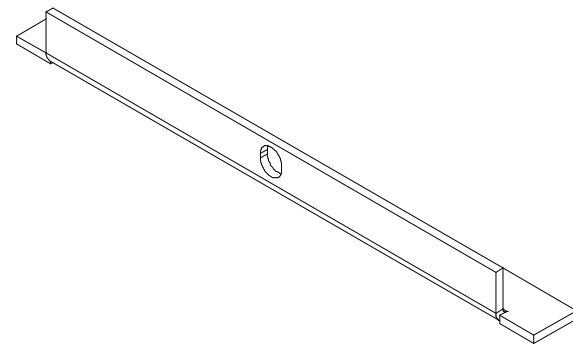
1/4-20 X 3/4" ZN. PLTD. PEM STUD INSTALLED IN BOTTOM PIECE (2 PL.)



ASSEMBLY EXPLODED VIEW



BOTTOM VIEW



PART#: LJW8ASP  
 (DATA SUBJECT TO CHANGE WITHOUT NOTICE)

THIS DRAWING IS PROPERTY OF HUBBELL INC. WIEGMANN  
 ALL INFORMATION IS PROPRIETARY AND NOT TO BE DUPLICATED