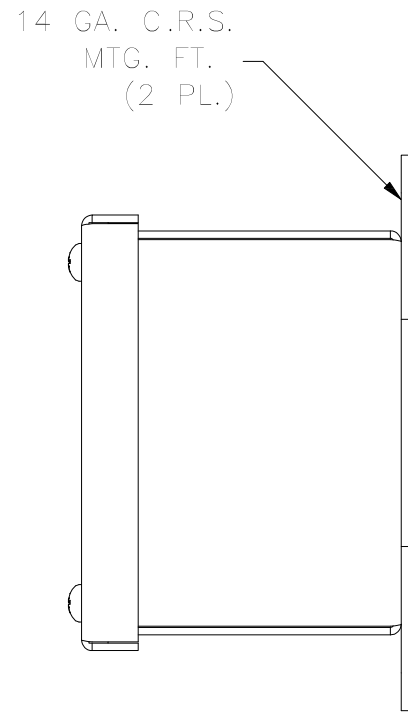
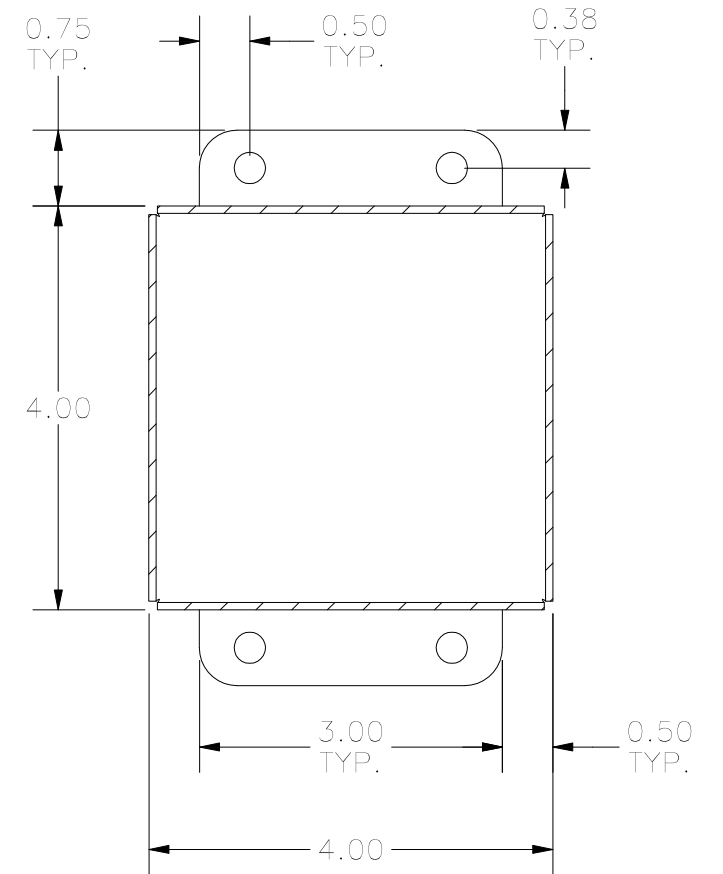


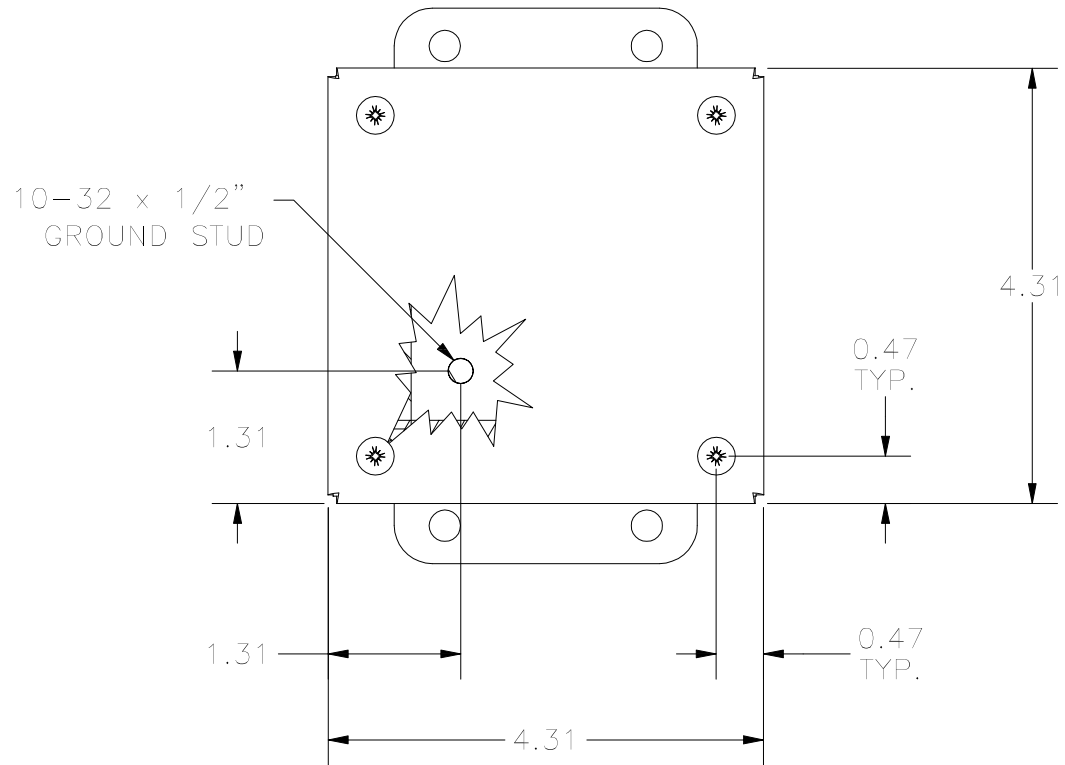
TOP VIEW



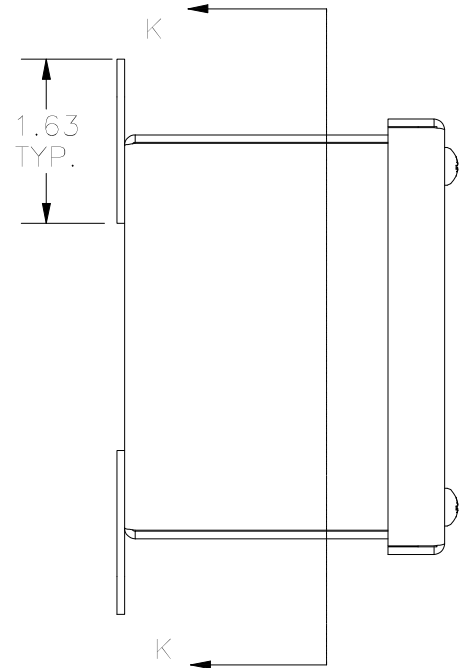
RIGHT SIDE VIEW



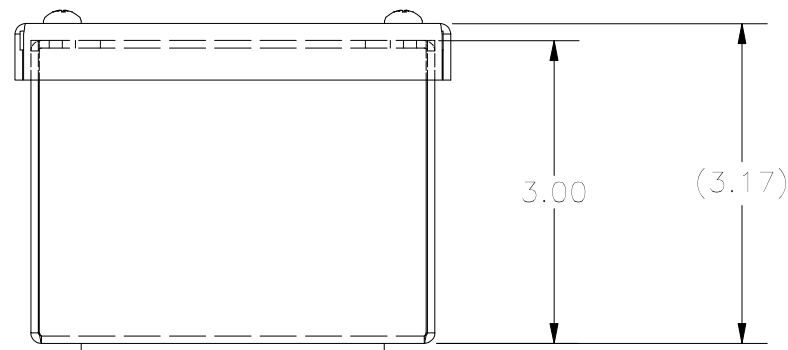
**SECTION K-K
(INSIDE BACK OF ENCLOSURE)**



FRONT VIEW



LEFT SIDE VIEW



BOTTOM VIEW

PART#: B040403SC
 (DATA SUBJECT TO CHANGE WITHOUT
 NOTICE)

THIS DRAWING IS PROPERTY OF HUBBELL INC. WIEGMANN
 ALL INFORMATION IS PROPRIETARY AND NOT TO BE DUPLICATED