

For Residential and Commercial Applications

Job Name _____

Contractor _____

Job Location _____

Approval _____

Engineer _____

Contractor's P.O. No. _____

Approval _____

Representative _____

LEAD FREE*

Series LFTP300 Trap Primer

Size: 1/2"

The Series LFTP300 operates by sensing the pressure drop in the supply line from downstream fixtures or appliances. The pressure reduction above the Valve Disc (2) causes the disk to move upward opening the Lower Disc Seal (4) and closing off the Upper Disc Seal (1). With the Lower Disc Seal (4) open the stored air pressure in the Air Chamber (5) pushes a portion of the contained volume of water from the lower chamber out through the opening beneath the Lower Disc Seal (4) to prime the trap. When there is no longer a demand in the supply line and the full line pressure is restored, the Valve Disc (2) lowers, opening the Upper Disc Seal (1), allowing flow through the One Way Seal (3), seating the Lower Disc Seal (4) and recharging the Air Chamber (5) for the next pressure drop cycle. The Series LFTP300 incorporates a built in vacuum breaker (6) which does not satisfy compliance to ASME A112.1.2. The Series LFTP300 features Lead Free* construction to comply with Lead Free* installation requirements.

This Engineering Sheet is not intended to replace the product installation and safety information available or the experience of a trained product installer. Please refer to the product installation instructions for further information.

Models

- LFTP300T - Threaded Inlet and Outlet Connect
- LFTP300S - Solder Inlet and Threaded Outlet Connect

Features

- Built in Vacuum Breaker Ports (6)

Specifications

A trap primer shall be installed in plumbing systems to prevent floor drain traps from losing their water seal by evaporation. Maintaining the water seal will prevent the backflow of sewer gas into the buildings or rooms where the traps are installed. Trap primers are specified in various plumbing codes such as IAPMO, Southern Standard Building Code, National Standard Plumbing Code and many state and local plumbing codes in U.S.A. and Canada. The device shall meet the requirements of ASSE Standard 1018. Lead Free* Trap Primer Series LFTP300 shall be constructed using Lead Free* materials. Lead Free Trap Primers shall comply with state codes and standards, where applicable, requiring reduced lead content. Watts Series LFTP300T (threaded), or LFTP300S (solder).

NOTICE

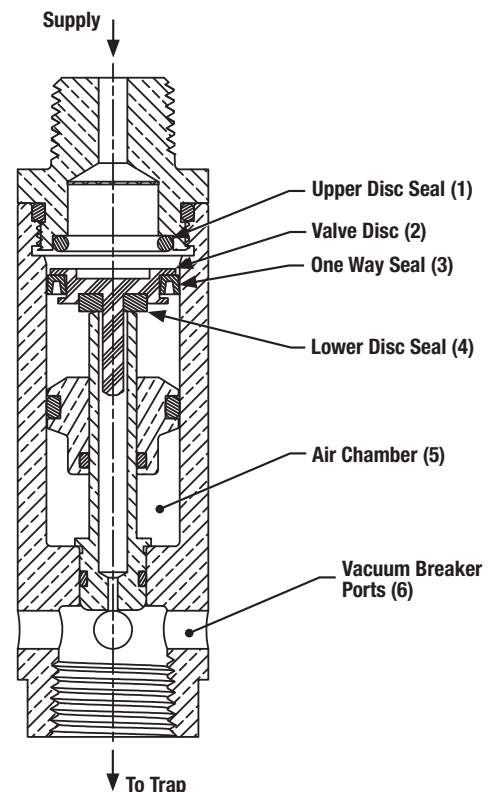
Inquire with governing authorities for local installation requirements.

*The wetted surface of this product contacted by consumable water contains less than 0.25% of lead by weight.



Model LFTP300T

Model LFTP300S



Watts product specifications in U.S. customary units and metric are approximate and are provided for reference only. For precise measurements, please contact Watts Technical Service. Watts reserves the right to change or modify product design, construction, specifications, or materials without prior notice and without incurring any obligation to make such changes and modifications on Watts products previously or subsequently sold.

Materials

Lead Free Adapter
 Brass Body (Lead)
 EPDM Seals

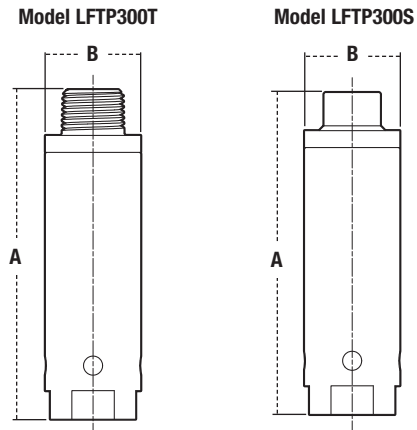
Pressure

Maximum supply pressure: 125psi.
 Minimum supply pressure must exceed 25psi.

Operating Requirements

Activates with a 10psig pressure drop between 25-125psi. Must be installed on a cold water line serving a frequently used fixture. For proper trap priming, minimum flows must exceed those stated in the flow chart.

Dimensions – Weights



MODEL	SIZE	DIMENSIONS				WEIGHT	
		A		B		lbs.	kgs.
	in.	in.	mm	in.	mm		
LFTP300T	1/2	4 ⁵ / ₁₆	110	1 ¹ / ₄	32	.97	.44
LFTP300S	1/2	4 ¹ / ₄	107	1 ¹ / ₄	32	.92	.42

Standards



Tested and approved in conformance with Standard 1018 of the American Society of Sanitary Engineers. Listed by IAPMO and CSA.

Flow Chart

INLET PRESSURE	25	50	75	100	125
*GPM	1.1	1.6	2.0	2.3	2.4
*LPM	4.2	6.1	7.6	8.7	9.1

*Minimum cold flow required for proper trap priming.



A Watts Water Technologies Company



USA: Tel: (978) 688-1811 • Fax: (978) 794-1848 • www.watts.com
 Canada: Tel: (905) 332-4090 • Fax: (905) 332-7068 • www.watts.ca