

For Non-Health Hazard Applications

Job Name _____
 Job Location _____
 Engineer _____
 Approval _____

Contractor _____
 Approval _____
 Contractor's P.O. No. _____
 Representative _____

LEAD FREE*

Series 850 Double Check Valve Assemblies

Size: 1/2" - 2" (15mm - 50mm)

The FEBCO Series 850 Double Check Valve Assemblies are designed for non-health hazard applications. End Connections – NPT ANSI / ASME B1.20.1

Pressure – Temperature

Max. Working Pressure: 175psi (12.1 bar)
 Hydrostatic Test Press: 350psi (24.1 bar)
 Temperature Range: 32°F to 140°F (0°C to 60°C)

Materials

Valve Body: Bronze
 Elastomers: Silicone
 Springs: Stainless Steel

Models

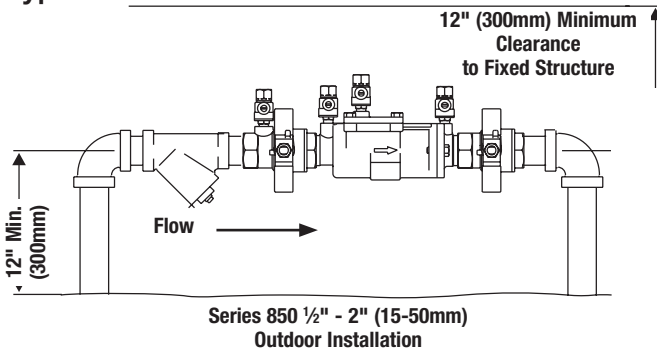
- Wye - Strainer

Approvals – Standards

- ANSI/AWWA Conformance (C510-92)
- Approved by the Foundation for Cross-Connection Control and Hydraulic Research at the University of Southern California.

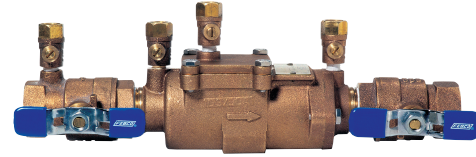


Typical Installation



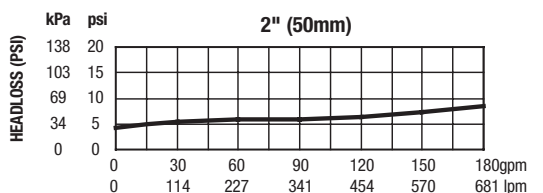
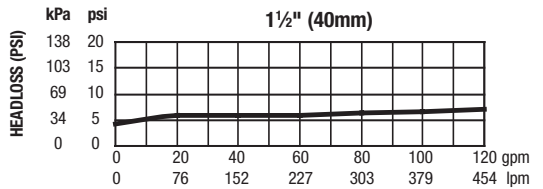
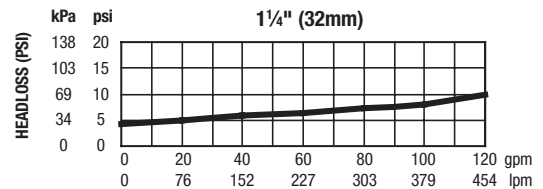
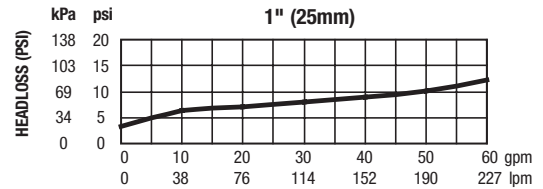
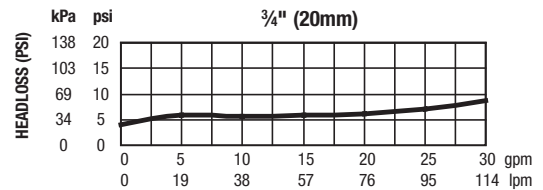
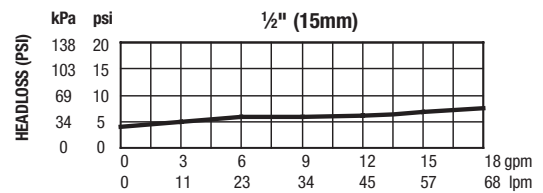
⚠ WARNING

It is illegal to use this product in any plumbing system providing water for human consumption, such as drinking or dishwashing, in the United States. Before installing standard material product, consult your local water authority, building and plumbing codes.



Series 850

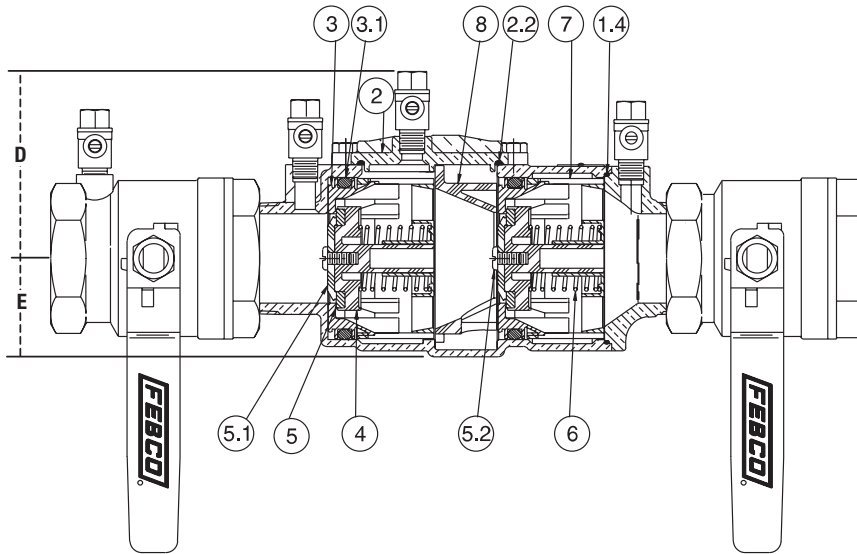
Capacity



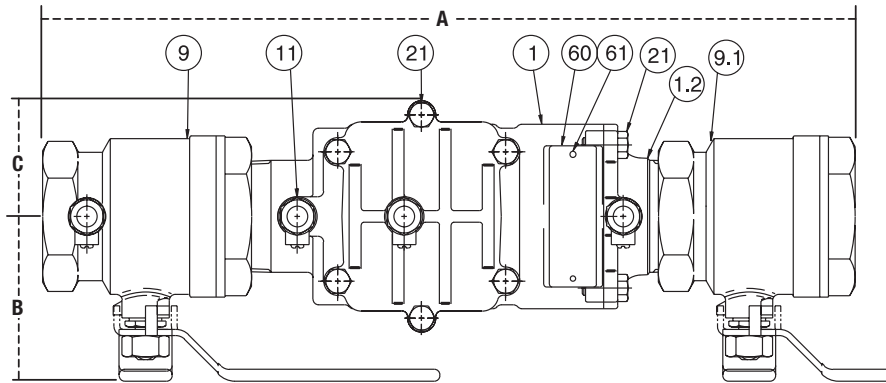
A WATTS Brand

FEBCO product specifications in U.S. customary units and metric are approximate and are provided for reference only. For precise measurements, please contact FEBCO Technical Service. FEBCO reserves the right to change or modify product design, construction, specifications, or materials without prior notice and without incurring any obligation to make such changes and modifications on FEBCO products previously or subsequently sold.

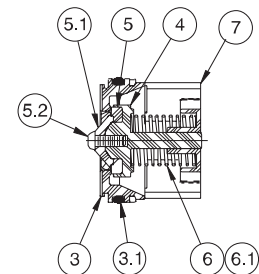
Series 850 / Size: 1/2" - 2" (15mm - 50mm)



ITEM	DESCRIPTION	MATERIALS
1	Body	Bronze
1.2	Tailpiece	Bronze
1.4	O-Ring	Silicone
2	Cover	Bronze
2.2	O-Ring	Silicone
3	Seat	Noryl®
3.1	O-Ring	Silicone
4	Poppet	Noryl®
5	Seat Disc	Silicone
5.1	Disc Retainer	Noryl®
5.2	Rnd HD Screw	Stainless Steel
6	Spring	Stainless Steel
7	Guide	Noryl®
8	Retainer Spacer	Noryl®
9	Ball Valve (w/tap)	Bronze
9.1	Ball Valve	Bronze
11	Test Cock	Bronze
21	Hex HD Capscrew	Stainless Steel
60	Identification Plate	Brass
61	Drive Screw Stick	Stainless Steel



Check Assembly



Dimensions and Weights

Size: 1/2" - 2" (15 - 50mm)

SIZE (DN)		DIMENSIONS										WEIGHT	
		A		B		C		D		E			
in.	mm	in.	mm	in.	mm	in.	mm	in.	mm	in.	mm	lbs.	kgs.
1/2	15	10	254	1 1/2	38	1 1/2	38	3 3/8	79	1 1/4	32	4.2	1.9
3/4	20	10 3/4	273	1 1/2	38	1 1/2	38	3 3/8	79	1 1/4	32	4.4	2.0
1	25	12 1/2	318	1 7/8	48	1 5/8	41	3 3/8	86	1 1/2	38	6.8	3.1
1 1/4	32	15 5/8	403	3	76	2 1/2	64	4 1/4	108	2 1/4	57	15.8	7.2
1 1/2	40	16 3/8	416	3	76	2 1/2	64	4 1/4	108	2 1/4	57	16.2	7.4
2	50	17 5/8	450	3 1/2	89	2 1/2	64	4 1/4	108	2 1/4	57	21.1	9.6

Dimensions are nominal. Allowances must be made for normal manufacturing tolerances.



A WATTS Brand

USA: Tel: (800) 767-1234 • Fax: (800) 788-4491 • FEBCOonline.com
 Canada: Tel: (905) 332-4090 • Fax: (905) 332-7068 • FEBCOonline.ca
 Latin America: (52) 81-1001-8600 • Fax: (52) 81-8000-7091 • FEBCOonline.com