

# For Non-Health Hazard Applications

Job Name \_\_\_\_\_

Contractor \_\_\_\_\_

Job Location \_\_\_\_\_

Approval \_\_\_\_\_

Engineer \_\_\_\_\_

Contractor's P.O. No. \_\_\_\_\_

Approval \_\_\_\_\_

Representative \_\_\_\_\_

# LEAD FREE\*

## Series LF860

### Reduced Pressure Zone Assemblies

Size: 1/2" - 2"

The FEBCO Series LF860 Reduced Pressure Zone Assemblies are designed for use in health-hazard applications. The LF860S features Lead Free\* construction to comply with Lead Free\* installation requirements. End Connections – NPT ANSI / ASME B1.20.1. The Lead Free\* Reduced Pressure Zone Assemblies shall comply with state codes and standards, where applicable, requiring reduced lead content.

#### Pressure – Temperature

Max. Working Pressure: 175psi (12.1 bar)  
 Hydrostatic Test Pressure: 350psi (24.1 bar)  
 Temperature Range: 32°F to 140°F (0°C to 60°C)

#### Materials

Valve Body: Lead Free\* Cast Copper Silicon Alloy  
 Elastomers: Silicone  
 Springs: Stainless Steel

#### Models

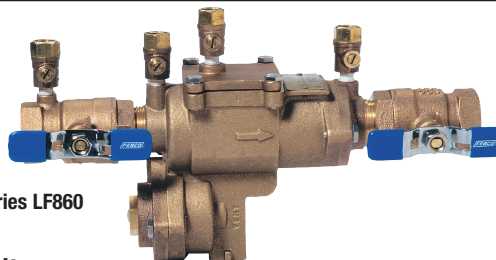
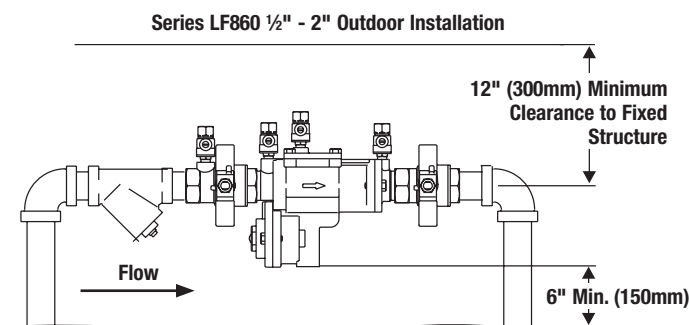
- LF860 - Standard Assembly with Ball Valves
- LF860U - Standard Assembly with Union Ball Valves

#### Approvals – Standards

- ANSI/AWWA Conformance (C511)
- Approved by the Foundation for Cross-Connection Control and Hydraulic Research at the University of Southern California.

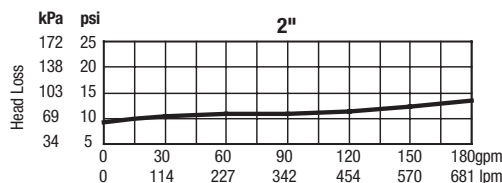
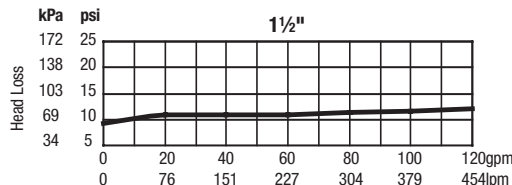
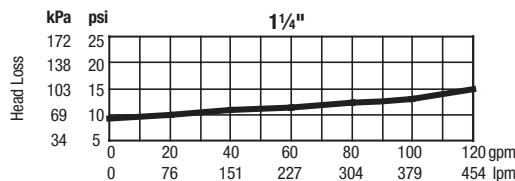
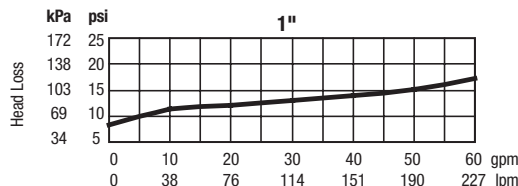
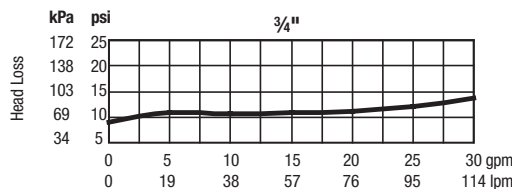
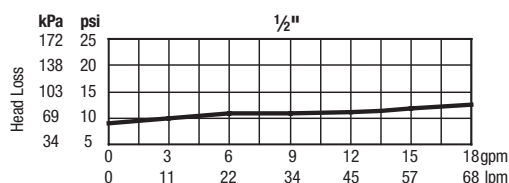


#### Typical Installation



Series LF860

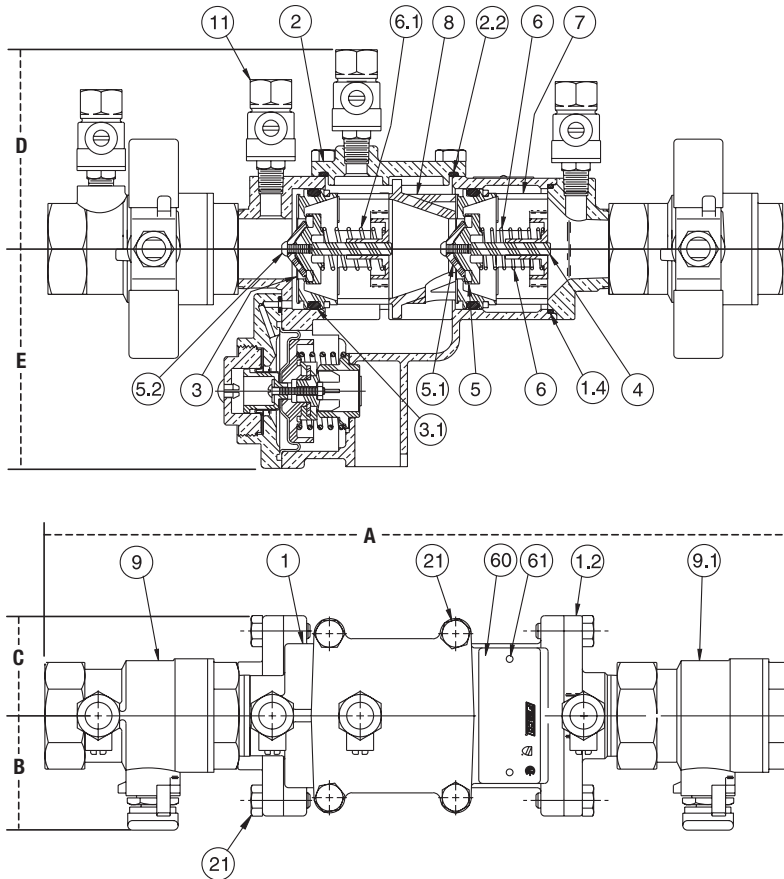
#### Capacity



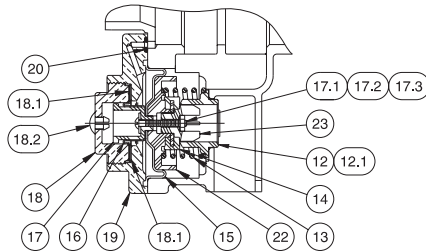
A WATTS Brand

FEBCO product specifications in U.S. customary units and metric are approximate and are provided for reference only. For precise measurements, please contact FEBCO Technical Service. FEBCO reserves the right to change or modify product design, construction, specifications, or materials without prior notice and without incurring any obligation to make such changes and modifications on FEBCO products previously or subsequently sold.

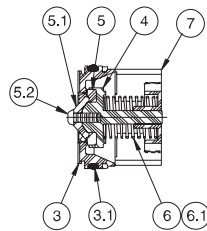
Series LF860 / Size: 1/2" - 2"



Relief Valve Assembly



Check Assembly



| ITEM | DESCRIPTION          | MATERIALS                               |
|------|----------------------|-----------------------------------------|
| 1    | Body                 | Lead Free* Cast Copper<br>Silicon Alloy |
| 1.2  | Tailpiece            | Lead Free* Cast Copper<br>Silicon Alloy |
| 1.4  | O-Ring               | Silicone                                |
| 2    | Cover                | Lead Free* Cast Copper<br>Silicon Alloy |
| 2.2  | O-Ring               | Silicone                                |
| 3    | Seat                 | Noryl®                                  |
| 3.1  | O-Ring               | Silicone                                |
| 4    | Poppet               | Noryl®                                  |
| 5    | Seat Disc            | Silicone Rubber                         |
| 5.1  | Disc Retainer        | Noryl®                                  |
| 5.2  | Rnd HD Screw         | Phillips, 18-8 SS                       |
| 6    | Spring               | SS                                      |
| 6.1  | Spring               | SS                                      |
| 7    | Guide                | Noryl®                                  |
| 8    | Retainer Spacer      | Noryl®                                  |
| 9    | Ball Valve (w/tap)   | Lead Free* Cast Copper<br>Silicon Alloy |
| 9.1  | Ball Valve           | Lead Free* Cast Copper<br>Silicon Alloy |
| 11   | Test Cock            | Lead Free* Cast Copper<br>Silicon Alloy |
| 12   | Seat Ring-RV         | Noryl®                                  |
| 12.1 | Gasket Ring-RV       | Silicone Rubber                         |
| 13   | Spring-RV            | SS                                      |
| 14   | Seat Disc-RV         | Silicone Rubber/SS                      |
| 15   | Diaphragm-RV         | Rubber/Fabric                           |
| 16   | Outer Diaphragm-RV   | Rubber/Fabric                           |
| 17   | Small Piston-RV      | Noryl®                                  |
| 17.1 | Rnd HD Screw         | Phillips, 18-8 SS                       |
| 17.2 | Washer               | 18-8 SS                                 |
| 17.3 | Hex Nut              | 18-8 SS                                 |
| 18   | Cylinder-RV          | Lead Free* Cast Copper<br>Silicon Alloy |
| 18.1 | Slip Ring-Cylinder   | Acetal                                  |
| 18.2 | Slide (Plug)         | Nylon                                   |
| 19   | Cover-RV             | Lead Free* Cast Copper<br>Silicon Alloy |
| 20   | O-Ring               | Silicone                                |
| 21   | Hex HD Capscrew      | 18-8 SS                                 |
| 22   | Large Piston-RV      | Noryl®                                  |
| 23   | Guide-RV             | Noryl®                                  |
| 60   | Identification Plate | Brass                                   |
| 61   | Drive Screw Stick    | SS                                      |

\* The wetted surface of this product contacted by consumable water contains less than 0.25% of lead by weight.

Noryl® is a registered trademark of SABIC Innovative Plastics™.

**NOTICE**

The gap drain is not designed to catch the maximum discharge possible from the relief valve. The installation of FEBCO air gap with the drain line terminating above a floor drain will handle any normal discharge or nuisance spitting through the relief valve. However, floor drain size may need to be designed to prevent water damage caused by a catastrophic failure condition. Do not reduce the size of the drain line from the air gap fitting.

**NOTICE**

Inquire with governing authorities for local installation requirements.

**NOTICE**

The information contained herein is not intended to replace the full product installation and safety information available or the experience of a trained product installer. You are required to thoroughly read all installation instructions and product safety information before beginning the installation of this product.

Dimensions – Weights

Size: 1/2" - 2"

| SIZE  | DIMENSIONS |     |       |    |       |    |       |     |       |     | WEIGHT |      |
|-------|------------|-----|-------|----|-------|----|-------|-----|-------|-----|--------|------|
|       | A          |     | B     |    | C     |    | D     |     | E     |     | lbs.   | kgs. |
|       | in.        | mm  | in.   | mm | in.   | mm | in.   | mm  | in.   | mm  |        |      |
| 1/2   | 10         | 254 | 1 1/2 | 38 | 1 1/2 | 38 | 3 1/8 | 79  | 3 1/2 | 89  | 5.6    | 2.5  |
| 3/4   | 10 3/4     | 273 | 1 1/2 | 38 | 1 1/2 | 38 | 3 1/8 | 79  | 3 1/2 | 89  | 5.8    | 2.6  |
| 1     | 12 1/2     | 318 | 1 7/8 | 48 | 1 5/8 | 41 | 3 3/8 | 86  | 3 5/8 | 92  | 9.2    | 4.2  |
| 1 1/4 | 15 7/8     | 403 | 3     | 76 | 2 1/2 | 64 | 4 1/4 | 108 | 5 1/8 | 143 | 20.6   | 9.2  |
| 1 1/2 | 16 3/8     | 416 | 3     | 76 | 2 1/2 | 64 | 4 1/4 | 108 | 5 1/8 | 143 | 20.6   | 9.4  |
| 2     | 17 3/8     | 450 | 3 1/2 | 89 | 2 1/2 | 64 | 4 1/4 | 108 | 5 1/8 | 143 | 24.8   | 11.3 |

Note: Dimensions are nominal. Allowances must be made for normal manufacturing tolerances.



A WATTS Brand

USA: Tel: (800) 767-1234 • Fax: (800) 788-4491 • FEBCOonline.com  
 Canada: Tel: (905) 332-4090 • Fax: (905) 332-7068 • FEBCOonline.ca  
 Latin America: (52) 81-1001-8600 • Fax: (52) 81-8000-7091 • FEBCOonline.com