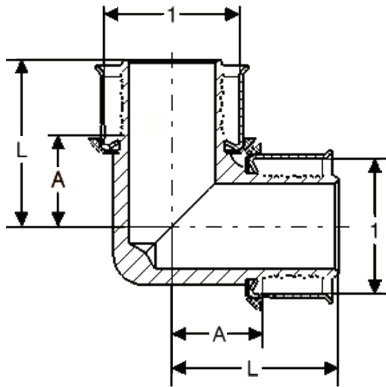


# Dimensional Documentation

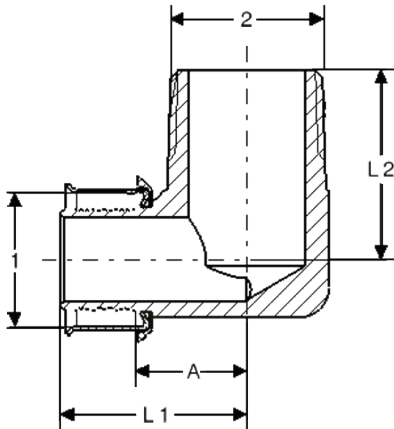


## Viega® PEX Press Zero Lead\* Fittings with Attached Sleeves



PEX Press 90° Elbow Zero Lead Bronze - Model 2816ZL

Part No	Dimensions 1	A (in)	L (in)
93520	1/2"	0.47	0.97
93530	5/8"	0.59	1.09
93540	3/4"	0.59	1.09
93560	1"	0.88	1.50
93570	1 1/4"	0.95	1.81
93580	1 1/2"	1.14	2.01
93590	2"	1.33	2.38

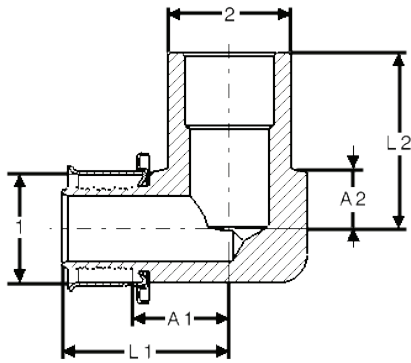


PEX Press 90° Elbow Zero Lead Bronze P x MPT - Model 2814ZL

Part No	Dimensions 1 x 2	A (in)	L1 (in)	L2 (in)
92520	1/2" x 1/2" MPT	0.64	1.13	1.06
92525	1/2" x 3/4" MPT	0.74	1.24	1.14
92540	3/4" x 3/4" MPT	0.74	1.24	1.13
92545	3/4" x 1" MPT	0.98	1.48	1.61
92560	1" x 1" MPT	0.98	1.60	1.61
92565	3/4" x 1 1/4" MPT	1.32	1.81	1.67
92570	1" x 1 1/4" MPT	1.31	1.93	1.67
92757	1 1/4" x 1 1/4" MPT	1.32	2.19	1.67
92580	1 1/2" x 1 1/2" MPT	1.34	2.21	1.73
92590	2" x 2" MPT	1.65	2.70	2.07

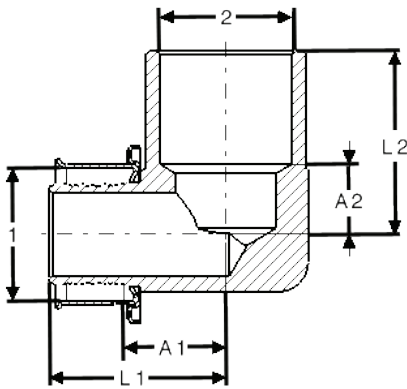
\*Zero Lead identifies Viega® products meeting the lead free requirements of NSF 61-G through testing under NSF/ANSI 372 (0.25% or less maximum weighted average lead content).

# Dimensional Documentation



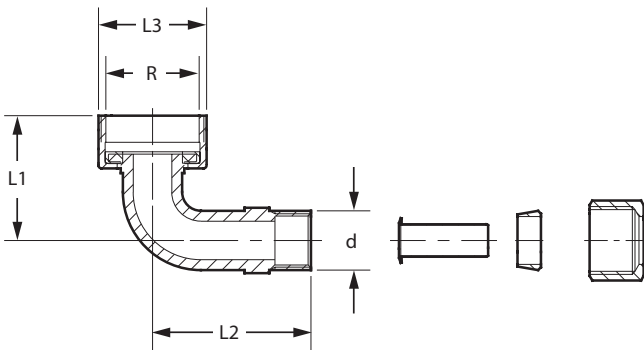
PEX Press 90° Elbow Zero Lead Bronze P x Street - Model 2814.6ZL

Part No	Dimensions 1 x 2	A1 (in)	A2 (in)	L1 (in)	L2 (in)
99310	1/2" x 1/2"	0.58	0.47	1.07	1.06
99307	1/2" x 3/4"				
99311	3/4" x 3/4"				



PEX Press 90° Elbow Zero Lead Bronze P x FTG - Model 2814.7ZL, 2815.5ZL

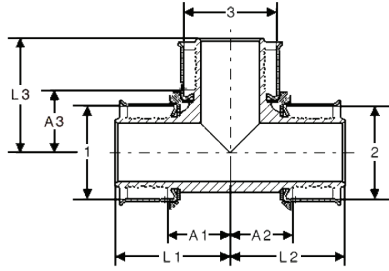
Part No	Dimensions 1 x 2	A1 (in)	A2 (in)	L1 (in)	L2 (in)
99307	1/2" x 1/2"	0.71	0.72	1.20	1.23
99308	1/2" x 3/4"	0.68	0.47	1.18	1.22
99313	5/8" x 1/2"	0.68	0.72	1.18	1.23
99312	5/8" x 3/4"	0.68	0.48	1.18	1.23
99311	3/4" x 1/2"	0.71	0.72	1.20	1.23
99309	3/4" x 3/4"	0.68	0.47	1.18	1.22



PEX Press Compression 90° Elbow Zero Lead Copper CTS x Hose - Model V5053

Part Number	Size	L1 (in)	L2 (in)	L3 (in)
	d x R			
46743	3/8" CTS (1/2" O.D.) comp x 3/4" Hose	1.32	1.67	1.14

# Dimensional Documentation

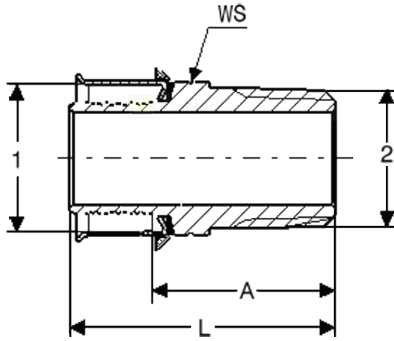


## PEX Press Tee Zero Lead Bronze P x P x P - Model 2818ZL

Part No	Dimensions 1 x 2 x 3	A1 (in)	A2 (in)	A3 (in)	L1 (in)	L2 (in)	L3 (in)
94020	1/2"	0.47	0.47	0.47	0.97	0.97	0.97
94021	1/2" x 3/8" x 3/8"	0.47	0.47	0.47	0.97	0.97	0.97
94022	1/2" x 1/2" x 3/4"	0.62	0.62	0.59	1.12	1.12	1.09
94030	5/8"	0.59	0.59	0.59	1.09	1.09	1.09
94040	3/4"	0.59	0.59	0.59	1.09	1.09	1.09
94032	3/4" x 1/2" x 1/2"	0.59	0.59	0.62	1.09	1.09	1.12
94034	3/4" x 1/2" x 3/4"	0.59	0.62	0.59	1.09	1.12	1.09
94036	3/4" x 3/4" x 1/2"	0.59	0.59	0.62	1.09	1.09	1.12
94060	1"	0.88	0.88	0.88	1.50	1.50	1.50
94037	1" x 1/2" x 1/2"	0.58	0.59	0.82	1.20	1.08	1.32
94039	1" x 1/2" x 1"	0.76	0.74	0.76	1.38	1.24	1.38
94038	1" x 3/4" x 1/2"	0.58	0.59	0.82	1.20	1.08	1.32
94052	1" x 3/4" x 3/4"	0.80	0.76	0.84	1.40	1.26	1.34
94053	1" x 3/4" x 1"	0.76	0.71	0.76	1.38	1.20	1.38
94050	1" x 1" x 1/2"	0.68	0.68	0.84	1.30	1.30	1.34
94056	1" x 1" x 3/4"	0.80	0.80	0.84	1.42	1.42	1.34
94070	1 1/4"	1.00	1.00	1.00	1.87	1.87	1.87
94071	1 1/4" x 1" x 3/4"	0.73	0.74	0.98	1.59	1.36	1.48
94073	1 1/4" x 1" x 1"	0.81	0.82	0.99	1.67	1.44	1.61
94072	1 1/4" x 1 1/4" x 3/4"	0.79	0.73	0.99	1.59	1.59	1.48
94074	1 1/4" x 1 1/4" x 1"	0.81	0.81	0.99	1.67	1.67	1.61
94080	1 1/2"	1.14	1.14	1.14	2.01	2.01	2.01
94081	1 1/2" x 1" x 3/4"	0.73	0.66	1.13	1.59	1.28	1.62
94082	1 1/2" x 1" x 1"	0.85	0.86	1.13	1.71	1.48	1.75
94083	1 1/2" x 1 1/2" x 3/4"	0.73	0.73	1.13	1.59	1.59	1.62
94084	1 1/2" x 1 1/2" x 1"	0.85	0.85	1.19	1.71	1.71	1.81
94085	1 1/2" x 1 1/2" x 1 1/4"	0.98	0.98	1.14	1.85	1.85	2.00
94090	2"	1.33	1.33	1.33	2.38	2.38	2.38
94091	2" x 1 1/2" x 1"	1.34	1.36	1.35	2.38	2.22	1.97
94092	2" x 1 1/2" x 1 1/4"	1.34	1.36	1.40	2.38	2.22	2.26
94093	2" x 1 1/2" x 1 1/2"	1.34	1.36	1.40	2.38	2.22	2.26

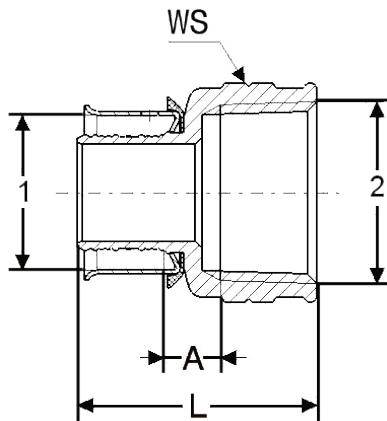
# Dimensional Documentation

**viega**



**PEX Press Adapter Zero Lead Bronze P x MPT - Model 2811ZL**

Part No	Dimensions 1 x 2	A (in)	L (in)	WS (in)
90506	3/8" x 1/2" MPT	1.14	1.63	0.87
90521	1/2" x 1/2" MPT	1.10	1.59	0.87
90526	1/2" x 3/4" MPT	1.15	1.64	1.06
90527	5/8" x 1/2" MPT	1.10	1.59	0.87
90531	5/8" x 3/4" MPT	1.15	1.64	1.06
90542	3/4" x 1/2" MPT	1.10	1.59	0.87
90541	3/4" x 3/4" MPT	1.15	1.64	1.06
90546	3/4" x 1" MPT	1.41	1.91	1.34
90562	3/4" x 1 1/4" MPT	1.65	2.10	1.73
90556	1" x 3/4" MPT	1.18	1.80	1.06
90561	1" x 1" MPT	1.41	2.03	1.34
90566	1" x 1 1/4" MPT	1.60	2.22	1.73
90571	1 1/4" x 1 1/4" MPT	1.63	2.50	1.73
90581	1 1/2" x 1 1/2" MPT	1.79	2.66	1.97
90591	2" x 2" MPT	2.08	3.13	2.44



**PEX Press Adapter Zero Lead Bronze P x FPT - Model 2812ZL**

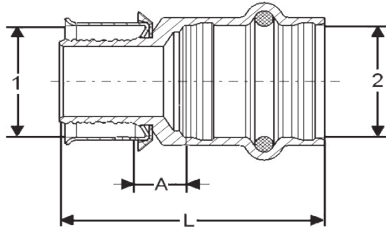
Part No	Dimensions 1 x 2	A (in)	L (in)	WS (in)
91520	1/2" x 1/2" FPT	0.35	1.38	0.98
91525	1/2" x 3/4" FPT	0.37	1.42	1.20
91541*	3/4" x 1/2" FPT	0.31	1.34	0.98
91540	3/4" x 3/4" FPT	0.37	1.42	1.20
91545	1" x 3/4" FPT	0.40	1.58	1.20
91560	1" x 1" FPT	0.41	1.69	1.48
91570	1 1/4" x 1 1/4" FPT	0.58	2.13	1.85
91580	1 1/2" x 1 1/2" FPT	0.60	2.15	2.09
91590	2" x 2" FPT	0.62	2.36	2.60

\*UL1821 listed for use in NFPA 13D systems

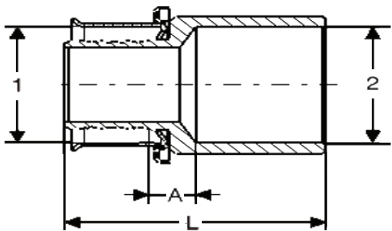
# Dimensional Documentation



PEX Press Adapter Smart Connect Feature Zero Lead Bronze P x P - Model 2813PZL



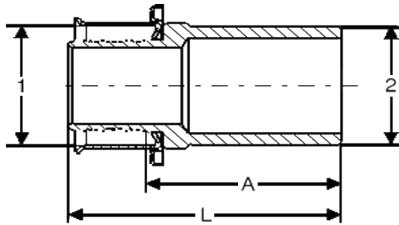
Part No	Dimensions 1 x 2	A (in)	L (in)
99620	1/2" x 1/2"	0.29	1.61
99626	1/2" x 3/4"	0.43	1.83
99627	5/8" x 1/2"	0.23	1.56
99628	5/8" x 3/4"	0.33	1.73
99630	3/4" x 1/2"	0.23	1.56
99640	3/4" x 3/4"	0.33	1.73
99645	1" x 3/4"	0.35	1.87
99660	1" x 1"	0.45	1.97
99665	1 1/4" x 1"	0.49	2.26
99670	1 1/4" x 1 1/4"	0.49	2.38
99675	1 1/2" x 1"	0.59	2.36
99680	1 1/2" x 1 1/2"	0.59	2.87
99685	2" x 1"	0.73	2.68
99690	2" x 2"	0.55	2.99



PEX Press Adapter Zero Lead Bronze / Copper - Model 2813.5ZL

Part No	Dimensions 1 x 2	A (in)	L (in)
92006	3/8" x 1/2"	0.29	1.28
92021	1/2" x 1/2"	0.23	1.24
92026	1/2" x 3/4"	0.27	1.52
92027	5/8" x 1/2"	0.25	1.24
92031	5/8" x 3/4"	0.27	1.52
92036	3/4" x 1/2"	0.20	1.18
92041	3/4" x 3/4"	0.27	1.52
92045	3/4" x 1"	0.37	1.77
92060	1" x 1"	0.34	1.89
92070	1 1/4" x 1 1/4"	0.43	2.28
92080	1 1/2" x 1 1/2"	0.45	2.44
92090	2" x 2"	0.43	2.60

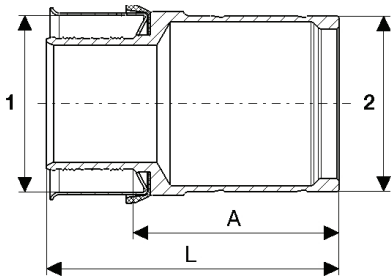
# Dimensional Documentation



**PEX Press Adapter Zero Lead Bronze P x FTG - Model 2813.1ZL**

Part No	Dimensions 1 x 2	A (in)	L (in)
97520	1/2" x 1/2"	1.26	1.77
97525	1/2" x 3/4"	1.34	1.83
97530	5/8" x 1/2"	1.28	1.77
97531	5/8" x 3/4"	1.39	1.89
97535	3/4" x 1/2"	1.334	1.83
97540	3/4" x 3/4"	1.45	1.95
97545	3/4" x 1"	1.45	1.95
97560	1" x 1"	1.51	2.13
97570	1 1/4" x 1 1/4"	1.83	2.72
97580	1 1/2" x 1 1/2"	2.21	3.07
97590*	2" x 2"	2.36	3.41

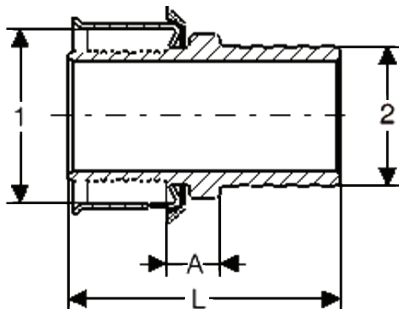
\*For use with solder fittings only.



**PEX Press Adapter Zero Lead Bronze P x FTG - Model 2813.3ZL**

Part No	Dimensions 1 x 2	A (in)	L (in)
97690*	2" x 2"	2.50	3.54

\*For use with ProPress fittings only.

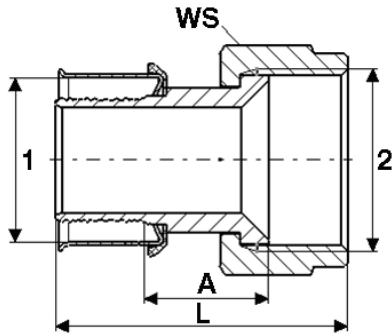


**PEX Press Adapter Zero Lead Bronze P x PB - Model 2813.2ZL**

Part No	Dimensions 1 x 2	A (in)	L (in)
97820	1/2" x 1/2"	0.28	1.38
97840	3/4" x 3/4"	0.28	1.38

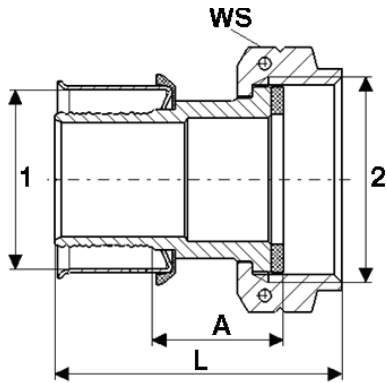
# Dimensional Documentation

**viega**



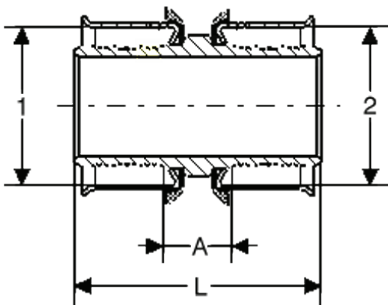
**PEX Press Adapter Zero Lead Bronze P x Flare - Model 2892ZL**

Part No	Dimensions 1 x 2	A (in)	L (in)	WS (in)
97140	3/4" x 3/4" Flare	0.67	1.71	1.50
97160	1" x 3/4" Flare	0.86	2.03	1.50
97165	1" x 1" Flare	0.65	1.89	1.80



**PEX Press Tailpiece Zero Lead Bronze P x F BSP - Model 2893ZL**

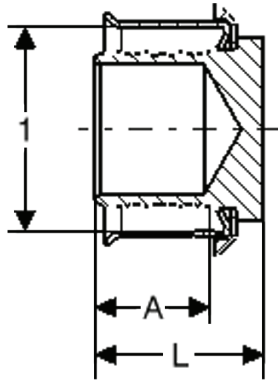
Part No	Dimensions 1 x 2	A (in)	L (in)	WS (in)
96140	3/4" x 1" BSP	0.63	1.50	1.46
96160	1" x 1" BSP	0.84	1.83	1.46
96165	1" x 1 1/4" BSP	0.78	1.80	1.81



**PEX Press Coupling Zero Lead Bronze P x P - Model 2815ZL**

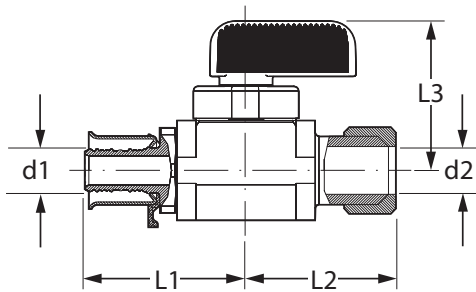
Part No	Dimensions 1 x 2	A (in)	L (in)
93001	5/16"	0.40	1.38
93000	3/8"	0.40	1.38
93020	1/2"	0.40	1.38
93050	1/2" x 3/4"	0.40	1.38
93030	5/8"	0.40	1.38
93040	3/4"	0.40	1.38
93055	3/4" x 1"	0.46	1.58
93071	3/4" x 1 1/4"	0.51	1.87
93072	3/4" x 1 1/2"	0.51	1.87
93060	1"	0.46	1.69
93065	1" x 1 1/4"	0.54	2.03
93073	1" x 1 1/2"	0.54	2.03
93070	1 1/4"	0.67	2.40
93075	1 1/4" x 1 1/2"	0.59	2.32
93080	1 1/2"	0.67	2.40
93090	2"	0.66	2.76
93091	2" x 1 1/2"	0.69	2.60

# Dimensional Documentation



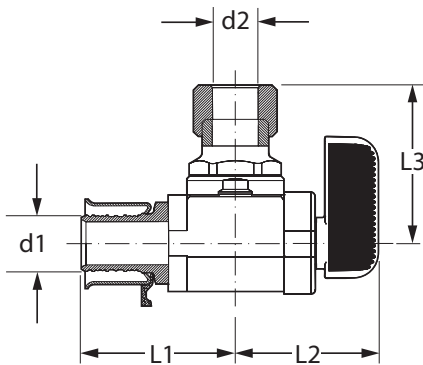
PEX Press Test Plug Zero Lead Bronze - Model 2856ZL

Part No	Dimensions 1	A (in)	L (in)
95000	3/8"	0.48	0.73
95121	1/2"	0.48	0.73
95131	5/8"	0.48	0.73
95141	3/4"	0.48	0.73
95161	1"	0.62	0.93



PEX Press Stop Valve Straight Zero Lead Chrome Plated Brass P x CTS 1/4 Turn - Model 2842.3ZL

Part No	Size	L1 (in)	L2 (in)	L3 (in)
	d1 x d2			
94023	3/8" x 1/4" CTS (3/8" OD) Comp	2.53	1.2	1.2
94031	1/2" x 1/4" CTS (3/8" OD) Comp	2.51	1.2	1.2

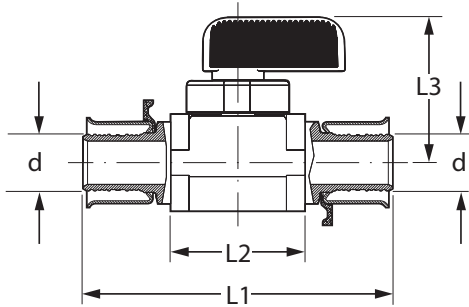


PEX Press Stop Valve Angled Zero Lead Chrome Plated Brass P x CTS 1/4 Turn - Model 2842.4ZL

Part No	Size	L1 (in)	L2 (in)	L3 (in)
	d1 x d2			
93515	3/8" x 1/4" CTS (3/8" OD) Comp	2.51	1.03	1.2
93511	1/2" x 1/4" CTS (3/8" OD) Comp	2.51	1.03	1.2

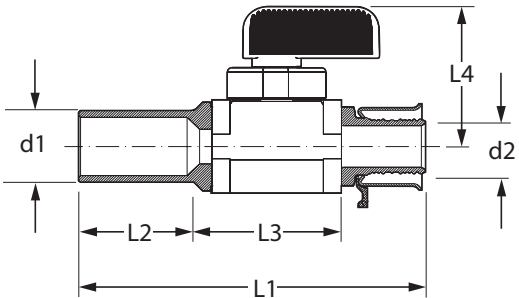


# Dimensional Documentation



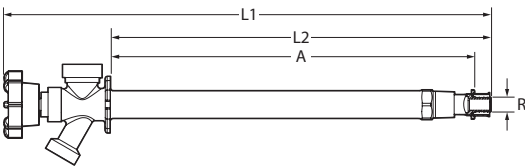
**PEX Press Ball Valve Zero Lead Brass P x P - Model 2842.2ZL**

Part No	Size	L1 (in)	L2 (in)	L3 (in)
	d			
94500	3/8"	2.62	1.2	1.2
94521	1/2"	2.59	1.2	1.2
94541	3/4"	2.72	1.3	1.3



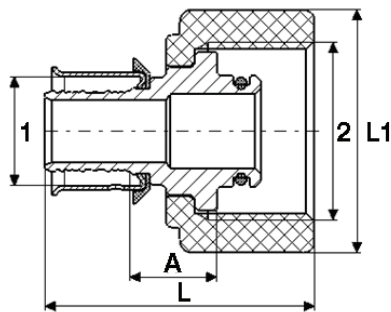
**ProPress Valve Zero Lead Brass P x FTG - Model 2842.1ZL**

Part No	Size	L1 (in)	L2 (in)	L3 (in)	L4 (in)
	d1 x d2				
95002	1/2" x 1/2" FTG	3.01	1.2	1.1	1.2



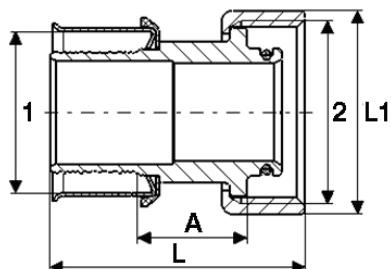
**PEX Press Wall Hydrant Zero Lead Chrome Plated Brass - Model 2888.0ZL**

Part Number	Dimensions			
	A	L1	L2	R
97120	11.7"	15.6"	12.2"	1/2"
97121	11.8"	15.7"	12.3"	3/4"



**PEX Press Port Adapter Zero Lead Bronze P x ManaBloc Port - Model 2877.3ZL**

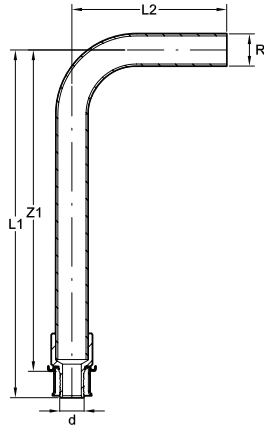
Part No	Dimensions 1 x 2	A (in)	L (in)	L1 (in)
		96101	3/8" x 1/2" Port	0.51
96120	1/2" x 1/2" Port	0.51	1.58	1.42



**PEX Press Supply Adapter Zero Lead Bronze P x ManaBloc Supply - Model 2877.8ZL**

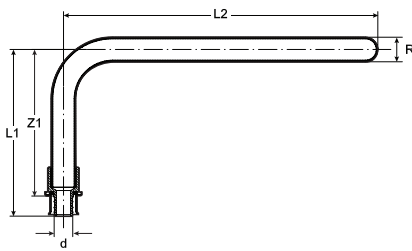
Part No	Dimensions 1 x 2	A (in)	L (in)	L1 (in)
		96141	3/4" x 1" ManaBloc	0.87
96161	1" x 1" ManaBloc	0.77	1.80	1.43
96171	1 1/4" x 1" ManaBloc	1.02	2.31	1.43

# Dimensional Documentation



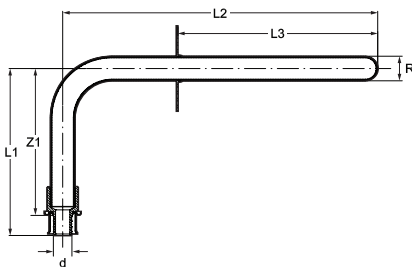
PEX Press Tub 90° Elbow Zero Lead Brazed Copper - Model 2820.0ZL

Part Number	Size	L1 (in)	L2 (in)	Z1
	d x R			
92221	1/2" x 1/2" Copper	6.74	3	6.22



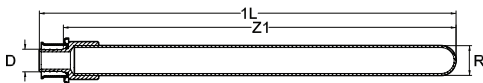
PEX Press 90° Stub-out Brazed Copper P x FTG - Model 2820.1ZL

Part Number	Size	L1 (in)	L2 (in)	Z1
	d x R			
92406	3/8" x 1/2" Copper	4.28	8	3.76
92421	1/2" x 1/2" Copper	4.24	8	3.72
92441	3/4" x 3/4" Copper	4.24	8	4.77



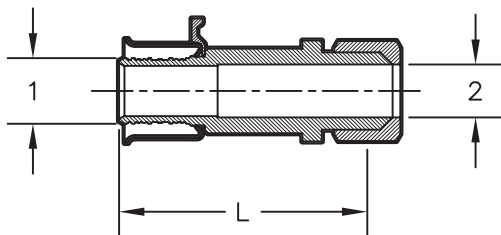
PEX Press 90° Stub-out Brazed Copper P x FTG - Model 2820.4ZL

Part Number	Size	L1 (in)	L2 (in)	Z1
	d x R			
92305	3/8" x 1/2" Copper	4.28	8	3.76
92321	1/2" x 1/2" Copper	4.24	8	3.72



PEX Press Stub-out Brazed Copper P x FTG - Model 2820.2ZL

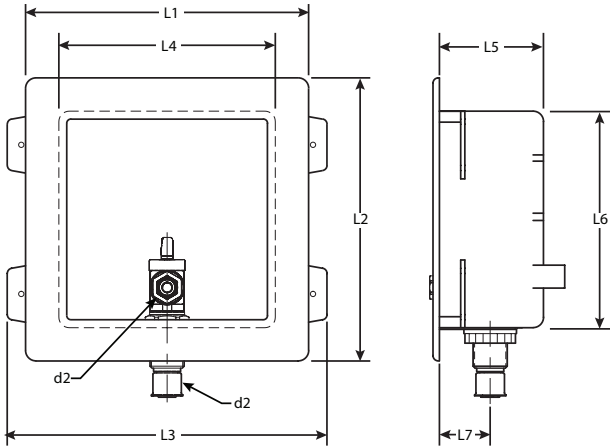
Part Number	Size	L1 (in)	Z1
	d x R		
92609	1/2" x 1/2" Copper	8.74	8
92616	1/2" x 1/2" Copper	15.74	15



PEX Press Adapter Zero Lead Bronze P x CTS - Model 2895ZL

Part Number	Dimensions 1 x 2	L (in)
97112	3/8" x 1/4" CTS (3/8" OD)	1.77
97113	1/2" x 1/4" CTS (3/8" OD)	1.77

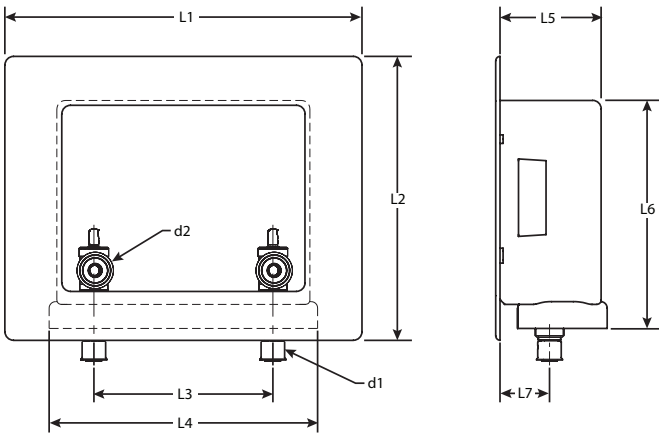
# Dimensional Documentation



**PEX Press Outlet box Zero Lead for Washing Machine, Ice Maker - Model 2872.0ZL, 2872.7ZL**

Part No	Face Plate Dimensions		Box Dimensions						
	L1	L2	L3	L4	L5	L6	L7	d1	d2
98000	6.8"	6.8"	7.68"	5.2"	2.5"	5.2"	1.22"	1/2" PEX	1/4" O.D.
97220*	6.8"	6.8"	7.68"	5.2"	2.5"	5.2"	1.22"	1/2" PEX	1/4" O.D.

\* with hammer arrestor



**PEX Press Outlet Box Zero Lead for Washing Machine, Ice Maker - Model 2872.1US, 2872.6ZL**

Part No	Face Plate Dimensions		Box Dimensions						
	L1	L2	L3	L4	L5	L6	L7	d1	d2
97001	10.4"	8.3"	5.2"	7.4"	2.9"	6.6"	1.43"	1/2" PEX	3/4"
97212*	10.4"	8.3"	5.2"	7.4"	2.9"	6.6"	1.43"	1/2" PEX	3/4"

\* with hammer arrestor

This document subject to updates. For the most current Viega technical literature please visit [www.viega.us](http://www.viega.us).  
Click Services -> Click Electronic Literature Downloads -> Select Product Line -> Select Desired Document

**Viega LLC, 100 N. Broadway, 6<sup>th</sup> Floor • Wichita, KS 67202 • Ph: 800-976-9819 • Fax: 316-425-7618**