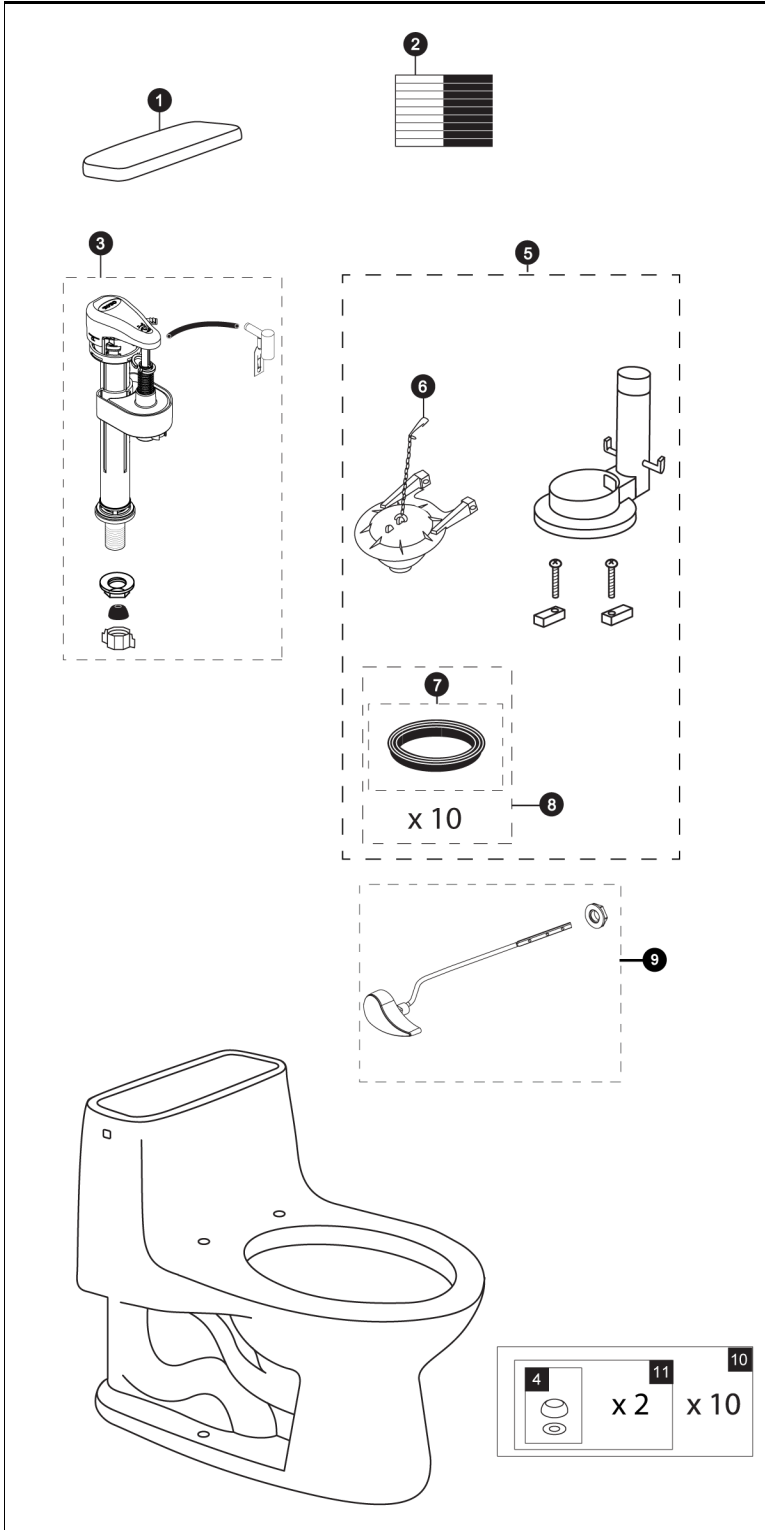


**Ultramax®**  
**1.6 Gpf Toilet, Round,**  
**G-Max®, 12" Rough-In**



Items	Parts	Description	
1	TCU854CRS#01	Tank Lid w/ Velcro Tape - Cotton	
	TCU854CRS#03	Tank Lid w/ Velcro Tape - Bone	
	TCU854CRS#11	Tank Lid w/ Velcro Tape - Colonial White	
	TCU854CRS#12	Tank Lid w/ Velcro Tape - Sedona Beige	
2	THU107	Velcro Tape	
3	TSU51A	Fill Valve	
4	THU044#01	Bolt Cap - Cotton	
	THU044#03	Bolt Cap - Bone	
	THU044#11	Bolt Cap - Colonial White	
	THU044#12	Bolt Cap - Sedona Beige	
5	THU013P	Flush Valve Assembly w/ Flapper	
6	THU331S	Flapper w/ Chain	
7	9BU002E	Flush Valve Gasket (1 piece)	
8	THU097	Flush Valve Gasket (10 pieces)	
	9	THU004#01	Trip Lever - Cotton
		THU004#03	Trip Lever - Bone
		THU004#11	Trip Lever - Colonial White
THU004#12		Trip Lever - Sedona Beige	
10	THU004#CP	Trip Lever - Chrome Polished	
	THU004#BN	Trip Lever - Brushed Nickel	
	THU004#PN	Trip Lever - Polished Nickel	
	THU098#01	Bolt Cap Set - Cotton (20 pieces)	
11	THU098#03	Bolt Cap Set - Bone (20 pieces)	
	THU098#11	Bolt Cap Set - Colonial White (20 pieces)	
	THU098#12	Bolt Cap Set - Sedona Beige (20 pieces)	
	THU044S#01	Bolt Cap Set - Cotton (2 pieces)	
11	THU044S#03	Bolt Cap Set - Bone (2 pieces)	
	THU044S#11	Bolt Cap Set - Colonial White (2 pieces)	
	THU044S#12	Bolt Cap Set - Sedona Beige (2 pieces)	

**Note:**

**Product Number Explanations**

**One-Piece Toilet**

(MS) Toilet & Seat Combination  
(CST) Gravity Type Toilet  
(853) Toilet Model  
(113) Seat Model  
(S) G-Max®

Actual Product may vary slightly from illustration.