

Undercounter Lavatory

FEATURES

- 19" x 15"
- Vitreous china
- ADA compliant
- Concealed front overflow
- Mounting assembly complete with installation template and mounting screw set for wood countertops
- THU410 is required for marble/granite type countertop installation and must be purchased separately

MODELS

- LT587 (#01)



COMPONENTS

- THP5067#CP (Sold Separately)
Grid drain 1-1/2" opening with 4" tail piece

COLORS/FINISHES

- Standard
#01 Cotton

CODES/STANDARDS

- Meets and exceeds ASME A112.19.2/CSA B45.1
- Certifications: IAPMO(cUPC), State of Massachusetts, City of Los Angeles, and others
- Meets ADA guidelines and ANSI A117.1 requirements when countertop is installed 864mm (34") from finished floor and lavatory is installed 38mm (1-1/2") minimum from front edge.



PRODUCT SPECIFICATION

The undercounter lavatory shall be made of vitreous china. Lavatory shall be 19" in length and 15" in width. Product shall be with overflow and lavatory shall include mounting assembly. Lavatory shall be ADA compliant. Lavatory shall be TOTO Model LT587 _____.

LT587

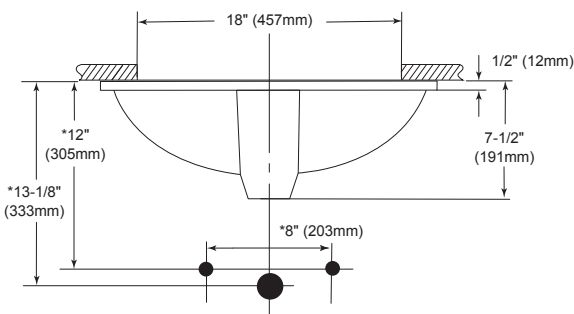
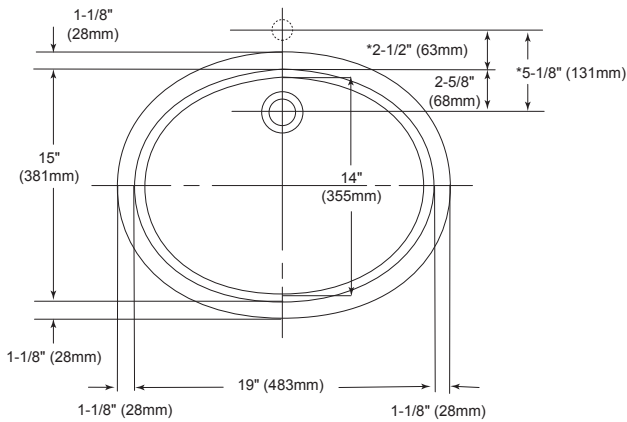
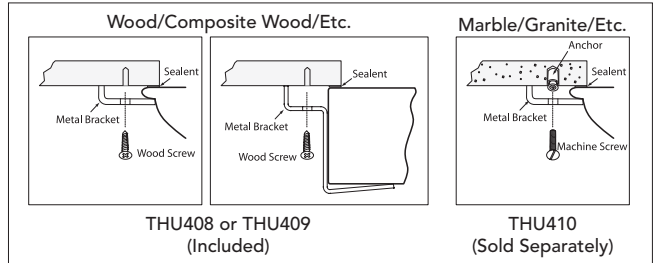
Undercounter Lavatory

SPECIFICATIONS

- Waste 1-1/4" O.D.
- Size 21-1/4"W x 17-1/4"D
- Basin 19"W x 15"D
- Warranty One Year Limited Warranty
- Material Vitreous china
- Shipping Weight 19.5 lbs.
- Shipping Dimensions 18-1/2"L x 22"W x 8-1/8"H

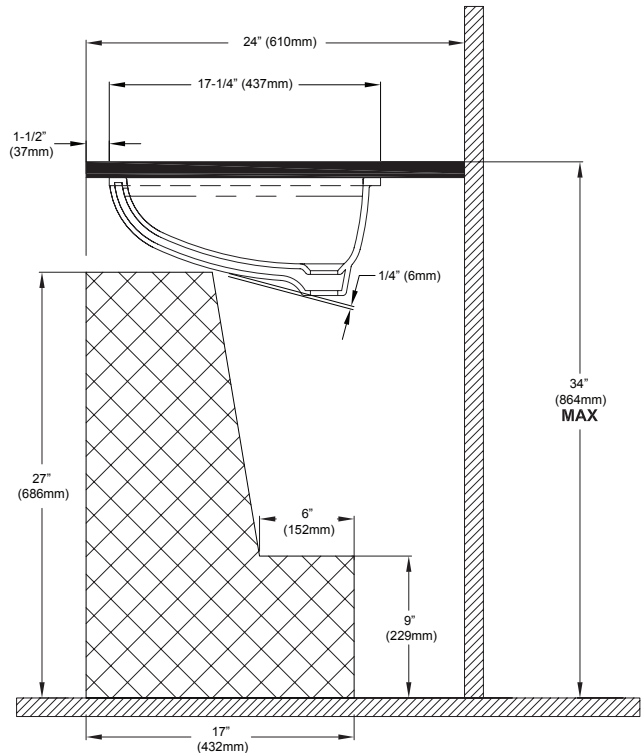
INSTALLATION NOTES

Mounting Hardware



*Suggested Dimension

ADA Compliance Check



TOTO®

These dimensions and specifications are subject to change without notice