



Architect/Engineering Specifications:

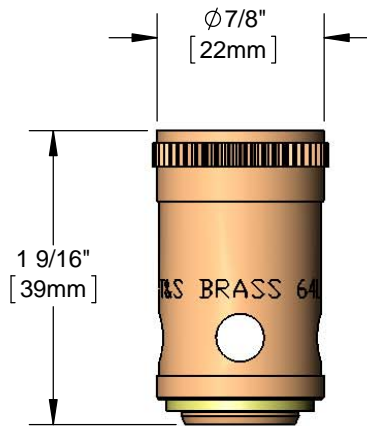
Removable RTC Eterna insert with washer, fits all T&S Faucets. Certified to NSF 61-Section 9 and NSF 372.

Job Name _____

Model Specified _____ Quantity _____

Variations Specified _____

Date _____



Features & Benefits:

- Removable RTC Eterna insert
- Washer included
- Fits all T&S faucets

Product Compliance:

- NSF 61 - Section 9
- NSF 372 (Low Lead Content)



Warranty: One Year (Limited)



Performance Data:

- N/A

