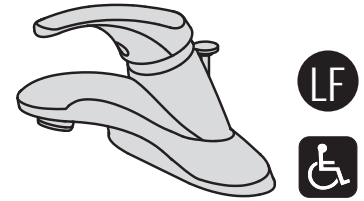


Location:



# Symmetrix®

## Lavatory Faucet S-20 Series Specification Submittal



S-20-2  
Standard handle



### Feature Highlights

- Single lever faucet with red & blue indicators on handle
- Ceramic control components and handle limits stop
- Supply has 3/8 inch copper tubing
- 4 inch (102mm) centers
- Metal construction
- Polished chrome finish (standard)
- Aerator with 2.2 gpm flow rate (8.3 L/min)  
*Optional aerator available in lower flow rates*

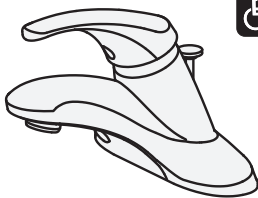



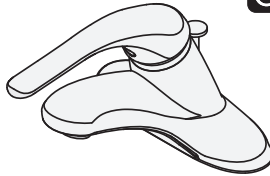

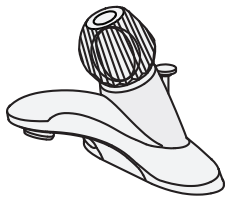
### Standards / Certifications

ASME A112.18.1/CSA B125.1  
NSF/ANSI 61.9; NSF/ANSI 372  
WaterSense: 1.5 gpm (5.7 L/min)

### Warranty

- Limited Lifetime - to the original end purchaser in residential / consumer installations
- 5 years - for commercial installations

### S-20 series handle options

Standard	LP	W	LCT
 	 	 	

### Model Numbers

Append appropriate -suffix to model number.

- S-20 Faucet only with lift rod hole
- S-20-0 Faucet only without lift rod hole
- S-20-1 Faucet with lift rod
- S-20-2 Faucet with pop-up drain & lift rod
- S-20-2-G Faucet with grid strainer drain assembly

### Handle Options / Modifications

Append appropriate -suffix to model number.

- LP Loop handle with metal finish
- LCT Clear acrylic handle (only available with 20 inch braided supply hose, option -BH)
- W 6 inch (152 mm) lever handle with metal finish, handle with red & blue indicators on handle (polished chrome finish only)

### Finish Options / Modifications





Append appropriate -suffix to model number.

- STN Satin nickel\*
- Polished chrome (standard)

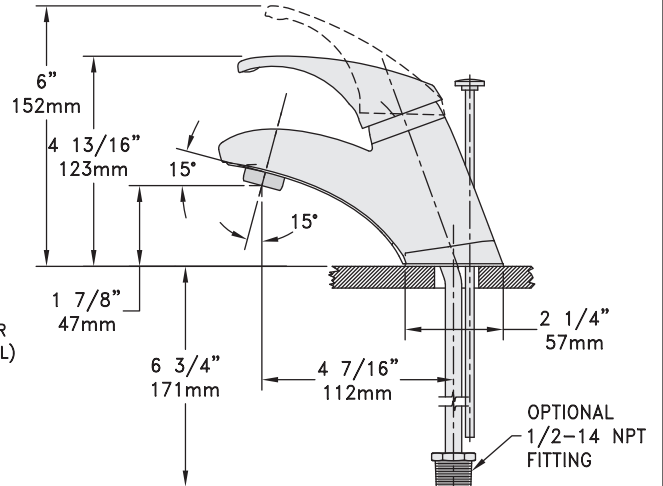
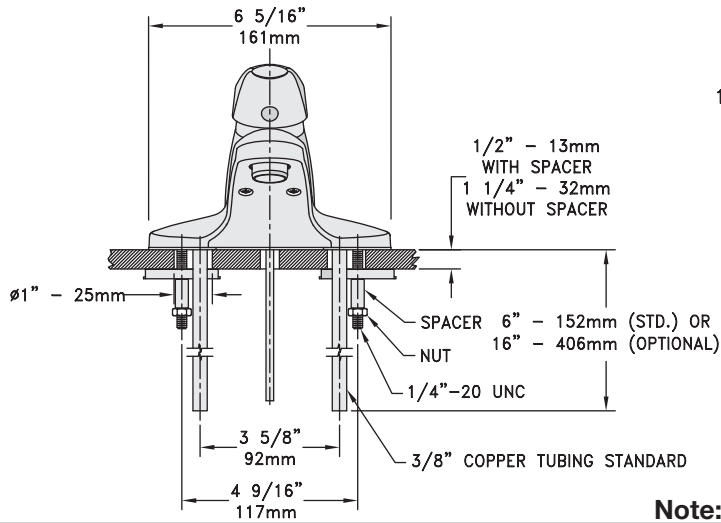
\*Note Handles with red/blue indicators are not available with decorative finishes.

### Other Options / Modifications

Append appropriate -suffix to model number.

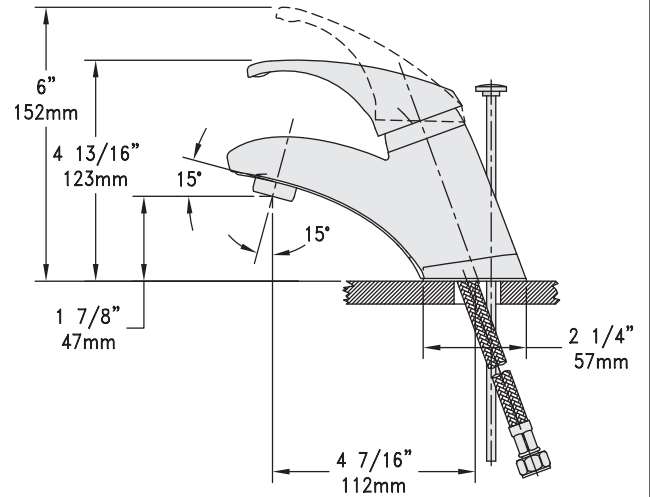
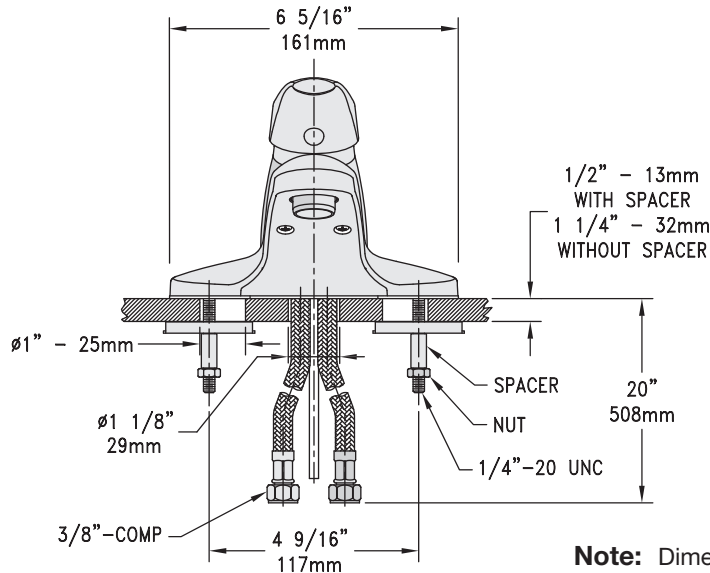
- LST 16 inch copper supply tubing
- BH 20 inch braided supply hose
- IPS 1/2 inch IPS connections
- OFG Offset grid strainer (model S-20-2-G only)
-  -0.35 Aerator flow restrictor, 0.35 gpm (1.3 L/min)
-  -0.5 Non-aerated laminar spray, 0.5 gpm (1.9 L/min)
-  -1.0 Aerator flow restrictor, 1.0 gpm (3.8 L/min)
-  -1.5 Aerator flow restrictor, 1.5 gpm (5.7 L/min)
- VP Vandal resistant aerator (not available for -1.5)

## Dimensions Symmetrix Lavatory Faucet, S-20-2



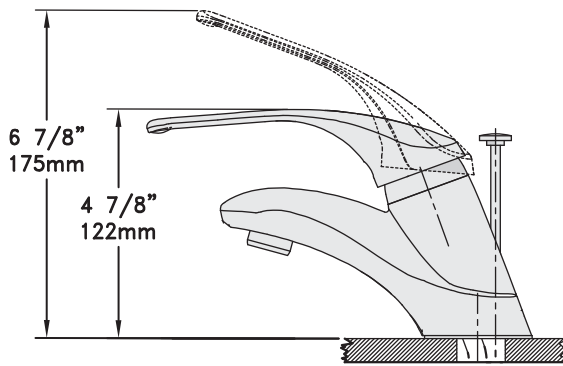
**Note:** Dimensions subject to change without notice.

## Dimensions Symmetrix Lavatory Faucet, S-20-2-BH (with braided supply hose)

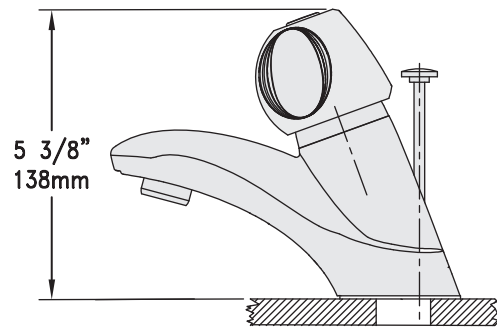


**Note:** Dimensions subject to change without notice.

## Dimensions Symmetrix Lavatory Faucet, S-20-2-W (S-20 Series with optional lever handle, option W)



## Dimensions Symmetrix Lavatory Faucet, S-20-2-LCT (S-20 Series with acrylic handle, option LCT)



Symmons Industries, Inc. ■ 31 Brooks Drive ■ Braintree, MA 02184  
Phone: (800) 796-6667 ■ Fax: (800) 961-9621  
Website: symmons.com ■ Email: gethelp@symmons.com

Copyright © 2016 Symmons Industries, Inc. Printed in U.S.A. ■ ZV-1514 REV C ■ 121516

**SYMMONS**<sup>®</sup>  
the smart choice™