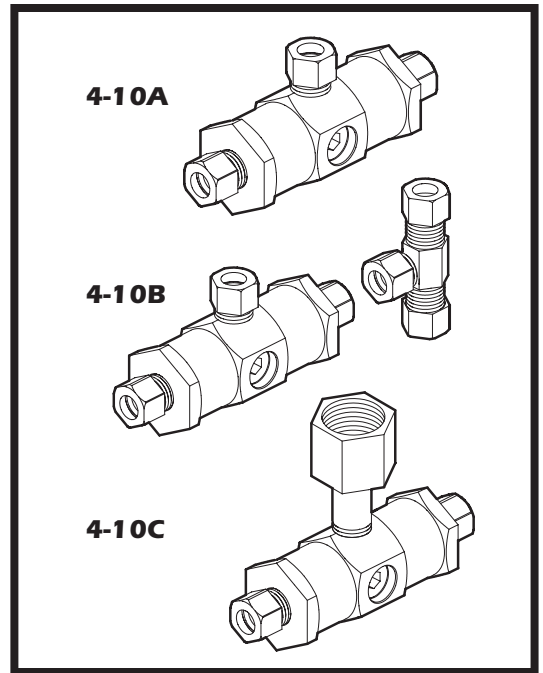
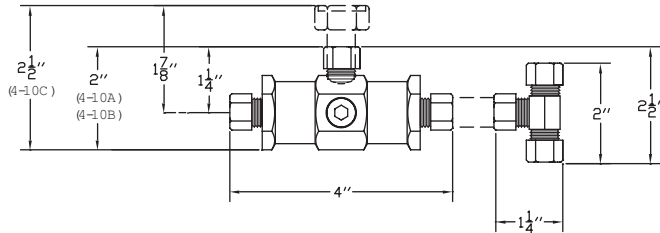


Mechanical Mixing Valves

- **4-10A:** To supply tempered water to a single supply faucet
3/8" compression connections
- **4-10B:** To supply tempered water to the hot inlet of a two
supply faucet
- **4-10C:** To supply tempered water to a single supply faucet
connection

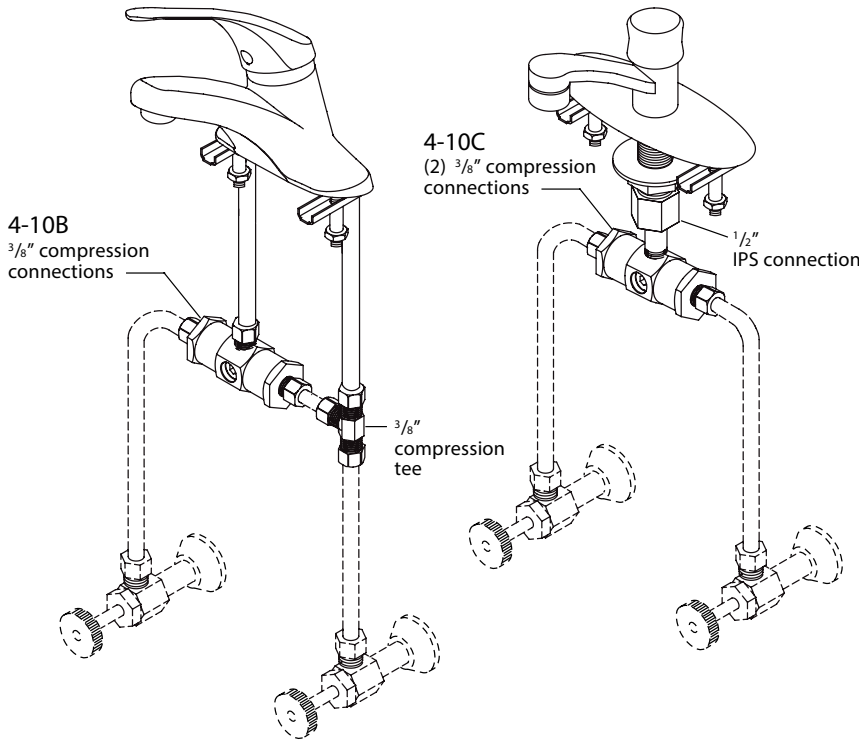
Symmons Mechanical mixing valve for tempered water supply to an individual faucet. Includes 3/8" compression connections and integral checks. Vandal resistant temperature adjustment. Chrome finish. Supply stops and piping to and from mechanical mixing valve not supplied.



Compliance:
 - ASME A112.18.1-2012/CSA B125.1-2012
 - NSF 372, 61.9
 - California Health and Safety Code 116875 (AB-1953-2006)

Symmons Single Lever Faucet
Typical
(faucet not included)

Symmons Metering Faucet
Typical
(faucet not included)



Job/Location

.....

Engineer

.....

Contractor

.....

For ADA compliance (Americans with Disabilities Act) consult ADAAG or your state regulations for proper product choice and mounting locations.

Symmons Industries, Inc. ■ 31 Brooks Drive ■ Braintree, MA 02184
 (800) 796-6667, (781) 848-2250 ■ Fax (800) 961-9621, (781) 843-3849
 Website: www.symmons.com ■ Email: customerservice@symmons.com

©2014 Symmons Industries, Inc. Printed in U.S.A. ■ 011314

