



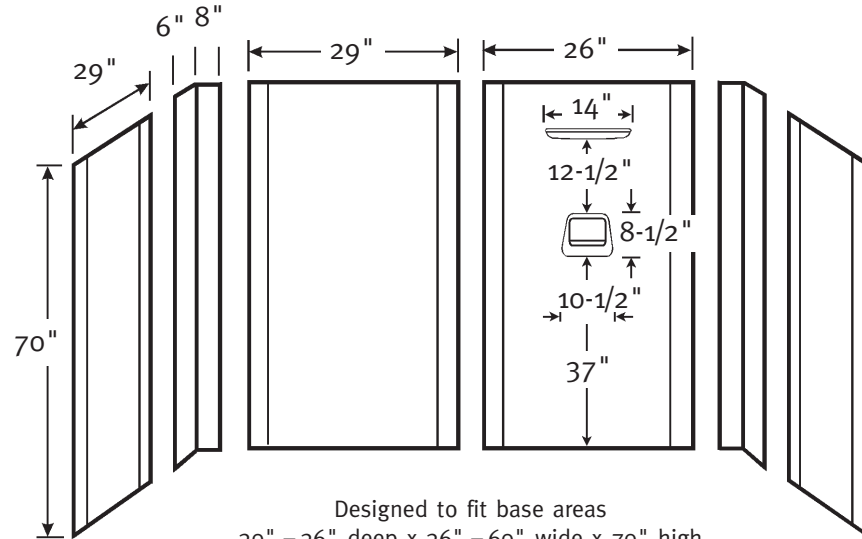
SW-7060 High-Gloss Shower Wall Kit

Manufactured from Swan High-Gloss
(See page 2 for detailed information.)

WARRANTY
Limited Lifetime – Residential
Limited 5-year – Commercial

FEATURES

- Ultra-bright, glossy surface comes from durable, baked-on finish.
- Includes all materials needed for installation.
- Glue-up six piece shower wall panel system.
- Compression-molded.



Designed to fit base areas
30" – 36" deep x 36" – 60" wide x 70" high
(762 – 914 mm x 914 – 1524 mm x 1778 mm)

SPECIFICATIONS

SW-7060 High-Gloss Shower Wall Kit

Model	Part	Base Area Designed To Fit	Ship Wt. Lb.	Ship FedEx	Carton Dims. In.	Cu. Ft.
SW-7060	SW07060	30" – 36" D x 36" – 60" W x 70" H (762 mm – 914 mm x 914 mm – 1524 mm x 1778 mm)	68	–	74 x 30 x 7	9.0

Kit Includes: One back panel with molded-in soap and shampoo shelves, two right angle corner panels, two flat side panels, one flat extension panel and color coordinated silicone.

Packaging: Each kit is packed in a flat, rectangular carton.

SUPPORT DOCUMENTS

Installation instructions available at swanstone.com.

COLORS

Solid Colors:

- White (010)
- Bisque (018)
- Bone (037)

MAINTENANCE AND CLEANING INFORMATION

Clean regularly with common household liquid cleaners and a sponge or soft cloth. **Do not** use abrasive cleaners or scouring pads. **Do not** use "leave on" cleaning products, such as automatic spray shower cleaners. Prolonged contact with harsh chemicals could have an adverse reaction over time and discolor surfaces.

MADE IN USA