



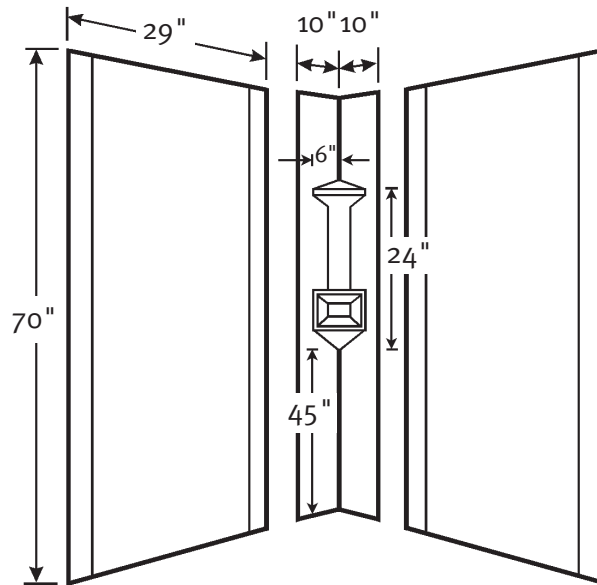
SW-NEO-DTF NEO-Angle Shower Wall Kit

Manufactured from Swan High-Gloss
(See page 2 for detailed information.)

WARRANTY
Limited Lifetime – Residential
Limited 5-year – Commercial

FEATURES

- Ultra-bright, glossy surface comes from durable, baked-on finish.
- Includes all materials needed for installation.
- Glue-up three piece shower wall panel system.
- Compression-molded.



Designed to fit wall areas
35-1/2" x 35-1/2" to 38" x 38" x 70" high
(902 mm x 902 mm to 965 mm x 965 mm x 1778 mm)

SPECIFICATIONS

SW-NEO-DTF High-Gloss NEO-Angle Shower Wall Kit

Model	Part	Wall Area Designed To Fit	Ship Wt. Lb.	Ship FedEx	Carton Dims. In.	Cu. Ft.
SW-NEO-DTF	NE00000SW	35-1/2" D x 35-1/2" W to 38" D x 38" W x 70" H (902 mm x 902 mm to 965 mm x 965 mm x 1778 mm)	42	-	72 x 31 x 9	11.63

Kit Includes: One back panel with shelves, two flat side panels and color coordinated silicone.

Packaging: Each kit is packed in a flat, rectangular carton.

SUPPORT DOCUMENTS

Installation instructions available at swanstone.com.

COLORS

Solid Colors:

- White (010)
- Bisque (018)
- Bone (037)

MAINTENANCE AND CLEANING INFORMATION

Clean regularly with common household liquid cleaners and a sponge or soft cloth. **Do not** use abrasive cleaners or scouring pads. **Do not** use "leave on" cleaning products, such as automatic spray shower cleaners. Prolonged contact with harsh chemicals could have an adverse reaction over time and discolor surfaces.

MADE IN USA