



Top-mount single-basin bar sink **B153-2**

Features

- Two faucet holes.
- 5-1/2" depth.
- 3-5/8" (92 mm) drain opening.
- Stainless steel with luster finish.

Material

- Premium 20-gauge stainless steel.

Installation

- Top-mount.

Recommended Products/Accessories

K-23726 Drain treatment

K-23729 Stainless steel cleaner

Optional Products/Accessories

7400 Sink Strainer



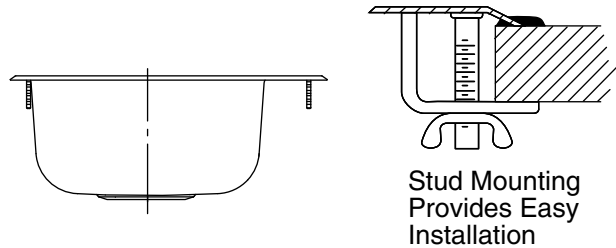
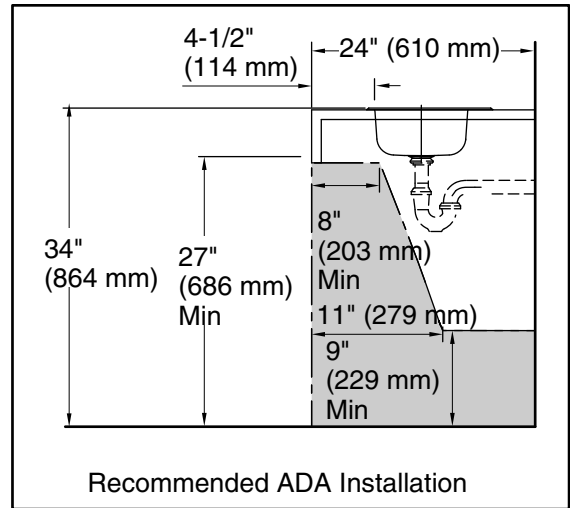
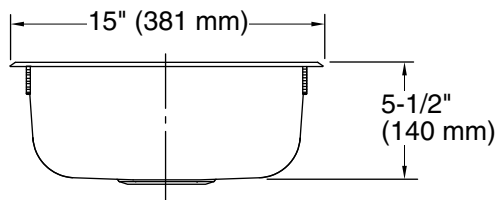
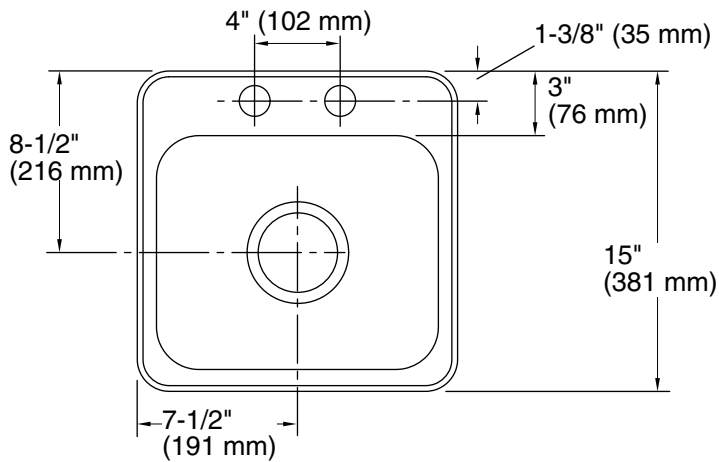
Codes/Standards

ASME A112.19.3/CSA B45.4

ICC/ANSI A117.1

STERLING® Warranty - Stainless Steel Sinks

See website for detailed warranty information.



Technical Information

All product dimensions are nominal.

- Installation: Top-mount
- Bowl area (Only): Length: 13-1/4" (337 mm)
Width: 11" (279 mm)
Bowl depth: 5-9/16" (141 mm)
Water depth: 5-9/16" (141 mm)
- Number of deck holes: 2
- Faucet hole spacing: 4" (102 mm)
- Faucet hole(s): 1-7/16" (37 mm)
- Drain hole: 3-3/4" (94 mm)

Notes

Install this product according to the installation instructions.