



Windham™

Elongated toilet bowl
403081

Features

- Two-piece design.
- Elongated bowl offers added room and comfort.
- 1.28 gpf (4.8 lpf).
- Pro Force® flushing technology.

Installation

- Standard 12" (305 mm) rough-in.
- Three-bolt quick-connect installation.

Recommended Products/Accessories

- K-4636 Cachet® Quiet-Close™ Elongated Toilet Seat
- K-5588 Purefresh® Elongated Toilet Seat
- K-4108 C³®-230 Elongated cleansing toilet seat
- K-5420 Low-Profile Bolt Caps
- K-23726 Drain treatment

Included Components

Product consists of:

- 404551 Toilet tank
- 403215 Elongated toilet bowl

Additional Components:

- Bolt caps (pair)
- Tank cover
- tank hardware accessory pack
- trip lever



Codes/Standards

- ASME A112.19.2/CSA B45.1
- DOE - Energy Policy Act 1992
- EPA WaterSense®
- California Energy Commission (CEC)

STERLING® Warranty - Toilets and Lavatories

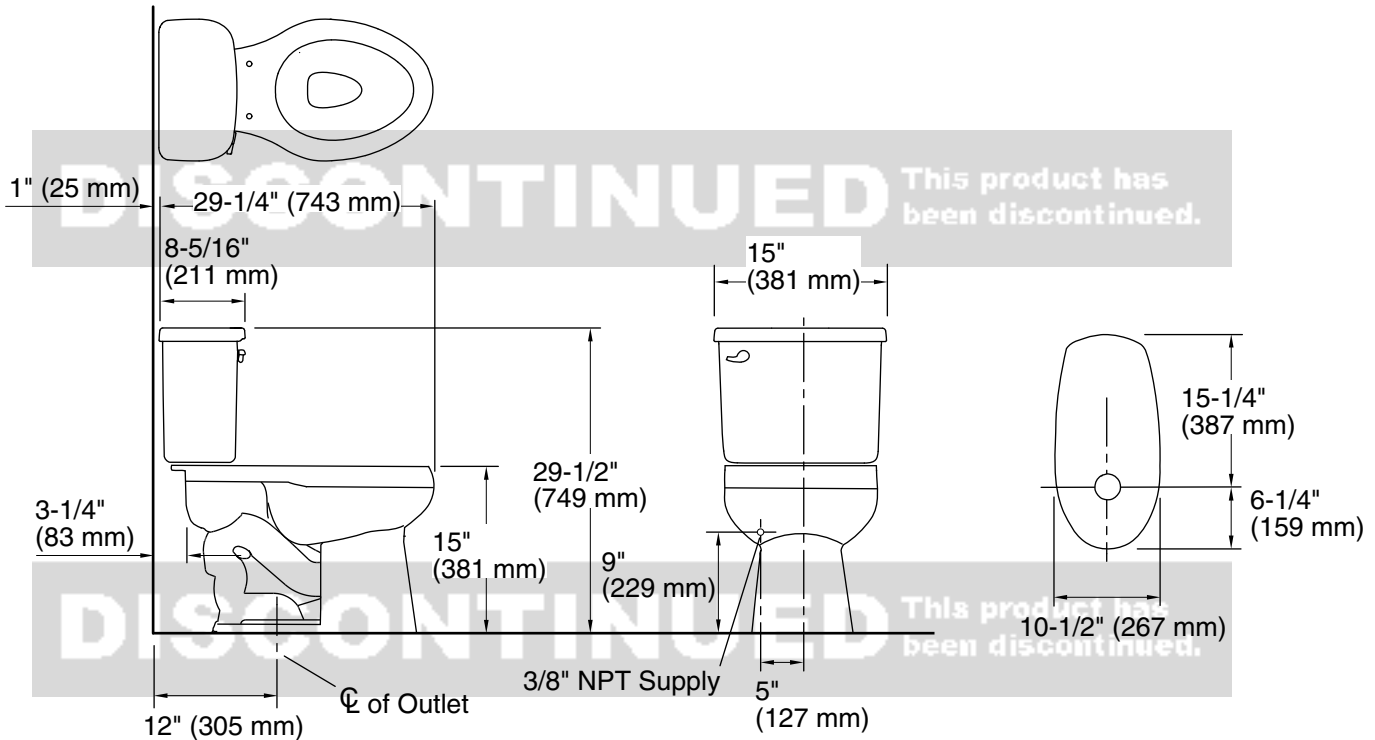
See website for detailed warranty information.

DISCONTINUED This product has been discontinued.

1-800-STERLING (1-800-783-7546)

Kohler Co. reserves the right to make revisions without notice to product specifications.

For the most current Specification Sheet, go to www.sterlingplumbing.com.



Technical Information

All product dimensions are nominal.

- Toilet type: Two-piece, Floor-mount
- Bowl shape: Elongated
- Flush type: Gravity siphon rim jet
- Trap passageway: 2" (51 mm)
- Water Consumption Full: 1.28 gpf (4.8 lpf)
- Water surface size: 8" x 9" (203 mm x 229 mm)
- Rough-in: 12" (305 mm)
- Seat-mounting holes: 5-1/2" (140 mm)

Notes

- Install this product according to the installation instructions.
- Measure your actual product for roughing-in details.