



# Middleton®

Top-mount Kitchen Sink  
14707-4

## Features

- Four faucet holes.
- 7" depth.
- 3-5/8" (92 mm) drain opening.
- Satin finish.

## Material

- Premium 21-gauge stainless steel.

## Installation

- Top-mount.

## Recommended Products/Accessories

- 11861 Sink Rack
- 7400 Sink Strainer
- K-6039 Sink Rack
- K-23726 Drain treatment
- K-23729 Stainless steel cleaner

## Included Components

Product consists of:

- 1150001 Installation Clips



## Codes/Standards

ASME A112.19.3/CSA B45.4

## STERLING® Warranty - Stainless Steel Sinks

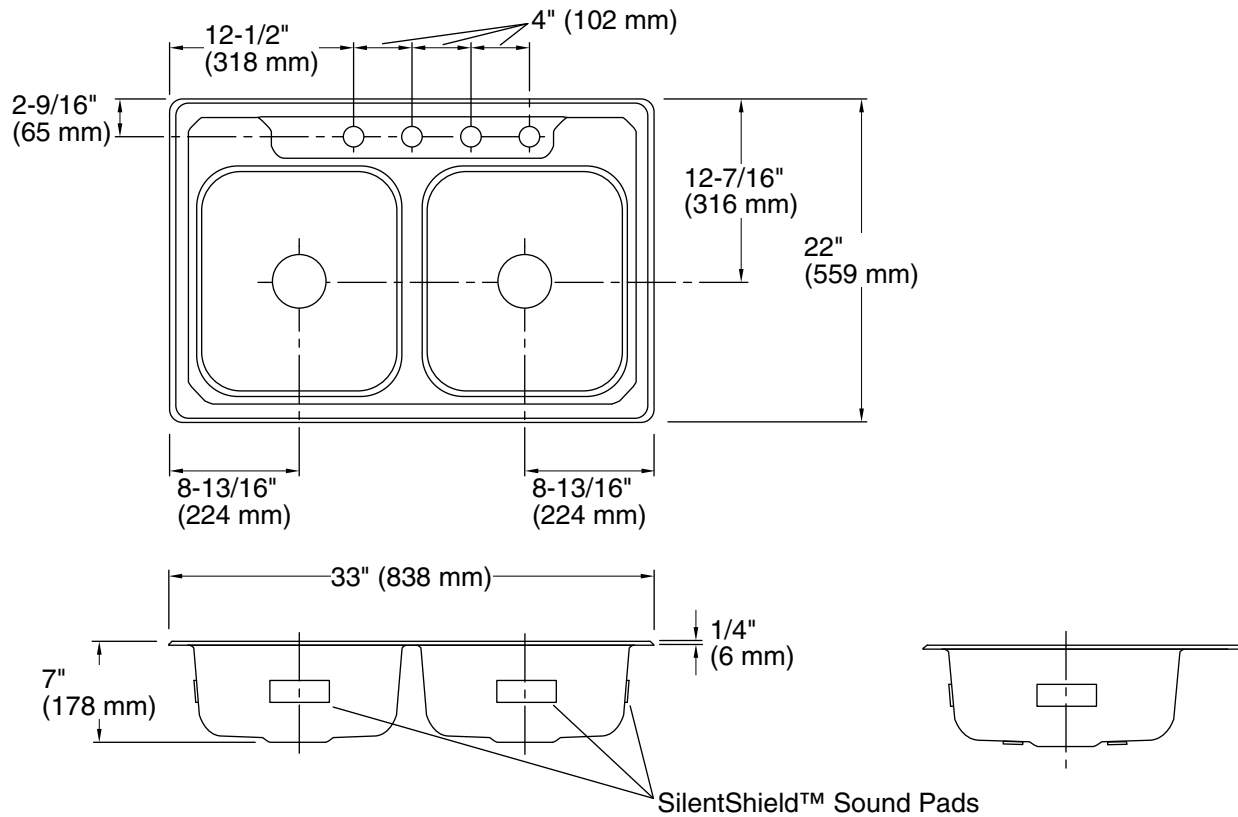
See website for detailed warranty information.

---

1-800-STERLING (1-800-783-7546)

Kohler Co. reserves the right to make revisions without notice to product specifications.

For the most current Specification Sheet, go to [www.sterlingplumbing.com](http://www.sterlingplumbing.com).



### Technical Information

All product dimensions are nominal.

Bowl configuration: Double equal

Installation: Top-mount

Cutout: Top-mount, 32-1/2" x 21-1/2" (826 mm x 546 mm) with 1/2" (13 mm) radius corners

Min. base cabinet width: 36" (914 mm)

Bowl area (Left): Length: 14" (356 mm)  
Width: 15-1/8" (384 mm)  
Bowl depth: 7" (178 mm)  
Water depth: 7" (178 mm)

Bowl area (Right): Length: 14" (356 mm)  
Width: 15-1/8" (384 mm)  
Bowl depth: 7" (178 mm)  
Water depth: 7" (178 mm)

Number of deck holes: 4

Faucet hole spacing: 4" (102 mm)

Faucet hole(s): 1-7/16" (37 mm)

Drain hole: 3-5/8" (92 mm)

### Notes

Install this product according to the installation instructions.

Measure your actual product for roughing-in details.