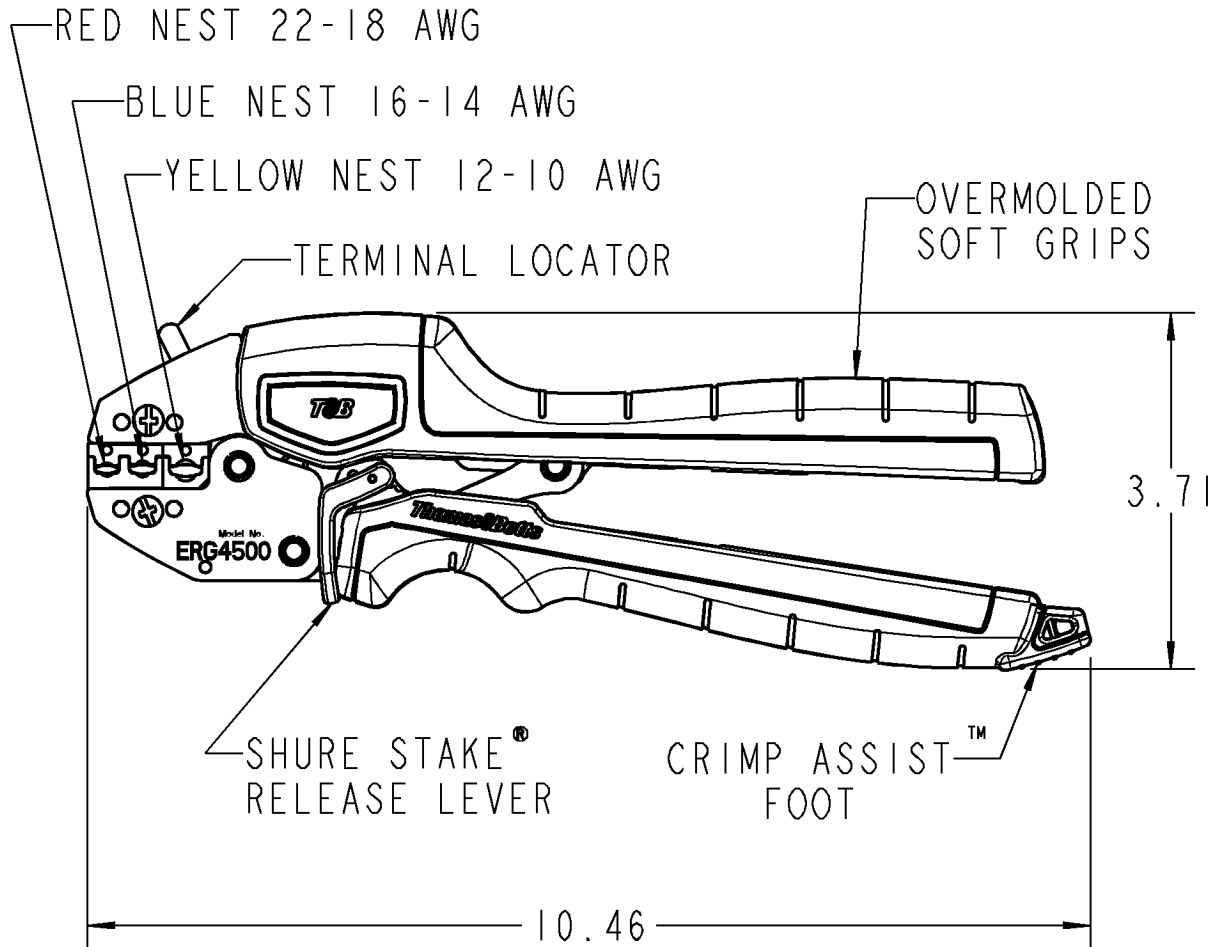



FOR INSTALLING T&B INSULATED
TERMINALS DISCONNECTS, AND SPLICES
ON COPPER WIRE, 22-10 AWG



CAUTION: HANDLES NON-INSULATING,
DO NOT CRIMP ENERGIZED WIRES

GENERAL NOTES		 www.tnb.com			
1. ALL DIMENSIONS ARE FOR REFERENCE ONLY. 2. DIMENSIONS IN BRACKETS [] ARE IN METRIC UNITS.					
REVISIONS		DESCRIPTION: ERG4500 COMFORT CRIMP® COMPRESSION TOOL WITH SHURE STAKE® MECHANISM			
** SEE ERN (****) FOR APPROVAL SIGNATURES & RELEASE DATE. PROJECT NO: ****		ORIGINAL PROJECT NO / (ERN NO) TD55632 / (2010868)	SHEET NO: 1 OF 1	REV. NO: -	DRAWING NO: WSD-000503