

Specifications

Features

- 1.2 GPM Flow Rate
- All Metal Construction
- Chain Loop Hole
- Pforever Seal Ceramic Disc Valves
- Pforever Warranty®

- Two-Handle
- 3-Hole Installation

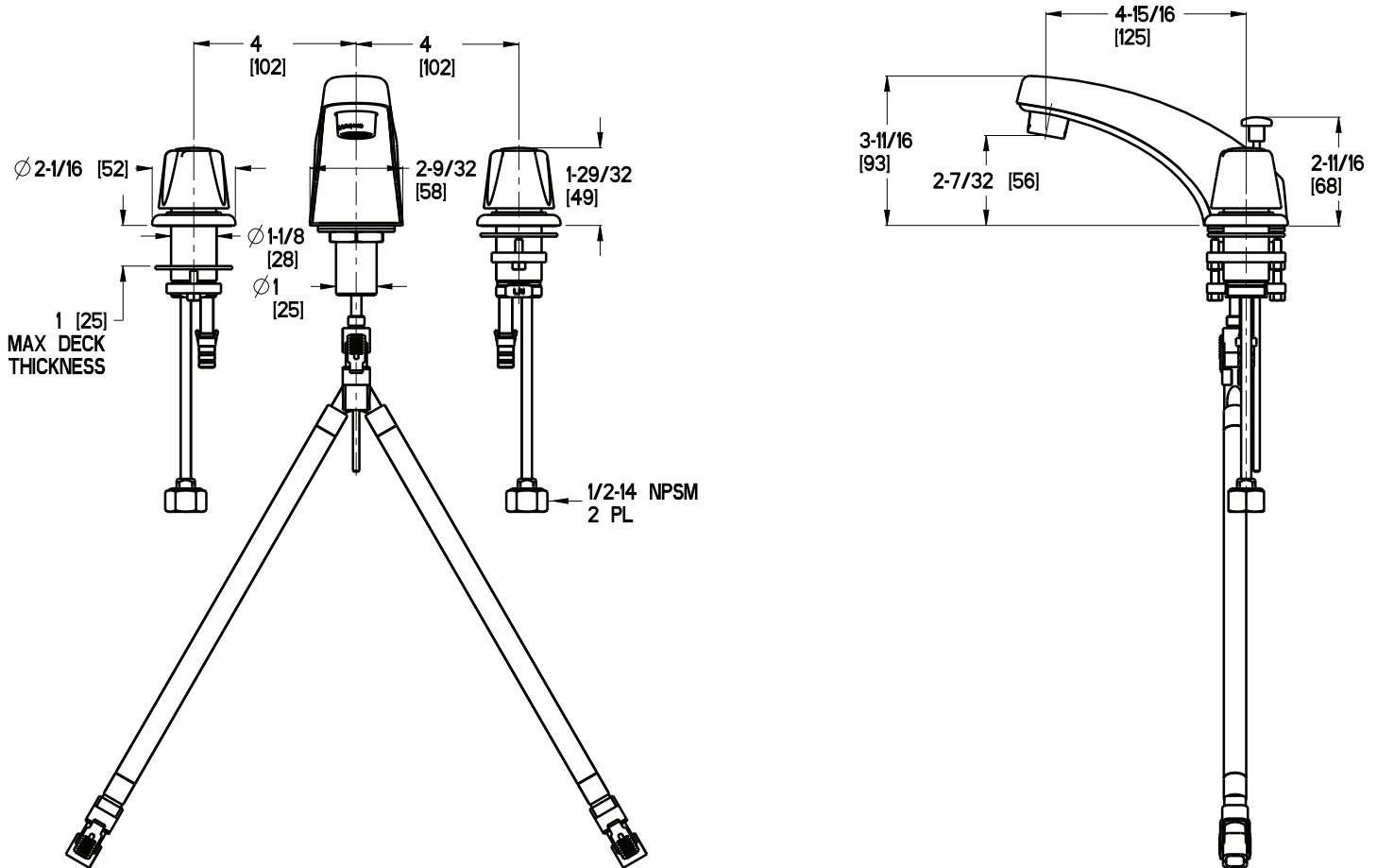
Code Compliance

Pfister products are designed and manufactured in compliance with the following standards and codes:

- IAPMO Certified
- CSA B125 Certified
- ASME A112.18.1
- NSF 61/9 Annex G (Low lead)
- Cal Green Compliant
- EPA Watersense Certification 1.2 gpm, 4.5L/Min



Dimensions



Ø1 Min to Ø1-1/2 Max. Deck Hole Openings