

**Part No:** S1520-20

**Valves**

**Swing & Spring Check**

**Desc:** 2 PVC UTILITY SWING CHECK VALVE SOC EPDM

**MSRP:** 51.47

**Part Code:** 026

**Weight(lbs):** 1.102

**Weight(kg):** 0.5

**Weight(gm):** 500

**Size:** 2"

**Color:** WHITE

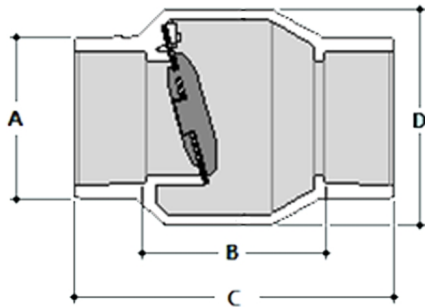
**Material:** PVC

**Type** Utility Swing Check

**Connection** Socket

**Body Color** White

**Pressure Rating** 150 psi @ 73° F Full Flow (Open)  
75 psi Back Pressure (Closed)



**A** = 3

**B** = 3-5/16

**C** = 6-1/16

**D** = 4- 1/4

## Injection Molded Dimension References:

**G** = (LAYING LENGTH) intersection of center lines to bottom of socket/thread; 90° elbows, tees, crosses; ± 1/32 inch.

**H** = Intersection of center lines to face of fitting; 90° elbows tees, crosses; ± 1/32 inch.

**J** = Intersection of center lines to bottom of socket/thread; 45° elbows; ± 1/32 inch

**L** = Overall length of fittings; ± 1/16 inch.

**M** = Outside diameter of socket/thread hub; ± 1/16 inch.

**N** = Socket bottom to socket bottom; couplings; ± 1/16 inch.

**W** = Height of cap; ± 1/16 inch

## Typical Molded Dimension References

