

Part No: S1520-12

Valves

Swing & Spring Check

Desc: 1-1/4 PVC UTILITY SWNG CHK VLVE SOC EPDM

MSRP: 31.29

Part Code: 026

Weight(lbs): 0.677

Weight(kg): 0.307

Weight(gm): 307

Size: 1-1/4"

Color: WHITE

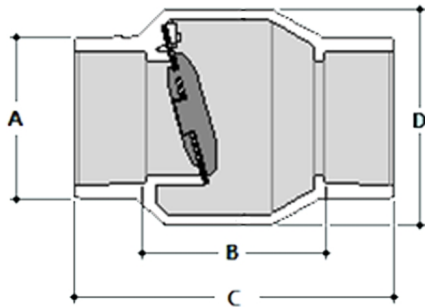
Material: PVC

Type Utility Swing Check

Connection Socket

Body Color White

Pressure Rating 150 psi @ 73° F Full Flow (Open)
75 psi Back Pressure (Closed)



A = 2- 1/16

B = 3

C = 5- 1/2

D = 3- 3/8

Injection Molded Dimension References:

G = (LAYING LENGTH) intersection of center lines to bottom of socket/thread; 90° elbows, tees, crosses; ± 1/32 inch.

H = Intersection of center lines to face of fitting; 90° elbows tees, crosses; ± 1/32 inch.

J = Intersection of center lines to bottom of socket/thread; 45° elbows; ± 1/32 inch

L = Overall length of fittings; ± 1/16 inch.

M = Outside diameter of socket/thread hub; ± 1/16 inch.

N = Socket bottom to socket bottom; couplings; ± 1/16 inch.

W = Height of cap; ± 1/16 inch

Typical Molded Dimension References

