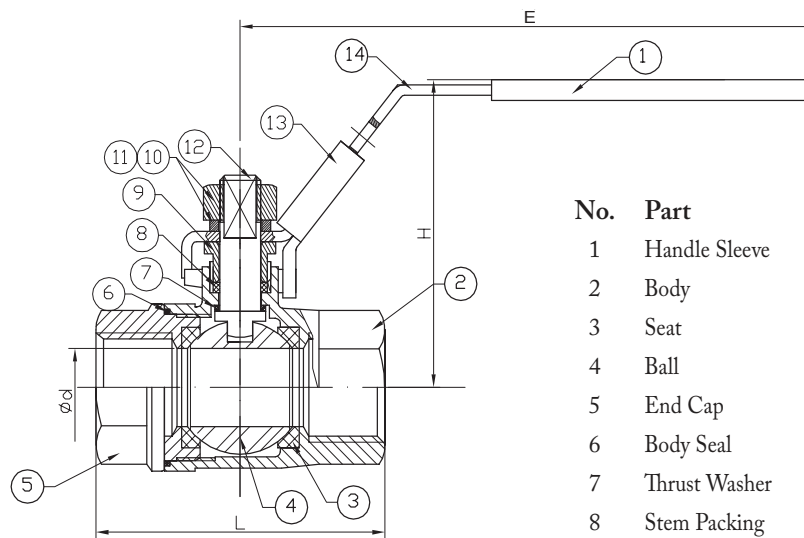


2-PIECE 316 STAINLESS BALL VALVE

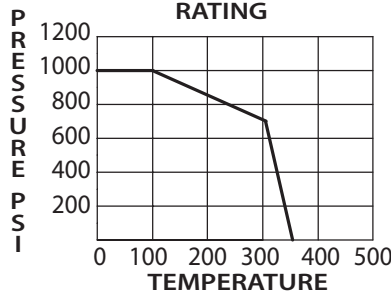


- 1000# CWP, 150# WSP
- Full Port
- Blow-Out Proof Stem
- Vacuum Service to 29" Hg
- Locking Handle
- ISO 9001:2008 Manufacturer
- MSS SP-10
- Lead Free



| No. | Part | Material |
|-----|----------------|----------------------------|
| 1 | Handle Sleeve | Plastic |
| 2 | Body | ASTM A351 GR CF8M (SS316) |
| 3 | Seat | RTFE 15% |
| 4 | Ball | ASTM A351 GR CF8M (SS316) |
| 5 | End Cap | CF8M Stainless Steel (316) |
| 6 | Body Seal | PTFE |
| 7 | Thrust Washer | PTFE |
| 8 | Stem Packing | PTFE |
| 9 | Packing Nut | 304 Stainless Steel |
| 10 | Handle Washer | 304 Stainless Steel |
| 11 | Handle Nut | 304 Stainless Steel |
| 12 | Stem | ASTM A276 T-316 |
| 13 | Locking Device | 304 Stainless Steel |
| 14 | Handle | 304 Stainless Steel |

PRESSURE - TEMPERATURE RATING



| Size IN | Part Number | Weight LB | ød IN | L IN | H IN | E IN |
|---------|-------------|-----------|-------|------|------|------|
| 1/4 | SC201C | 0.46 | 0.46 | 1.91 | 1.89 | 3.94 |
| 3/8 | SC201E | 0.46 | 0.50 | 1.91 | 1.89 | 3.94 |
| 1/2 | SC201G | 0.60 | 0.59 | 2.24 | 2.28 | 4.33 |
| 3/4 | SC201I | 0.87 | 0.79 | 2.68 | 2.40 | 4.92 |
| 1 | SC201K | 1.45 | 0.98 | 3.15 | 3.03 | 5.71 |
| 1-1/4 | SC201L | 2.13 | 1.26 | 3.58 | 3.19 | 6.30 |
| 1-1/2 | SC201M | 3.30 | 1.50 | 4.06 | 3.54 | 7.09 |
| 2 | SC201N | 5.70 | 1.97 | 4.88 | 4.25 | 7.09 |
| 2-1/2 | SC201P | 11.59 | 2.56 | 6.18 | 5.12 | 9.06 |
| 3 | SC201Q | 17.10 | 2.99 | 7.09 | 5.59 | 9.06 |

USA 800-766-0076

Fax 323-890-4456

www.smithcooper.com

Los Angeles, CA

Chicago, IL

Atlanta, GA

Vancouver, WA

Houston, TX