

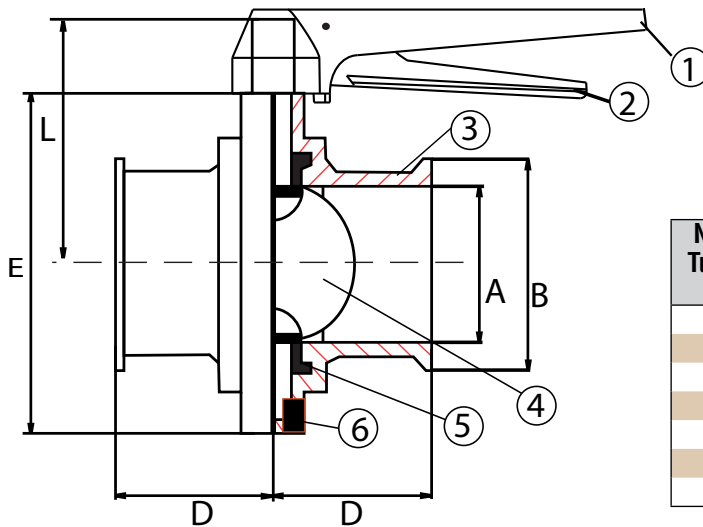


# Series S77 Sanitary Butterfly Valve



Port: Full Tube Port  
 Size: 1" to 6"  
 Material: 304 Stainless Steel  
 Ends: Clamp Ends  
 Pressure: 150 PSI  
 Temperature: 200° F

- Stainless steel precision milled body
- SCI logo, material grade, size, heat number and country of origin engraved on each valve body
- Disc fully machined and polished
- Pull handle 4 position, blue 12 position handle, stainless steel 12 position handle
- Hygienic seating design



- No. Part Name**
- Handle
  - Gripper
  - Body
  - Disc
  - Seat
  - Bolt

Nominal Tube Size IN	A IN	B IN	D IN	E IN	L IN
1	0.87	1.99	1.75	3.11	2.40
1-1/2	1.37	1.99	1.75	3.35	2.53
2	1.87	2.52	1.87	4.13	2.93
2-1/2	2.37	3.05	1.91	4.41	3.06
3	2.84	3.58	2.03	4.92	3.34
4	3.84	4.69	2.03	6.18	4.00
6	5.80	6.56	2.80	8.63	5.28

## S774 E C T 020

Valve Material	
4	304 Stainless Steel

Seat Material	
E	EPDM
S	Silicon
V	Viton

End Type	
C	Tri-Clamp

Operator	
T	Blue 12 Position Lever Handle
B	Bare Stem
S	12 Position Stainless Steel Lever Handle
P	4 Position Pull Handle

Size in	
010	1
014	1-1/2
020	2
024	2-1/2
030	3
040	4
060	6

SANITARY