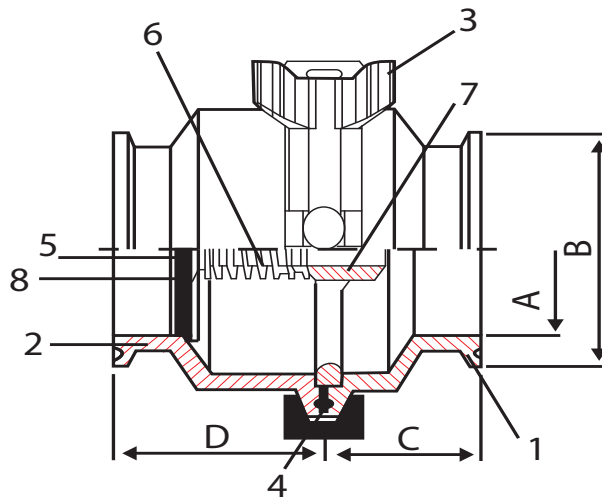


Series S7745MP6
**316 STAINLESS STEEL SANITARY CLAMP END
 CHECK VALVE**



- 316 Stainless Steel
- Tri-Clamp Ends
- 150 psi at ambient temperature
- All wetted parts approved for use in food processing
- All wetted parts polished to 180 grit



No.	Part Name	Material
1	Short Body	316 Stainless Steel
2	Long Body	316 Stainless Steel
3	Clamp	316 Stainless Steel
4	Clamp Gasket	EPDM
5	Seal-Ring	EPDM
6	Spring	316 Stainless Steel
7	Flow Support Plate	316 Stainless Steel
8	Disc	316 Stainless Steel

USA 800-766-0076

Fax 323-890-4456

www.smithcooper.com

Los Angeles, CA

Chicago, IL

Atlanta, GA

Vancouver, WA

Houston, TX

Nominal Tube Size IN	Part Number	A IN	B IN	C IN	D IN	Cracking Pressure psi	Weight LB
1-1/2	S7745MP6014	1.37	1.99	1.42	1.89	1.6	2.6
2	S7745MP6020	1.87	2.52	1.42	1.89	0.6	3.1
3	S7745MP6030	2.87	3.58	1.42	1.89	0.8	5.2
4	S7745MP6040	3.84	4.69	1.85	2.13	0.9	10.4