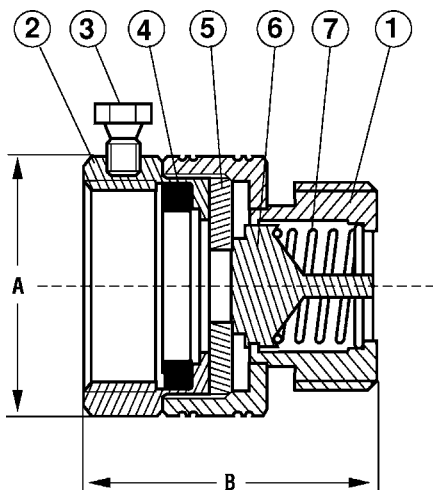


LEAD-FREE HOSE END VACUUM BREAKER, FIP



- California AB1953 lead-free approved
- Meets federal Safe Water Drinking Water Act, lead-free requirement
- 125 psi @ 180°F
- Rough brass finish
- Break away screw for tamper proof installation
- Prevents backflow
- UPC/IAPMO listed
- ASSE 1011 listed
- Manufactured in compliance with ASSE 1011-95
- ISO 9001:2008 manufacturer



No.	Part	Material
1	3/4" MHT Cap	Brass ASTM B584, C89550
2	3/4" FHT Base	Brass ASTM B584, C89550
3	Securing Screw	Steel SAE 12L14
4	Flat Washer	Rubber NBR
5	Washer	Rubber NBR
6	Piston	Celcon M90
7	Spring	Stainless Steel AISI 304

Size IN	Part Number	Weight LB	A IN	B IN
1/2	0190167IIL	0.20	1.31	1.36

USA 800-766-0076

Fax 323-890-4456

www.smithcooper.com

Los Angeles, CA

Chicago, IL

Atlanta, GA

Vancouver, WA

Houston, TX