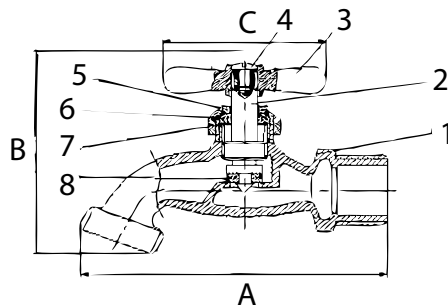


LEAD-FREE BRASS HOSE BIBB, MIP



- California AB1953 lead-free approved
- Meets federal Safe Water Drinking Water Act, lead-free requirement
- 125 lb. CWP
- NPT x 3/4" NHT
- Cast brass body



No.	Part	Material
1	Body	Cast Brass ASTM B-584, C89550
2	Stem	Cast Brass ASTM B-584, C89550
3	Handle	Brass Plate Zinc
4	Screw	Brass ASTM B-584, C27000
5	Packing Nut	Brass ASTM B-584, C37700
6	Packing Washer	Rubber (NBR)
7	Washer	Stainless Steel 304
8	Bibb Washer	Rubber (NBR)

Size IN	Part Number	Weight LB	A IN	B IN	C IN
1/2	0190160GL	0.36	2.76	2.09	3.74
3/4	0190160IL	0.41	2.76	2.09	3.74

USA 800-766-0076

Fax 323-890-4456

www.smithcooper.com

Los Angeles, CA

Chicago, IL

Atlanta, GA

Vancouver, WA

Houston, TX