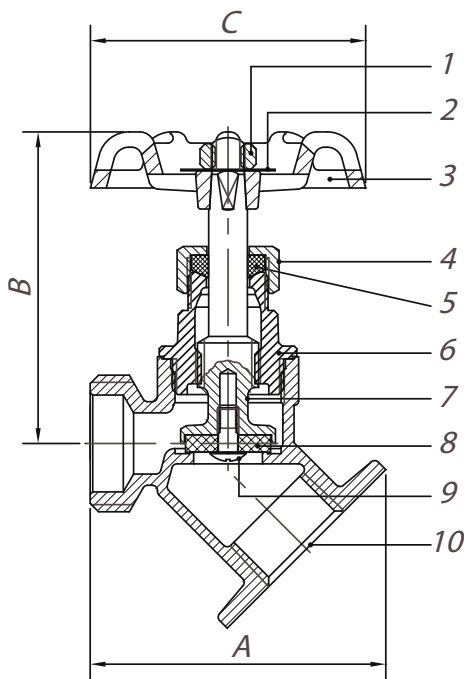




Series 0190112L
LEAD-FREE FLANGED BRASS SILLCOCK, FIP



- California AB1953 lead-free approved
- Meets federal Safe Water Drinking Water Act, lead-free requirement
- Cast brass
- NPT x 3/4" NHT
- Cast iron handle
- Complies with NSF 61.8 (low lead), premium grade



No.	Part	Material
1	Wheel Nut	Steel ASTM AISI-1010
2	Name Plate	Aluminium ASTM B209-1100
3	Hand-Wheel	Cast Iron ASTM A48 Class/NO.35
4	Packing Nut	Brass B16 C36000
5	Gland Packing	PTFE
6	Bonnet	Cast Brass B584-C89550
7	Stem	Cast Brass B584-C89550
8	Seat Packing	NBR
9	Seat Screw	Brass B134 C27000
10	Body	Cast Brass B584-C89550

USA 800-766-0076

Fax 323-890-4456

www.smithcooper.com

Los Angeles, CA

Chicago, IL

Atlanta, GA

Vancouver, WA

Houston, TX

Size IN	Part Number	Weight LB	A IN	B IN	C IN
1/2	0190112GL	0.50	1.10	2.52	2.13
3/4	0190112IL	0.55	1.10	2.52	2.13