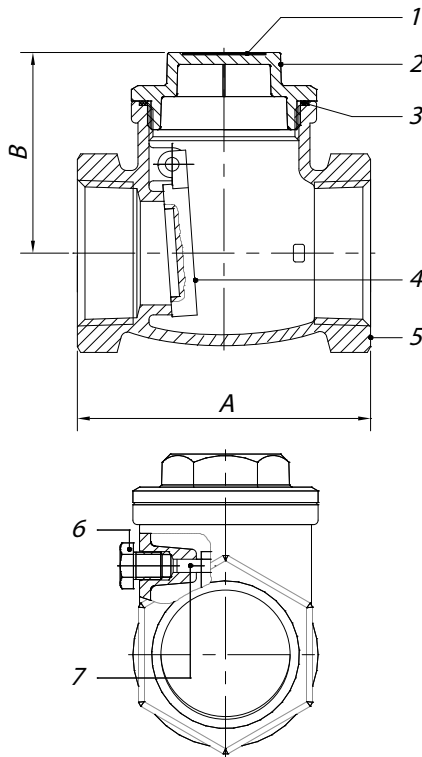


**BRASS SWING CHECK VALVE, THREADED**



- 200 lb. CWP, 125 lb. WSP
- Cast brass body
- Forged brass disc
- Certified to NSF/ANSI 61-8
- ISO 9001:2008 manufacturer

**Note:** Product contains brass which does not meet federal and state requirements for drinking water.



No.	Part	Material
1	Name Plate	Aluminium
2	Cap	Brass ASTM B584, C85700
3	Packing	Fibre "H"
4	Disc	Brass ASTM B584, C85700
5	Body	Brass ASTM B584, C85700
6	Bolt	Brass Alloy C36000
7	Pin	Brass Alloy C37700

Size IN	Part Number	Weight LB	A IN	B IN
3/8	01739191E	0.41	2.08	1.42
1/2	01739191G	0.41	2.08	1.42
3/4	01739191I	0.54	2.36	1.55
1	01739191K	0.74	2.62	1.77
1-1/4	01739191L	1.33	3.19	2.06
1-1/2	01739191M	1.65	3.54	2.16
2	01739191N	2.61	4.21	2.74
2-1/2	01739191P	4.50	5.14	3.10
3	01739191Q	6.60	5.77	3.80
4	01739191T	11.40	6.84	4.25

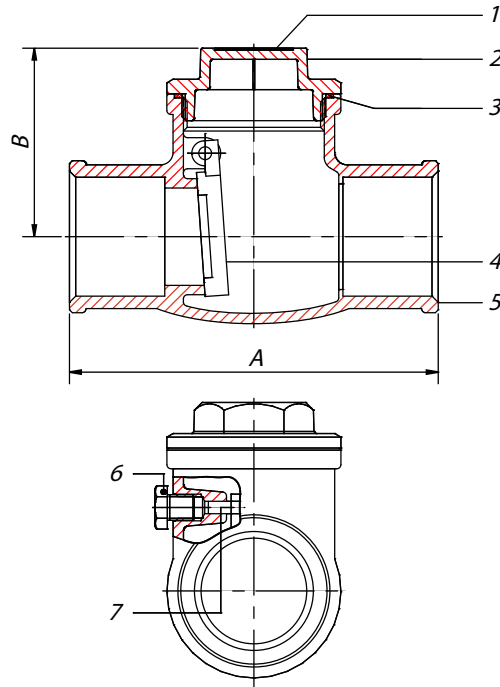
USA 800-766-0076  
 Fax 323-890-4456  
 www.smithcooper.com  
 Los Angeles, CA  
 Chicago, IL  
 Atlanta, GA  
 Vancouver, WA

**BRASS SWING CHECK VALVE, SWEAT**



- 200 lb. CWP, 125 lb. WSP
- Cast brass body
- Forged brass disc
- Certified to NSF/ANSI 61-8
- ISO 9001:2008 manufacturer

**Note: Product contains brass which does not meet federal and state requirements for drinking water.**



No.	Part	Material
1	Name Plate	Aluminium
2	Cap	Brass ASTM B584, C85700
3	Packing	Fibre "H"
4	Disc	Brass ASTM B584, C85700
5	Body	Brass ASTM B584, C85700
6	Bolt	Brass C36000
7	Pin	Brass C37700

Size IN	Part Number	Weight LB	A IN	B IN
1/2	01739192G	0.40	2.40	1.40
3/4	01739192I	0.63	3.15	1.50
1	01739192K	0.81	3.50	1.73
1-1/4	01739192L	1.30	4.15	2.07
1-1/2	01739192M	1.73	4.60	2.12
2	01739192N	2.64	5.47	2.67
2-1/2	01739192P	5.56	6.89	3.10
3	01739192Q	6.60	7.63	3.75

USA 800-766-0076  
 Fax 323-890-4456  
 www.smithcooper.com  
 Los Angeles, CA  
 Chicago, IL  
 Atlanta, GA  
 Vancouver, WA