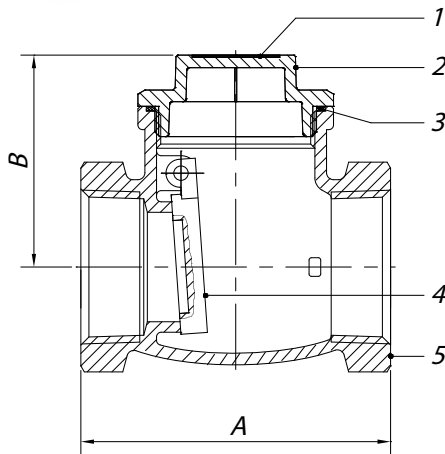


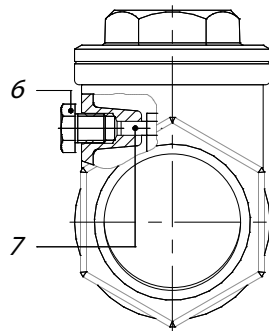
LEAD-FREE BRASS SWING CHECK VALVE, THREADED



- California AB1953 lead-free approved
- Meets federal Safe Water Drinking Water Act, lead-free requirement
- 200 lb. WOG/125 lb. WSP
- ANSI/NSF 61.8 approved
- Cast brass body
- Forged brass disc
- ISO 9001:2008 manufacturer



No.	Part	Material
1	Name Plate	Aluminium
2	Cap	Cast Brass Alloy C89550
3	Packing	Fibre "H"
4	Disc	Cast Brass Alloy C89550
5	Body	Cast Brass Alloy C89550
6	Screw	Brass ASTM B16-C36000
7	Pin	Brass ASTM B16-C36000



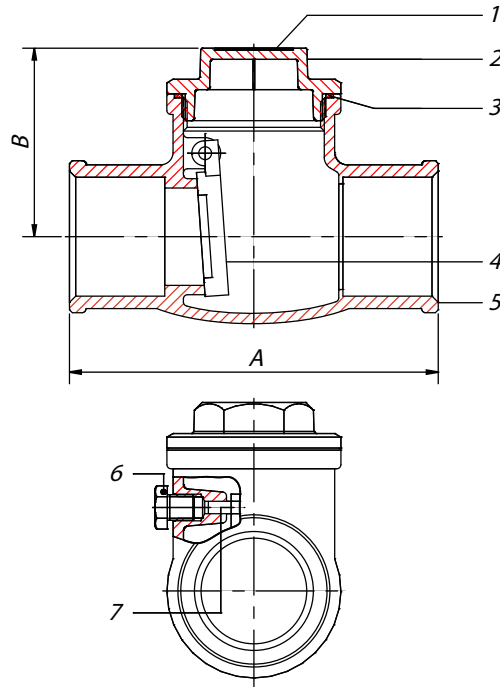
Size IN	Part Number	Weight LB	A IN	B IN
1/2	01739191GL	0.41	2.05	1.50
3/4	01739191IL	0.54	2.32	1.58
1	01739191KL	0.74	2.72	1.77
1-1/4	01739191LL	1.33	3.11	2.01
1-1/2	01739191ML	1.65	3.51	2.17
2	01739191NL	2.61	4.29	2.64
2-1/2	01739191PL	4.5	5.14	3.10
3	01739191QL	6.6	5.77	3.80
4	01739191TL	11.4	6.84	4.25

USA 800-766-0076
Fax 323-890-4456
www.smithcooper.com
Los Angeles, CA
Chicago, IL
Atlanta, GA
Vancouver, WA

LEAD-FREE BRASS SWING CHECK VALVE, SWEAT



- California AB1953 lead-free approved
- Meets federal Safe Water Drinking Water Act, lead-free requirement
- 200 lb. WOG/125 lb. WSP
- Cast brass body
- Forged brass disc
- ANSI/NSF 61.8 approved
- ISO 9001:2008 manufacturer



No.	Part	Material
1	Name Plate	Aluminium
2	Cap	Cast Brass Alloy C89550
3	Packing	Fibre "H"
4	Disc	Cast Brass Alloy C89550
5	Body	Cast Brass Alloy C89550
6	Screw	Brass ASTM B16-C36000
7	Pin	Brass ASTM B16-C36000

Size IN	Part Number	Weight LB	A IN	B IN
1/2	01739192GL	0.40	2.09	1.50
3/4	01739192IL	0.63	2.96	1.58
1	01739192KL	0.81	3.62	1.77
1-1/4	01739192LL	1.30	4.06	2.01
1-1/2	01739192ML	1.73	4.53	2.17
2	01739192NL	2.64	5.48	2.64
2-1/2	01739192PL	5.56	6.89	3.10
3	01739192QL	6.60	7.63	3.75

USA 800-766-0076

Fax 323-890-4456

www.smithcooper.com

Los Angeles, CA

Chicago, IL

Atlanta, GA

Vancouver, WA