

USA 800-766-0076  
 Fax 323-890-4456  
 www.smithcooper.com  
 Los Angeles, CA  
 Chicago, IL  
 Atlanta, GA  
 Vancouver, WA  
 Houston, TX

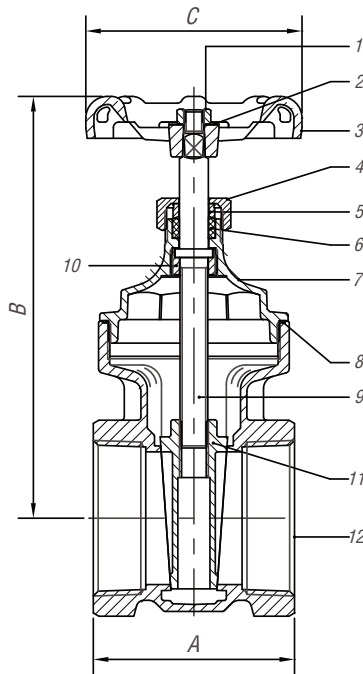
## Series 01718501

# BRASS GATE VALVE, THREADED



- 200 lb. CWP, 125 lb. WSP
- Full port (1/4" to 3")
- Cast brass
- Screwed in bonnet
- Non-rising brass stem
- Approved to ANSI/NSF 61-8
- ISO 9001:2008 manufacturer

**Note:** Product contains brass which does not meet federal and state requirements for drinking water.



No.	Part	Material
1	Wheel Nut	Hot Rolled SAE 1010R
2	Name Plate	Aluminium
3	Hand-Wheel	Cast Iron
4	Packing Nut	Brass B16 C36000
5	Gland Ring	Brass B16 C36000
6	Gland Packing	PTFE
7	Bonnet	Brass B584 C85700
8	Packing	Fibre
9	Stem	Brass B16 C36000 (1/4" to 2") Brass B584 C85700 (2-1/2" to 4")
10	Lock Nut	Brass B16 C36000
11	Disc	Brass B584 C85700
12	Body	Brass B584 C85700

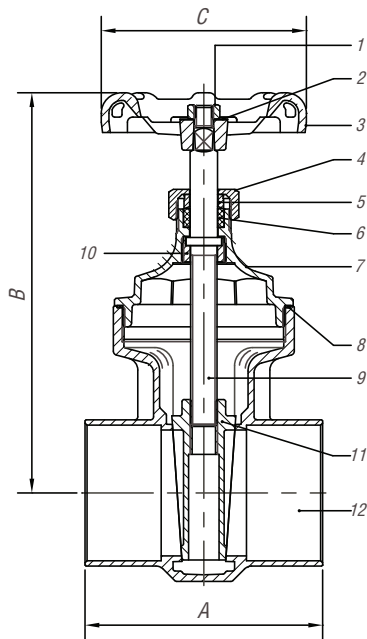
Size IN	Part Number	Weight LB	A IN	B IN	C IN
1/4	01718501C	0.5	1.71	2.91	2.09
3/8	01718501E	0.5	1.71	2.91	2.09
1/2	01718501G	0.6	1.71	2.91	2.09
3/4	01718501I	0.8	1.81	3.31	2.13
1	01718501K	1.1	2.13	3.90	2.48
1-1/4	01718501L	1.8	2.25	4.61	2.72
1-1/2	01718501M	2.2	2.44	5.08	3.15
2	01718501N	3.3	2.70	5.99	3.53
2-1/2	01718501P	6.4	3.70	7.88	3.95
3	01718501Q	9.7	4.02	8.83	4.37
4	01718501T	17.0	4.53	9.89	5.00

### BRASS GATE VALVE, SWEAT



- 200 lb. CWP, 125 lb. WSP
- Cast brass
- Non-rising brass stem
- Approved to ANSI/NSF 61-8
- ISO 9001: 2008 manufacturer

**Note: Product contains brass which does not meet federal and state requirements for drinking water.**



No.	Part	Material
1	Wheel Nut	Hot Rolled SAE 1010R
2	Name Plate	Aluminium
3	Hand-Wheel	Cast Iron
4	Packing Nut	Brass B16 C36000
5	Gland Ring	Brass B16 C36000
6	Gland Packing	PTFE
7	Bonnet	Brass B584 C85700
8	Packing	Fibre
9	Stem	Brass B16 C36000 (1/4" to 2") Brass B584 C85700 (2-1/2" to 4")
10	Lock Nut	Brass B16 C36000
11	Disc	Brass B584 C85700
12	Body	Brass B584 C85700

Size IN	Part Number	Weight LB	A IN	B IN	C IN
3/8	01718502E	0.5	1.69	2.91	2.09
1/2	01718502G	0.6	1.69	2.91	2.09
3/4	01718502I	0.8	2.32	3.31	2.13
1	01718502K	1.1	2.72	3.90	2.48
1-1/4	01718502L	1.8	2.94	4.61	2.72
1-1/2	01718502M	2.2	3.33	5.08	3.15
2	01718502N	3.3	3.98	5.99	3.53
2-1/2	01718502P	6.4	4.61	7.88	3.98
3	01718502Q	9.7	5.32	8.83	4.37

USA 800-766-0076

Fax 323-890-4456

www.smithcooper.com

Los Angeles, CA

Chicago, IL

Atlanta, GA

Vancouver, WA

Houston, TX