

► **Code Number**

3326009

► **Description**

Below Deck Mechanical Water Mixing Valve for use with a single Sloan Optima® faucet.

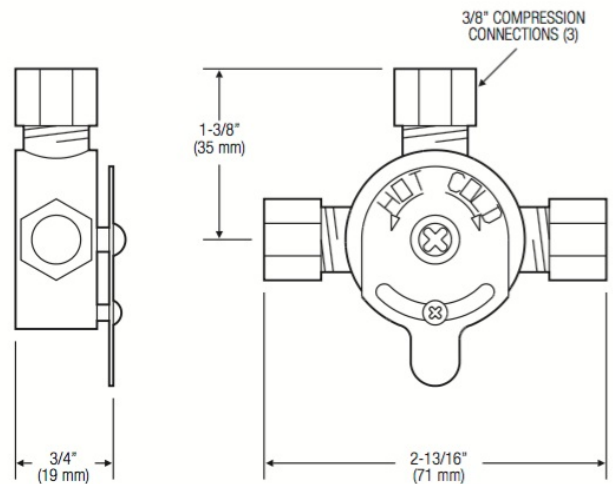
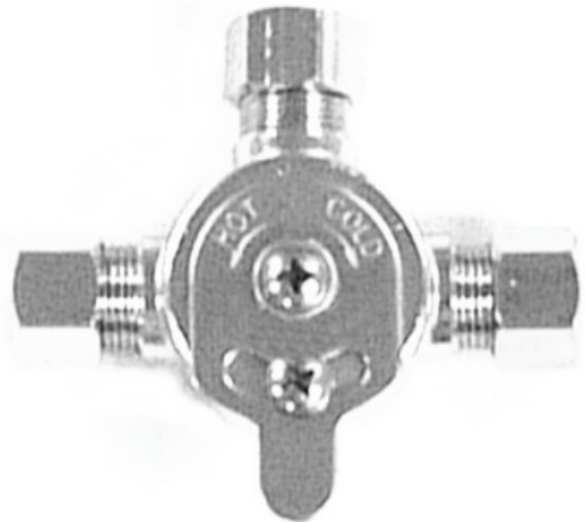
► **Specifications**

- Mechanical Water Mixing Valve with the following features:
- Designed to install under the lavatory
- Installs in place of the Tee fitting supplied with the faucet prior to the solenoid valve
- Equipped with integral check valves at inlets
- Compression sleeves and nuts included
- Lever dial adjustment with lock screw: COLD-HOT
- Brass construction
- Polished Chrome
- 3/8" compression connection on inlets and outlet

► **Flow Capacities**

CAUTION! This is a mechanical hot and cold mixing valve only! It DOES NOT provide automatic control of water temperature. Hot water in excess of 110°F (43°C) is dangerous and CAN CAUSE SCALDING!

SYSTEM PRESSURE						
PSI	20	30	40	50	60	70
BAR	1.4	2.1	2.8	3.4	4.2	4.9
GPM	1.75	2.25	2.75	3.0	3.5	4.0
Lpm	6.62	8.51	10.40	11.35	13.25	15.14



► **Compliance & Certifications**



This space for Architect/Engineer Approval