

► **Code Number**

0326045PK

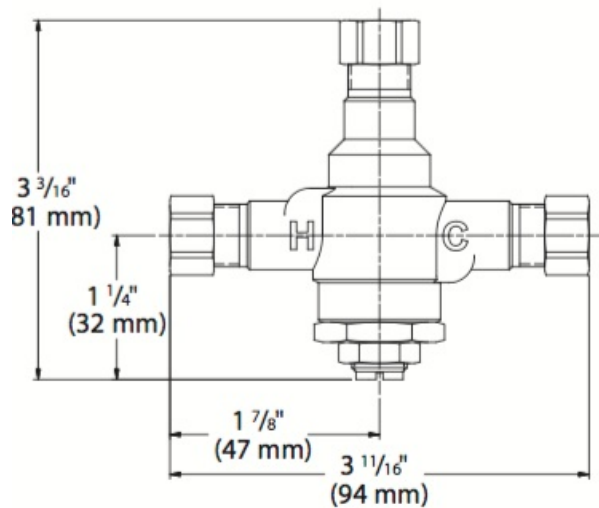
► **Description**

Below Deck Thermostatic Water Mixing Valve for use with a single Sloan Optima® faucet.

► **Specifications**

Thermostatic Water Mixing Valve with the following features:

- Installs in place of the Tee fitting supplied with the faucet prior to the solenoid valve
- Equipped with integral check valves at inlets
- Designed for under-the-lavatory applications where the outlet temperature of hot water must be controlled for safe, economic use.
- Designed to quickly sense and compensate for temperature fluctuations induced by water temperature and pressure changes in the supply line
- Rugged construction features solid brass valve body and corrosion resistant internal components
- Water temperature adjustment stem with lock nut to prevent tampering
- 3/8" compression connection on inlets and outlet
- Certified to the performance standards of ASSE 1070 IAPMO cUPC and CSA B125
- Capacity — standard: 3.0 gpm (11.0 Lpm) †
- Maximum Hot Water Supply Temperature: 180° F (82° C)
- Minimum Hot Water Supply Temperature: 5° F (2.8° C) above set point
- Maximum Operating Pressure: 125 psig (862kPa)
- Minimum flow — standard: 0.25 gpm (1.0 Lpm)
- Factory set: 105° F (40° C)
- † At 45 PSI differential (310 kPa), with hot water supply between 140°-180° F (60°-82° C).



► **Compliance & Certifications**

Complies with ASSE 1070 requirements.



This space for Architect/Engineer Approval

