

PUSH GASKET CLOSET FLANGE

» 888 SERIES

PushTite™

SPECIFICATION

Sioux Chief 888 series PushTite closet flange shall be used where necessary in drainage systems. Flange shall include holes for securing to floor and optional notches or slots for attachment of closet bolts. Inner diameter of flange outlet shall be at least 2½" and have smooth inner walls with no obstructions or ledges. Engineered elastomer flange gasket shall provide 3 points of contact to ensure a positive seal inside 3" nominal DWV pipe. Always fasten closet flanges to the floor.

MATERIALS

Flange body: White or black ABS

Gasket: Chemical-resistant, engineered elastomer

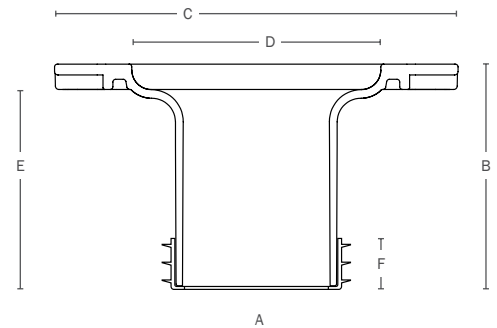
DIMENSIONS

A: Gasket seal	Inside 3" DWV
B: Overall height	3⅞"
C: Flange diameter	7"
D: Flange opening diameter	4¼"
E: Tailpiece height	3½"
F: Gasket height	⅞"

ITEM # SUBMITTED _____
JOB NAME _____
LOCATION _____
ENGINEER _____
CONTRACTOR _____
PO# _____ TAG _____



888-GPM



Create Item Number

888-A

e.g. **888-GPM:** Inside 3" Sch. 40 PushTite closet flange - white for PVC

FLANGE BODY A

GAM = Black ABS flange body

GPM = White ABS flange body