

# COPPER CTS TUBE STRAP

» 505 SERIES

Square O Strap™ Solder Strap™

ITEM # SUBMITTED	_____
JOB NAME	_____
LOCATION	_____
ENGINEER	_____
CONTRACTOR	_____
PO#	_____ TAG _____

## SPECIFICATION

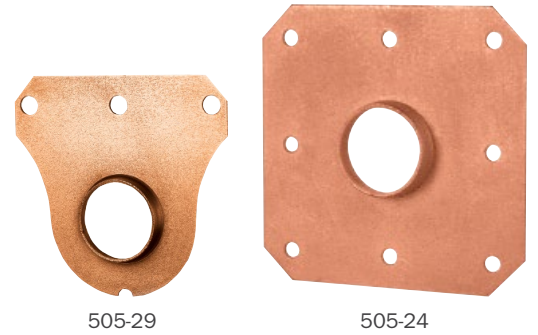
Sioux Chief 505 series copper eared tube strap shall be used where necessary to support copper CTS in piping systems. Strap can be fastened directly to studs or joists or secured to either copper-plated or galvanized-plated brackets when position of the tube falls within the stud or joist cavity. Pre-drilled, 1/8" diameter mounting holes are provided and designed to align with most conventional support brackets. Strap is to be made of 17-gauge copper plated steel. Strap can also be staked onto preformed copper fittings such as Sioux Chief's stub out elbow #630X246E or can be used as a bottom plate to secure vertical risers.

## MATERIALS

**Strap:** 17-gauge copper-plated steel

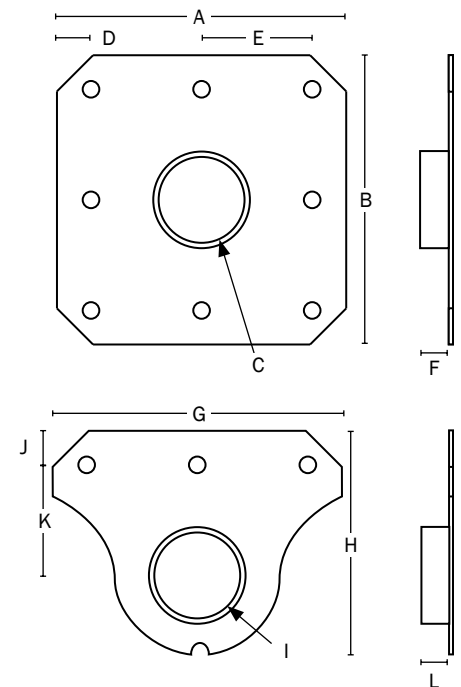
## INSTALLATION

Mount strap directly to stud, joist or bracket using a #6-#10 sheet metal screw. Once strap is secured, install copper tube through hole. Apply flux and solder strap to tubing. Heat tube not strap.



## DIMENSIONS

Square O Strap	1/2" CTS	3/4" CTS	1" CTS
A: width	2.125"	2.125"	2.125"
B: height	2.125"	2.125"	2.125"
C: hole diameter	0.633"	0.883"	1.133"
D: hole spacing 1	0.25"	0.25"	0.25"
E: hole spacing 2	0.8125"	0.8125"	0.8125"
F: depth	0.22"	0.22"	0.22"
Solder Strap	1/2" CTS	3/4" CTS	1" CTS
G: width	1.906"	1.906"	1.906"
H: height	1.844"	1.844"	2.096"
I: hole diameter	0.633"	0.883"	1.133"
J: hole spacing 1	0.25"	0.25"	0.25"
K: hole spacing 2	0.9375"	0.9375"	1.064"
L: depth	0.22"	0.22"	0.22"



### Create Item Number

#### 505-AB

e.g. 505-34: 3/4" CTS Square O Strap

#### CTS SIZE A

- 2 = 1/2" diameter CTS
- 3 = 3/4" diameter CTS
- 4 = 1" diameter CTS

#### TYPE B

- 4 = Square O Strap
- 9 = Solder Strap