

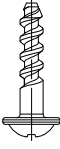


# SV

9340.310, .320, .340, .350, .370  
 9340.380, .390, .400, .410, .430  
 9340.450, .460, .470, .700, .710  
 9340.720, .730, .740, .750, .760  
 9340.770, .780, .790



Raum für Verpackungsdatum  
 Area for date of packing  
 (MMJJTT / MMYDDD)

|   |   |
|---|---|
| 1 SV OM-Adapter mit Anschlussleitungen<br>60 mm Schienenmittenabstand                           | <br><b>2x</b> <b>2,5x8</b> |
| 1 SV OM adaptor with connection cables<br>60 mm busbar centre distance                          |   |
| 1 SV Adaptateur OM, avec câbles de raccordement<br>60 mm d'écartement entre les axes des barres |   |
| <b>SV 9340.370, .550, .760, .770</b>  |   |

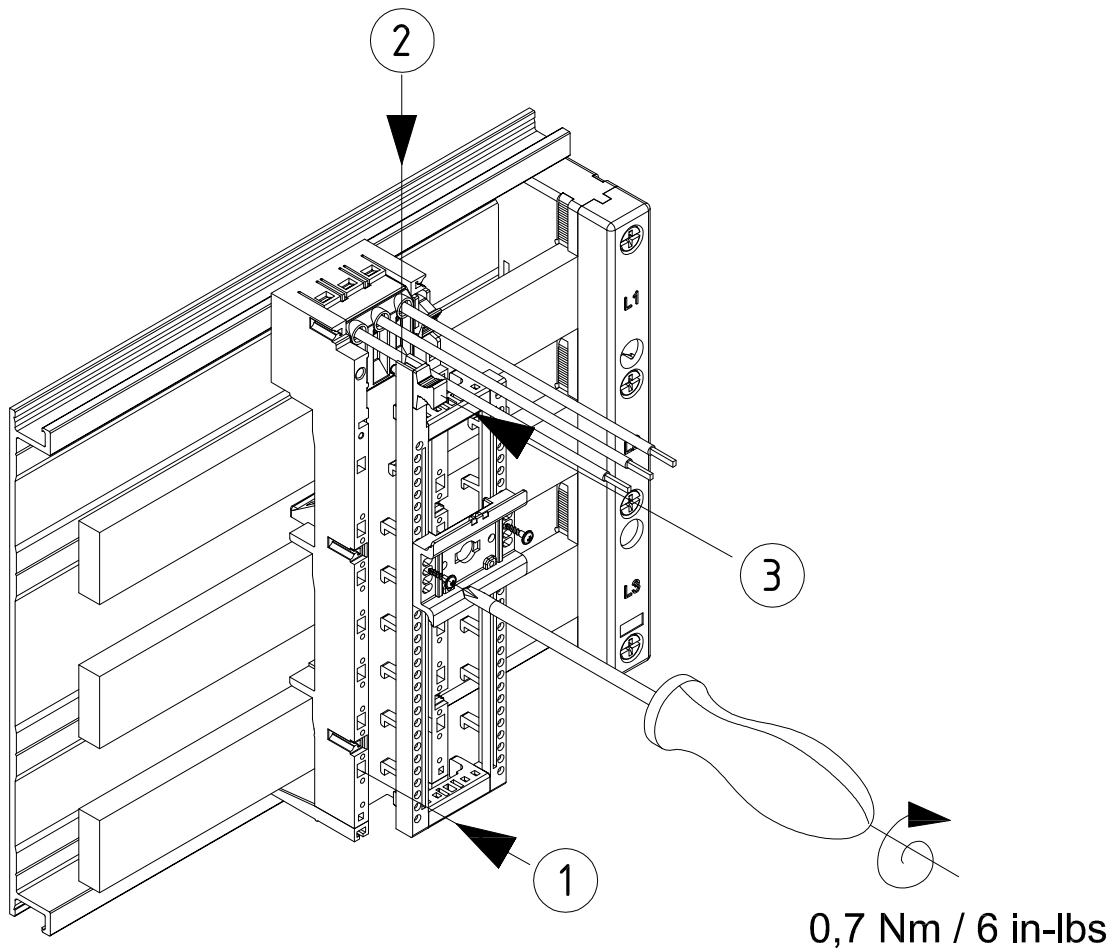
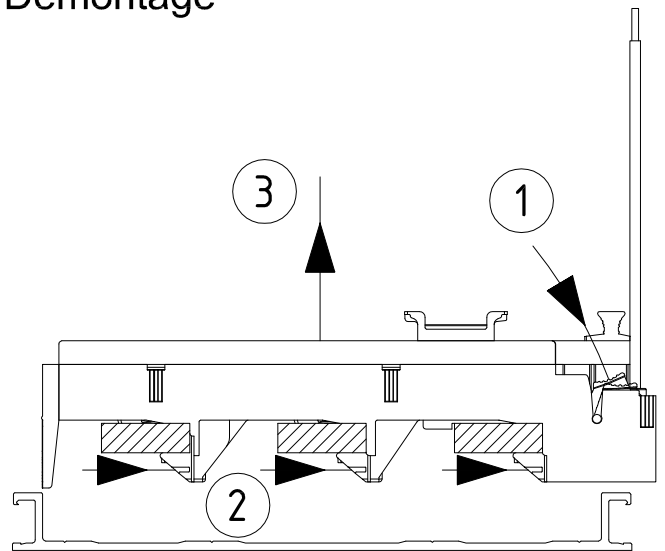
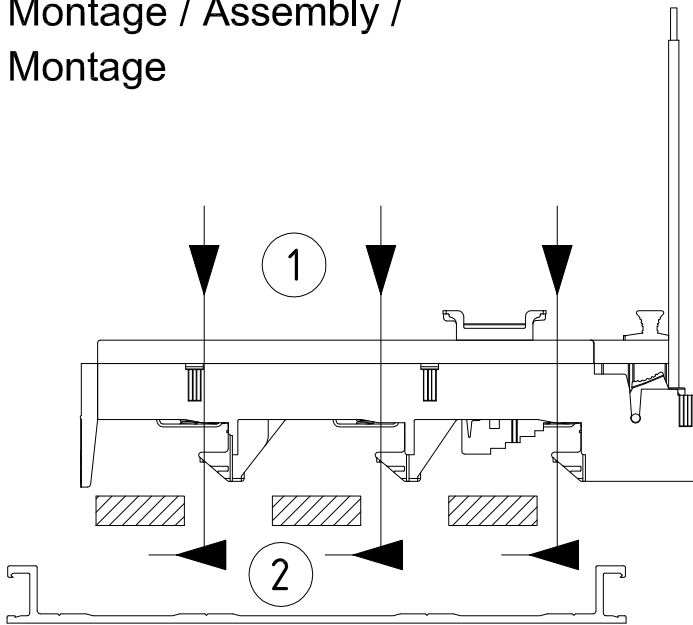
Zchg.-Nr. / No. of dwg. : A3983207SV  
 Versandbeutel-Nr. / No. of accessory bag : 80760972      Lieferant-Nr. / No. of supplier :

|  |   |   |
|--|---|---|
| <b>Article No.</b>   | <b>SV9340.310, .320, .340, .350, .370, .380, .390, .400, .410, .760, .770</b> |   |
| Suitable for use on a circuit capable of delivering not more than SCCR symmetrical amperes | Maximum voltage   | Maximum condition when protected by   |
| [kA]   | [V]   |   |
| 65   | 600   | Class J 30A Fuses   |
| 50   | 600   | A) Class K5 60A Fuses<br>B) Combination motor controller (UL category NKJH) rated up to 27A, having an interrupting rating not less than 50kA symmetrical amperes |
| <b>Article No.</b>   | <b>SV9340.410, .430, .450, .460, .470, .700, .710, .720, .730, .740, .750</b> |   |
| Suitable for use on a circuit capable of delivering not more than SCCR symmetrical amperes | Maximum voltage   | Maximum condition when protected by   |
| [kA]   | [V]   |   |
| 65   | 600   | Class J 60A Fuses   |
| 30   | 600   | Class K5 60A Fuses  |
| 30   | 480   | Combination motor controller (UL category NKJH) rated up to 63A, having an interrupting rating not less than 50kA symmetrical amperes                             |

For further information: [www.rittal.com](http://www.rittal.com)

Montage / Assembly /  
Montage

Demontage / Disassembly /  
Démontage



A: 5 mm => 10 mm

A: 10 mm => 5 mm

