



TS
8800.870

Raum für Verpackungsdatum
Area for date of packing
(MMJJTT / MMYDD)

8 x



2 x

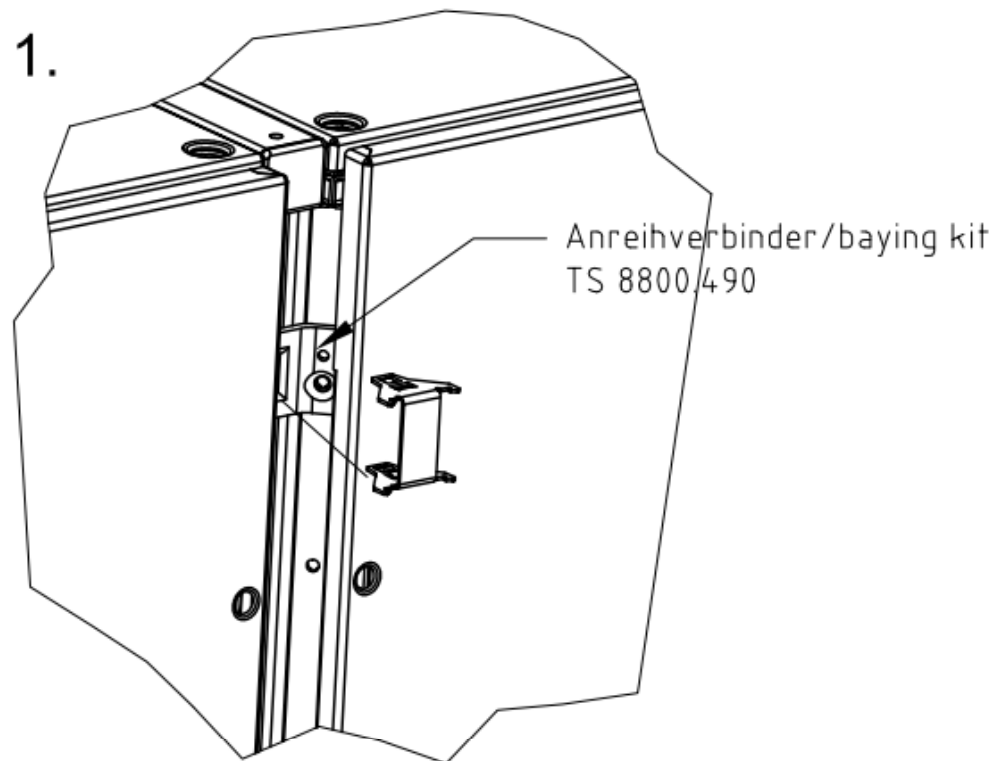


2197 lg.

Zchnng.-Nr. / No. of dwg. : A4651800TS
Versandbeutel-Nr. / No. of accessory bag : -

Lieferanten-Nr. / No. of supplier :

1.



2.

