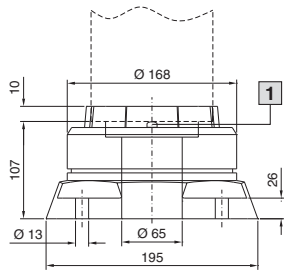


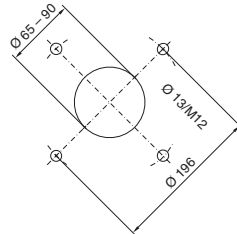
### Top-mounted joint CP 120

#### Vertical outlet

CP 6212.720



Mounting cut-out



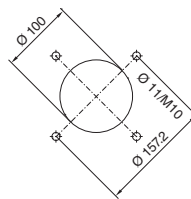
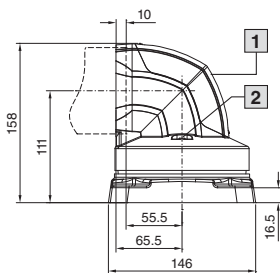
1 Screw for adjusting rotatability

### Top-mounted joint CP 60/120/180

#### Horizontal outlet

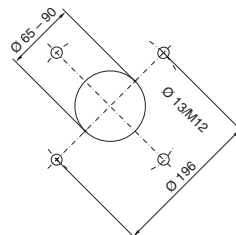
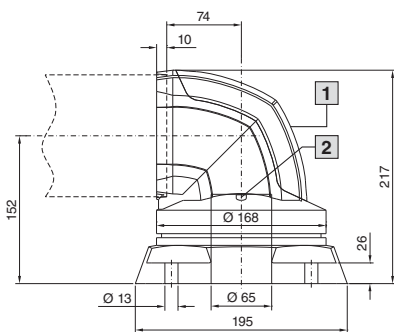
CP 6206.700

Mounting cut-out



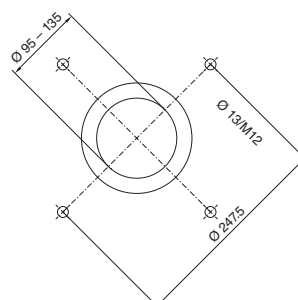
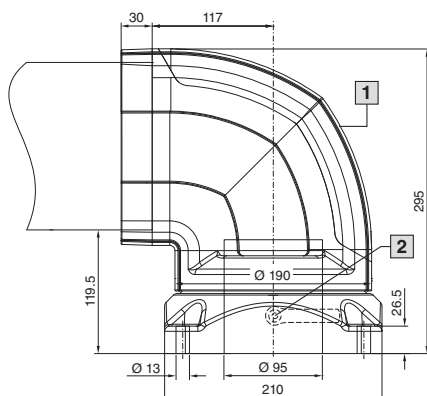
CP 6212.700

Mounting cut-out



CP 6218.700

Mounting cut-out



1 Removable cover  
2 Screw for adjusting rotatability

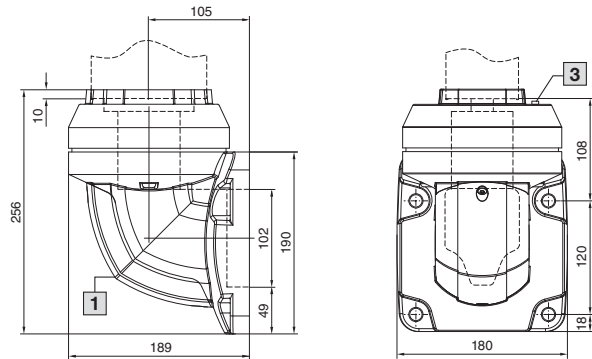
# Enclosures

## Support arm system CP 60/120/180

### Wall-mounted hinge CP 120

Vertical outlet

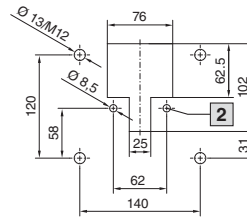
CP 6212.760



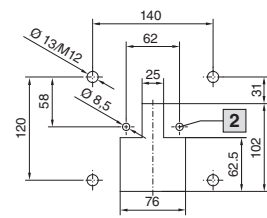
- 1 Removable cover
- 2 For attachment using pins
- 3 Screw for adjusting rotatability

### Mounting cut-out

#### Top-mounted



#### Suspended



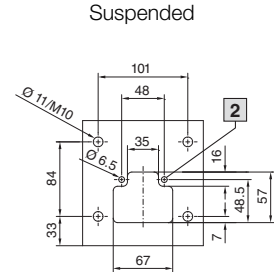
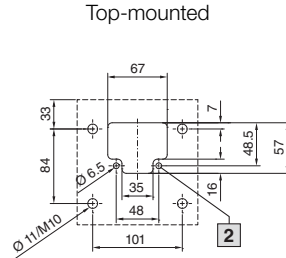
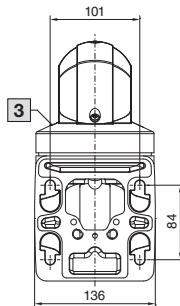
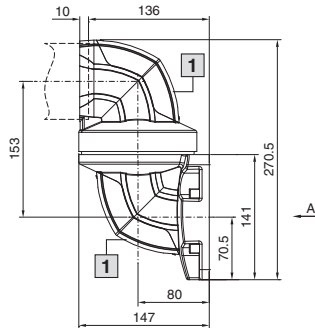
### Wall-mounted hinge CP 60/120/180

#### Horizontal outlet

CP 6206.740

View A

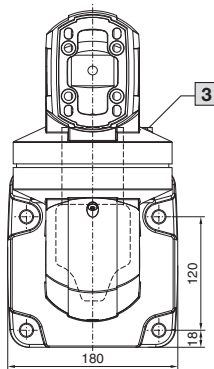
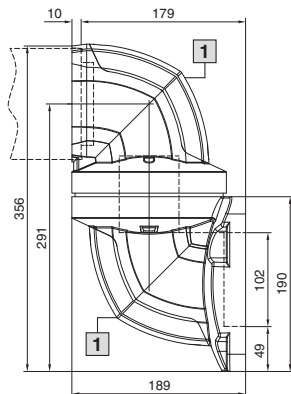
Mounting cut-out



- 1 Removable cover
- 2 For attachment using pins
- 3 Screw for adjusting rotatability

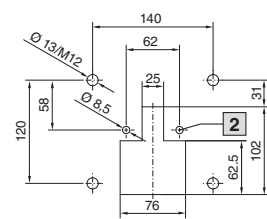
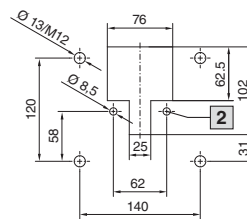
CP 6212.740

Mounting cut-out



Top-mounted

Suspended

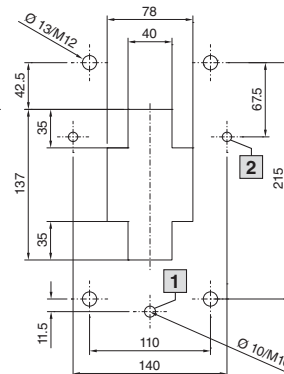
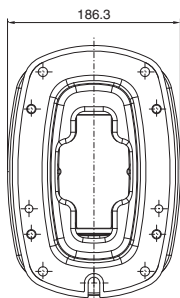
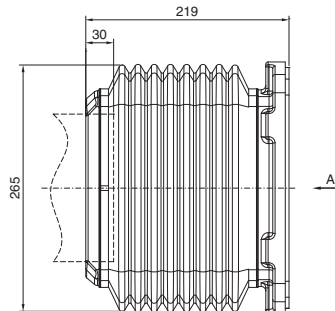


- 1 Removable cover
- 2 For attachment using pins
- 3 Screw for adjusting rotatability

CP 6218.740

View A

Mounting cut-out



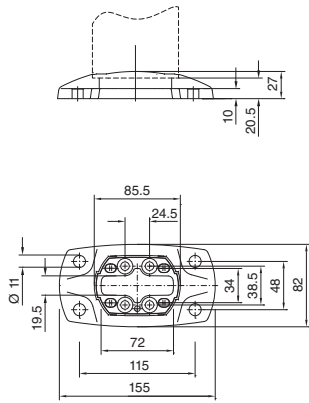
- 1 Removable cover
- 2 For attachment using pins

# Enclosures

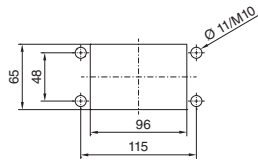
## Support arm system CP 60/120/180

### Wall/base mounting bracket CP 60/120/180, small

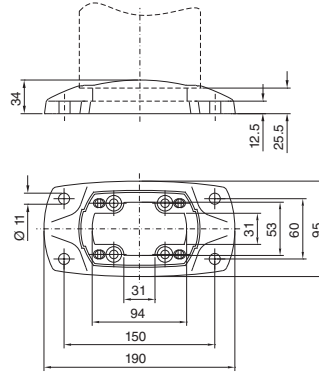
CP 6206.820



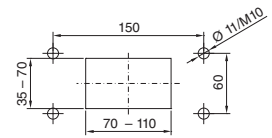
Mounting cut-out



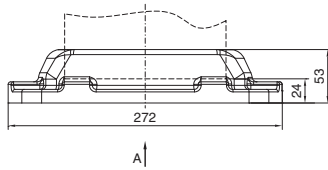
CP 6212.820



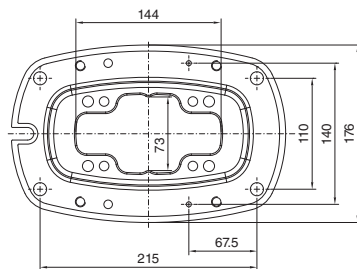
Mounting cut-out



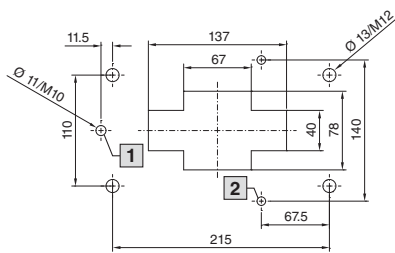
CP 6218.820



View A



Mounting cut-out

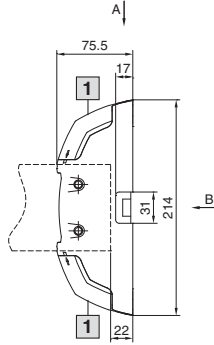
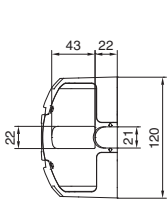


- 1 Mounting aid
- 2 For attachment using pins

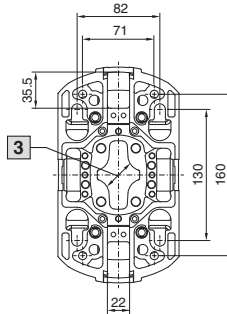
### Wall/base mounting bracket CP 60/120, large

CP 6206.800

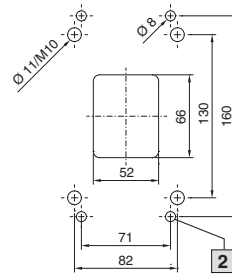
View A



View B



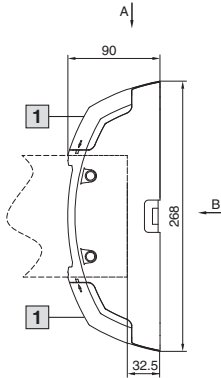
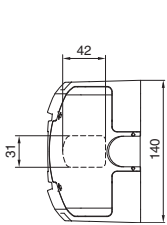
Mounting cut-out



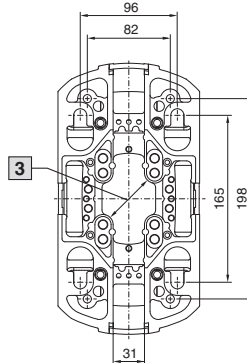
- 1** Removable cover
- 2** For attachment using pins
- 3** Max. Ø 52 mm

CP 6212.800

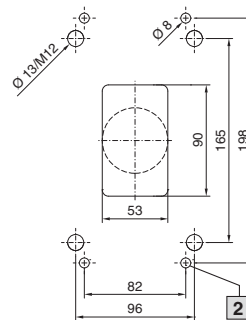
View A



View B

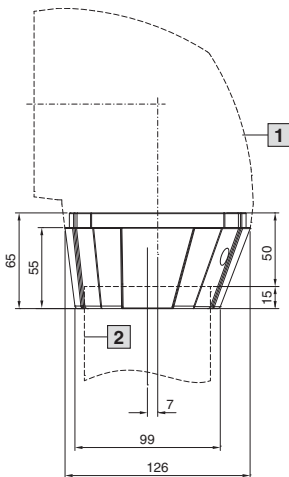


Mounting cut-out



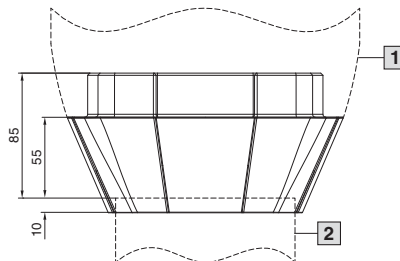
### Adaptor for support arm combination

CP 120/60  
CP 6212.640



- 1** Connection of CP 120 components  
CP 6212.600, CP 6212.620
- 2** Support section, CP 60

CP 180/120  
CP 6218.640



- 1** Connection of CP 180 components  
CP 6218.600, CP 6218.620, CP 6218.740
- 2** Support section, CP 120